



# FMO2500

## FOAM MARKING SYSTEM

### Standard 25 Gallon Foam Marker

**Features:**

- 25 gallon, high density poly tank
- Wet/Dry knob for on-the-go adjustment
- Long-life molded rubber boots
- Disconnect boots for "Strip Foaming"
- Standard with 100' of 1/2" foam hose
- Open-flow system means easy tank mixing
- End-line "foam enhancing" chambers for thicker foam
- 4 - 5/16" molded-in lugs in back of tank for easy mounting
- Lighted control box with left/right switch & indicator lights
- 20' break-away harness (10' x 10')
- Molded-in component housing

**Specifications:**

Capacity: 25 Gallon  
 Power Source: 12 Volt  
 Amperage Use: Switched Left - 12 Amps. / Switched Right - 13.5 Amps.  
 Running Time per Fill: 8.03 hours  
 Dimensions: Width: 22" / Depth: 14" / Height: 31"  
 Drop Rate: 14 drops per minute / 370 gallons per hour (by volume)



Part#	Description	Price
FMO2500	25 Gallon Standard System	\$3,350.06



# HO-FMO2500

## HIGH OUTPUT FOAM MARKING SYSTEM

### High-Output 25 Gallon Foam Marker

**Features:**

- 25 gallon, high density poly tank
- Wet/Dry knob for on-the-go adjustment
- Long-life molded rubber boots
- Disconnect boots for "Strip Foaming"
- Standard with 100' of 3/4" foam hose
- Open-flow system means easy tank mixing
- End-line "foam enhancing" chambers for thicker foam
- 4 - 5/16" molded-in lugs in back of tank for easy mounting
- Lighted control box with left/right switch & indicator lights
- 20' break-away harness (10' x 10')
- Molded-in component housing

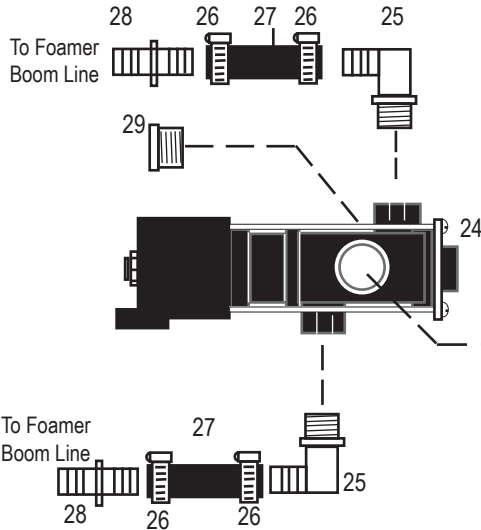
**Specifications:**

Capacity: 25 Gallon  
 Power Source: 12 Volt  
 Amperage Use: Switched Left - 19 Amps. / Switched Right - 20.5 Amps.  
 Running Time per Fill: 4.5 hours  
 Dimensions: Width: 22" / Depth: 14" / Height: 31"  
 Drop Rate: 17 drops per minute /  
 528 gallons per hour (by volume)



Part#	Description	Price
HO-FMO2500	25 Gallon High Output System	\$3,613.92

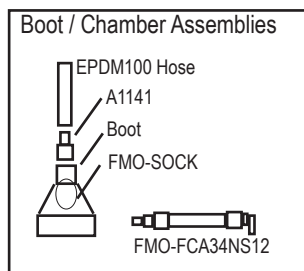
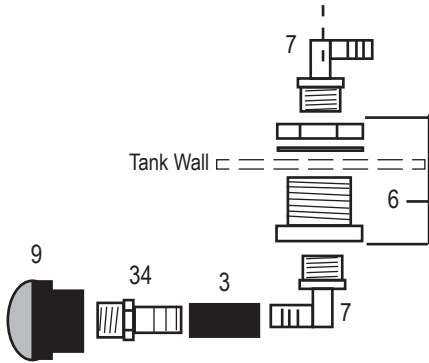
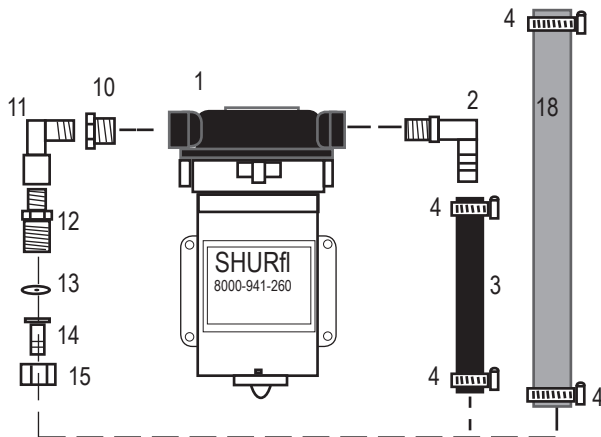
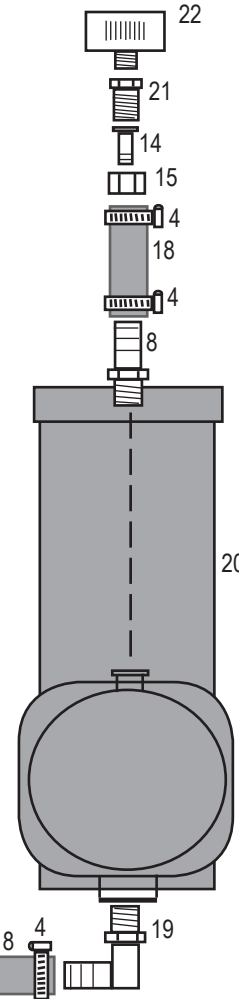
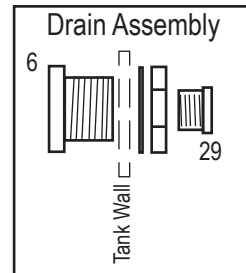
**CATALOG IS LIST PRICE  
PLEASE APPLY DISCOUNT**



**CATALOG IS LIST PRICE  
PLEASE APPLY DISCOUNT**

**FMO2500  
FOAM MARKING SYSTEM**

**PARTS BREAKDOWN**



1	8000-941-260	Shurflo 12 olt	\$209.02
2	EL3812	3/8" Npt x 1/2 Barb	\$1.78
3	EPDM12	1/2" Rubber Hose	\$1.73
4	HC38	3/8" Clamp	\$1.01
5	EL3438	3/4" Npt x 3/8" Barb El	\$2.46
6	NORFITT34	3/4" Tank Fitting Assm.	\$21.42
7	EL3412	3/4" Npt x 1/2 Barb El	\$2.44
8	A1838	3/8" Npt x 3/8" Barb	\$0.94
9	RVSTR38	3/8" Strainer	\$14.82
10	RB3814	Rdcr. Bushing 3/8" x 1/4"	\$4.66
11	SE14	1/4" Street Elbow	\$4.62
12	1/4TT-NYB	1/4" Female Nozzle Body	\$3.50
13	CP4916-31	Orifice Plat	\$4.01
14	K840038	3/8" Hose Shank	\$1.40
15	NC	Nozzle Cap	\$0.91
16	11750-PP-5	Check Valve	\$7.18
17	NBI38	3/8" Straight Nozzle Body I	\$2.02
18	BVT38	3/8" Braided Vinyl Tubing	\$1.06
19	EL1838	1/8" Npt x 3/8" Barb El	\$1.66
20	FMO-COMP	Thomas Air Comprsr. / Std	\$806.58
21	1/4T-NYB	Male Adapter	\$3.53
22	FMO-COMP-CF	Compressor Filter	\$32.91
23	YB38	3/8" Y Barb	\$6.14
24	26324-144F	Solenoid Valve	\$227.89
25	EL1212	1/2" NPT x 1/2" Barb	\$1.85
26	HC12	1/2" Clamp	\$1.58
27	EPDM12	1/2" Rubber Hose	\$1.73
28	TM1200	Hose Connector 1/2"	\$1.08
29	F3400	3/4" Pipe Plug	\$4.76
30	SOL25FMT	25 Gallon Foamer Tank	\$313.79
31	FMO-DOOR	Door Kit with Screws Etc.	\$51.55
32	FMO-MP-NS	Internal Mount Plate	\$31.72
34	A3812	Fitting	\$1.04