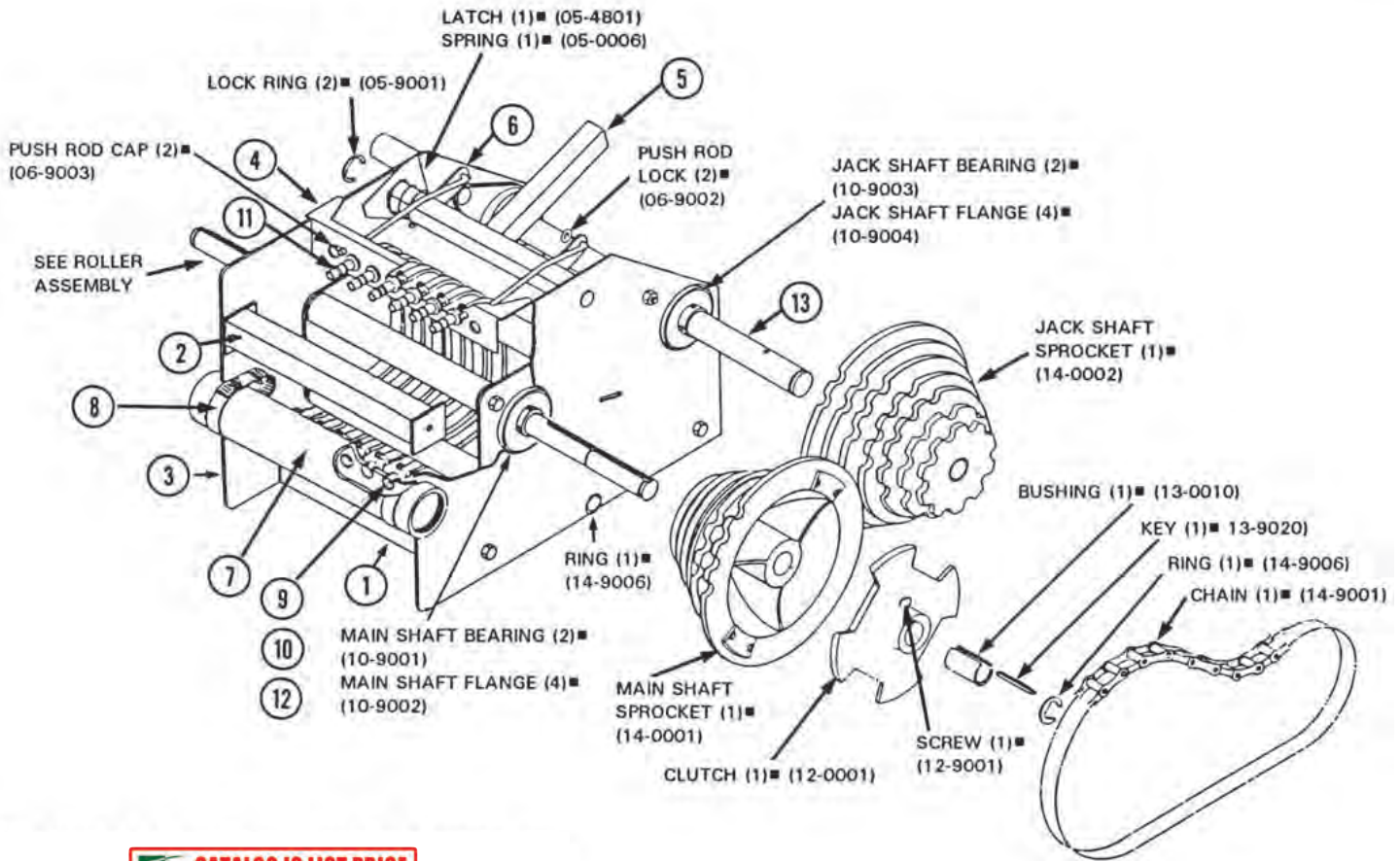




Standard Squeeze Tube Pump Replacement Parts



**CATALOG IS LIST PRICE
PLEASE APPLY DISCOUNT**

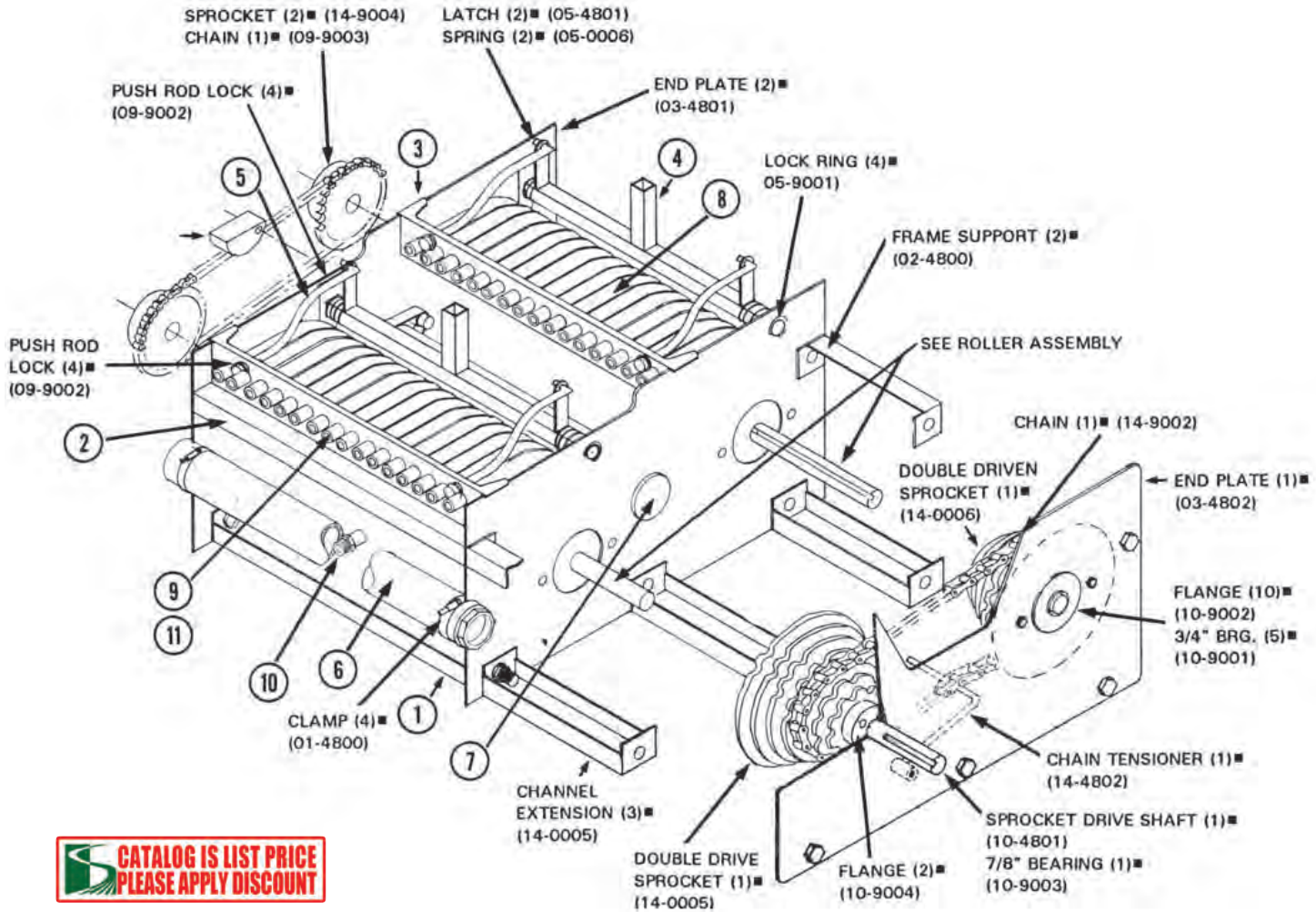
Item#	Description	24B-1		16L		16B-1		12L		12B-1		8L		8B-1	
		Part#	Price	Part#	Price	Part#	Price	Part#	Price	Part#	Price	Part#	Price	Part#	Price
1	Base Channel (2)	01-2410	\$48.62	01-1620	\$48.03	01-1610	\$40.14	01-1220	\$44.64	01-0820	\$33.41	01-0820	\$33.41	01-0810	\$31.06
2	Frame End Support	02-2410	\$68.98	02-1620	\$71.47	02-1610	\$52.90	02-1220	\$72.59	02-0820	\$52.12	02-0820	\$52.12	02-0810	\$58.82
3	Frame End Plate (2)	03-2410	\$81.99	03-2410	\$81.99	03-1610	\$80.62	03-2410	\$81.99	03-1610	\$80.62	03-1610	\$80.62	03-1610	\$80.62
4	Outlet Fitting Rack	04-2410	\$74.20	04-1620	\$78.67	04-1610	\$73.18	04-1220	\$74.47	04-1210	\$68.31	04-0820	\$63.72	04-0810	\$55.81
5	Tube Tension Rack	05-2410	\$89.72	05-1620	\$108.13	05-1610	\$83.98	05-1220	\$133.61	05-1210	\$138.96	05-0820	\$79.63	05-0810	\$105.11
6	Push Rod (2)	06-0011	\$60.65	06-0021	\$41.56	06-0011	\$60.65	06-0021	\$41.56	06-0011	\$60.65	06-0021	\$41.56	06-0011	\$60.65
7	Supply Manifold	07-2410	\$188.68	07-1620	\$180.63	07-1610	\$127.68	07-1220	\$155.06	07-1210	\$133.86	07-0820	\$136.31	07-0810	\$121.26
8	Manifold Clamp (2)	07-9002	\$7.28	07-9002	\$7.28	07-9001	\$6.71	07-9002	\$7.28	07-9001	\$6.71	07-9001	\$6.71	07-9001	\$6.71
9	Squeeze Tube*	08-0010	\$13.47	08-0020	\$22.34	08-0010	\$13.47	08-0020	\$22.34	08-0010	\$13.47	08-0020	\$22.34	08-0010	\$13.47
10	Inlet Fitting*Plastic	N/A		08-0021	\$18.14	N/A		08-0021	\$18.14	N/A		08-0021	\$18.14	N/A	
	Inlet Fitting*S.S.	08-0015	\$27.33	N/A		08-0015	\$27.33	N/A		08-0015	\$27.33	N/A		08-0015	\$27.33
11	Outlet Fitting*Plastic	N/A		08-0022	\$7.50	N/A		08-0022	\$7.50	N/A		08-0022	\$7.50	N/A	
	Outlet Fitting*S.S.	08-0013	\$26.17	N/A		08-0013	\$26.17	N/A		08-0013	\$26.17	N/A		08-0013	\$26.17
12	S.S. Screw Clamps*	S-5752	\$5.09	08-9004	\$4.50	S-5752	\$5.09	08-9004	\$4.50	S-5752	\$5.09	08-9004	\$4.50	S-5752	\$5.09
13	Jack Shaft	10-2411	\$98.34	10-1621	\$98.34	10-1611	\$80.23	10-1221	\$89.33	10-0821	\$75.06	10-0821	\$75.06	10-0811	\$72.22
	Manifold Plug*	L-1735	\$3.77	08-9002	\$3.67	L-1735	\$3.77	08-9002	\$3.67	L-1735	\$3.77	08-9002	\$3.67	L-1735	\$3.77

* Requirements based on number of outlets



Combination Squeeze Tube Pump Replacement Parts

SQUEEZE PUMP PARTS

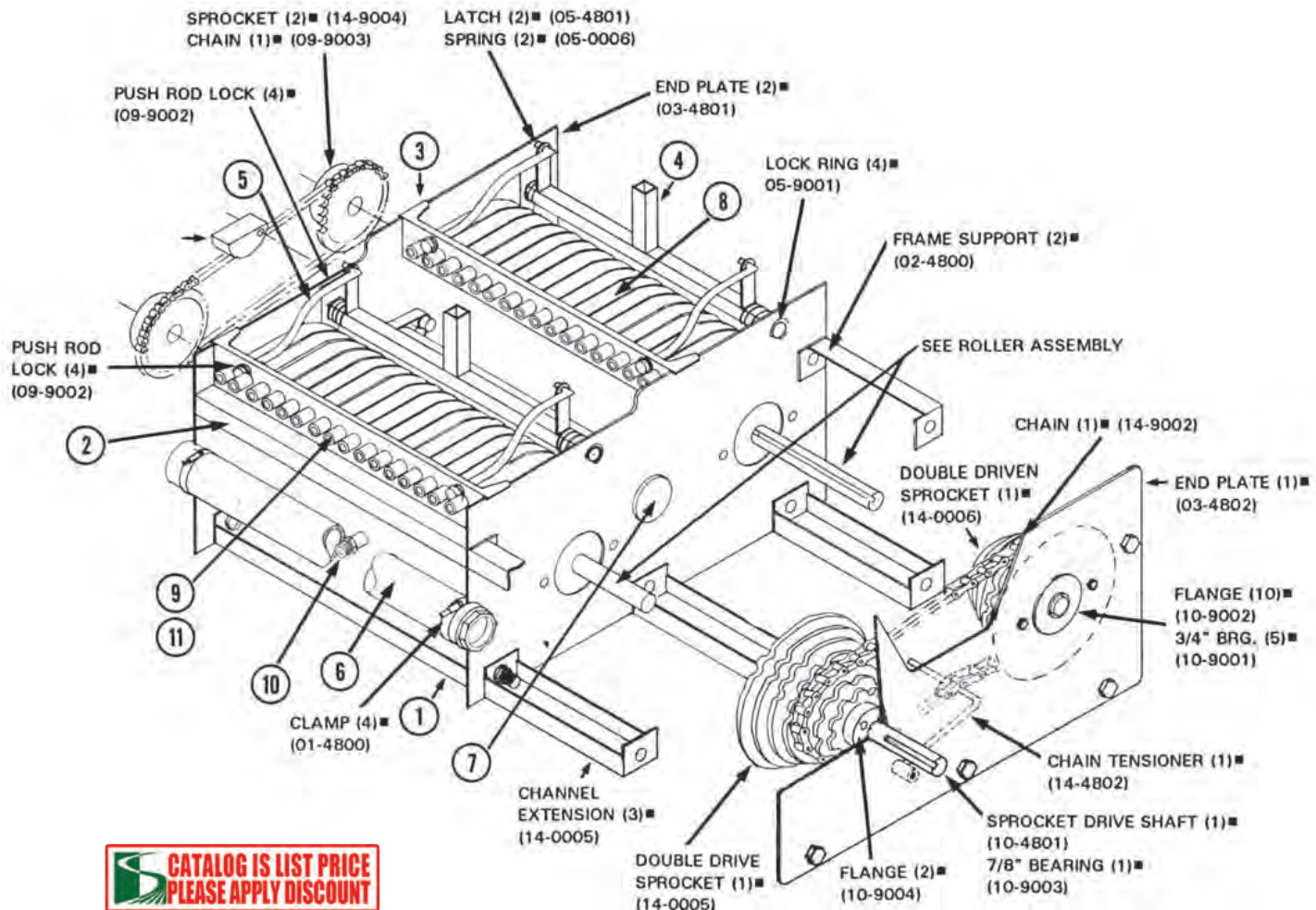


**CATALOG IS LIST PRICE
PLEASE APPLY DISCOUNT**

Item#	Description	8B-1/8L		12B-1/8L	
		Part#	Price	Part#	Price
1	Base Channel (3)	01-0820	\$33.41	01-0820	\$33.41
2	Frame Support (2)	02-0820	\$52.12	02-0820	\$52.12
3	Outlet Fitting Rack (2)	8B 04-1210	\$68.31	12B 04-1210	\$68.31
		8L 04-0820	\$63.72	8L 04-0820	\$63.72
4	Tube Tension Bar (2)	8B 05-1210	\$138.96	12B 05-1210	\$138.96
5	Push Rod (4)	8B 06-0011	\$60.65	12B 06-0011	\$60.65
6	Manifold - Front	07-1611	\$124.60	07-1610	\$127.68
7	Manifold - Center	07-1622	\$159.34	07-1622	\$159.34
8	Squeeze Tube*	B 08-0010	\$13.47	B 08-0010	\$13.47
9	Outlet Fitting * S.S.	B 08-0013	\$26.17	B 08-0013	\$26.17
		L 08-0022	\$7.50	L 08-0022	\$7.50
10	Inlet Fitting * S.S.	B 08-0015	\$27.33	B 08-0015	\$27.33
		L 08-0021	\$18.14	L 08-0021	\$18.14
11	S.S. Screw Clamps	B S-5752	\$5.09	B S-5752	\$5.09
		L 08-9004	\$4.50	L 08-9004	\$4.50
		Manifold Plug* (Old P/N - 08-9001)	L 08-9002 B L-1735	\$3.67 \$3.77	L 08-9002 B L-1735



Double Squeeze Tube Pump Replacement Parts



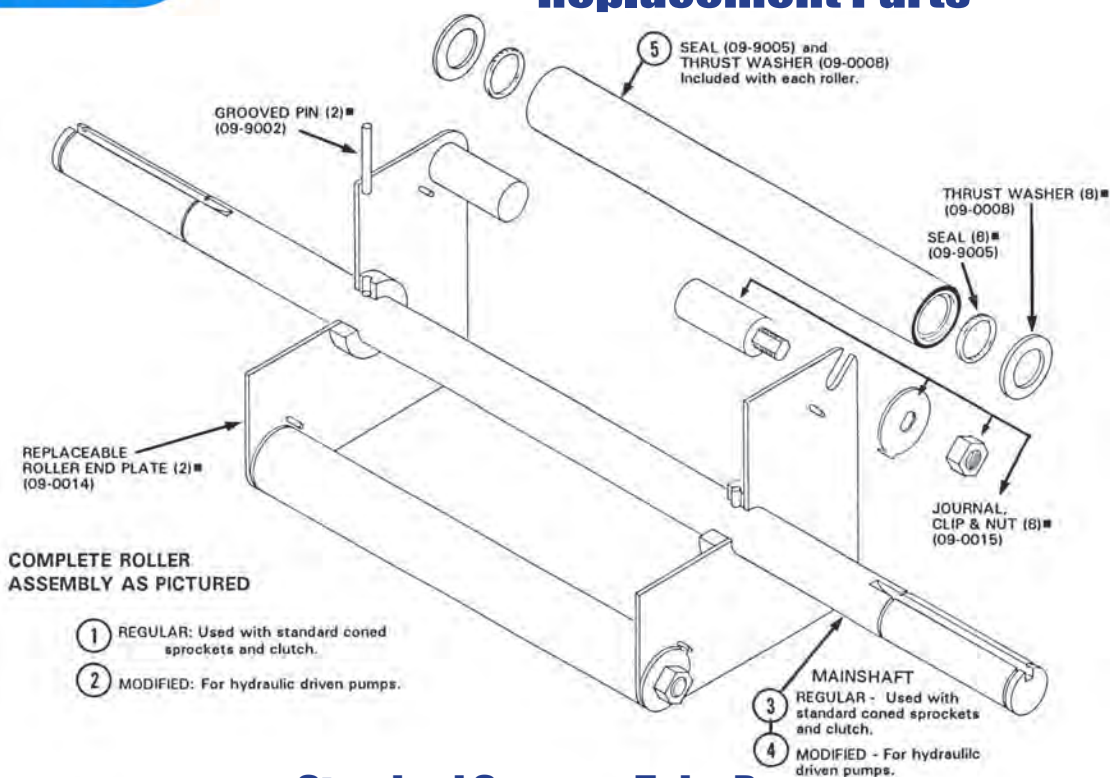
**CATALOG IS LIST PRICE
PLEASE APPLY DISCOUNT**

Item#	Description	24LD		32BD-1		40BD-1		48BD-1	
		Part#	Price	Part#	Price	Part#	Price	Part#	Price
1	Base Channel (3)	01-1220	\$44.64	01-1610	\$40.14	01-1620	\$48.03	01-2410	\$48.62
2	Frame Support Bar (2)	02-1220	\$72.59	02-1610	\$52.90	02-1620	\$71.47	02-2410	\$68.98
3	Outlet Fitting Rack (2)	04-1220	\$74.49	04-1610	\$73.18	04-2010	\$88.22	04-2410	\$74.20
4	Tube Tension Bar (2)	05-1220	\$133.61	05-1610	\$83.98	05-2010	\$91.48	05-2410	\$89.72
5	Push Rod (4)	06-0021	\$41.56	06-0011	\$60.65	06-0011	\$60.65	06-0011	\$60.65
6	Manifold - Front	07-1220	\$155.06	07-3211	\$147.40	07-2010	\$167.65	07-2410	\$188.68
7	Manifold - Center	07-2420	\$144.40	07-3212	\$152.11	07-4010	\$150.83	07-4812	\$150.65
8	Squeeze Tube *	08-0020	\$22.34	08-0010	\$13.47	08-0010	\$13.47	08-0010	\$13.47
9	Outlet Fitting * Plastic	08-0022	\$7.50	N/A	N/A	N/A	N/A	N/A	N/A
	Outlet Fitting * S.S.	N/A	N/A	08-0013	\$26.17	08-0013	\$26.17	08-0013	\$26.17
10	Inlet Fitting * Plastic	08-0021	\$18.14	N/A	N/A	N/A	N/A	N/A	N/A
	Inlet Fitting * S.S.	N/A	N/A	08-0015	\$27.33	08-0015	\$7.33	08-0015	\$27.33
11	S.S. Screw Clamps	08-9004	\$4.50	S-5752	\$5.09	S-5752	\$5.09	S-5752	\$5.09
	Manifold Plug *	08-9002	\$3.67	L-1735	\$3.77	L-1735	\$3.77	L-1735	\$3.77

*Requirements based on number of outlets



Complete Roller Assembly Replacement Parts



Standard Squeeze Tube Pump

Item#	Description	24B-1		16L		16B-1		12L		12B-1		8L		8B-1	
		Part#	Price	Part#	Price	Part#	Price	Part#	Price	Part#	Price	Part#	Price	Part#	Price
1	Regular Roller Asb.	09-2410	\$762.44	09-1620	\$941.47	09-1610	\$721.60	09-1220	\$727.70	09-0820	\$714.26	09-0820	\$714.26	09-0810	\$682.15
2	Modified Roller Asb.	09-2412	\$781.72	09-1622	\$893.38	09-1612	\$721.60	09-1222	\$721.60	09-0822	\$704.08	09-0822	\$704.08	09-0812	\$632.04
3	Regular Mainshaft	10-2410	\$114.97	10-1620	\$112.89	10-1610	\$101.45	10-1220	\$105.34	10-0820	\$94.04	10-0820	\$94.04	10-0810	\$94.04
4	Modified Mainshaf	10-2412	\$104.17	10-1622	\$101.36	10-1612	\$94.80	10-1222	\$94.34	10-0822	\$89.15	10-0822	\$89.15	10-0812	\$84.07
5	Rollers (4)	09-2411	\$110.05	09-1621	\$98.34	09-1611	\$83.12	09-1221	\$91.39	09-0821	\$92.83	09-0821	\$92.83	09-0811	\$74.59

Double and Combination Squeeze Tube Pump

Item#	Description	24LD		32BD-1		40BD-1		48BD-1	
		Front	Price	Front	Price	Front	Price	Front	Price
1	Regular Roller Assembly	09-2423	\$741.79	09-3213	\$733.67	09-4010	N/A	09-4813	\$774.41
2	Modified Roller Assembly	09-2423	\$741.79	09-3213	\$733.67	09-4010	N/A	09-4810	N/A
3	Regular Mainshaft	10-2423	\$89.01	10-3213	\$87.06	10-3223	\$94.32	10-4813	\$99.00
4	Modified Mainshaf	10-2423	\$89.01	10-3213	\$87.06	10-3223	\$94.32	10-4813	\$99.00
5	Rollers (4)	09-1221	\$91.39	09-1611	\$83.12	09-1621	\$163.80	09-2411	\$110.05

Item#	Description	Center		Center		Center		Center	
		Front	Price	Front	Price	Front	Price	Front	Price
1	Regular Roller Assembly	09-2424	\$741.79	09-3214	\$733.67	09-4011	N/A	09-4814	\$774.41
2	Modified Roller Assembly	09-2424	\$97.18	09-3214	\$733.67	09-4011	N/A	09-4811	N/A
3	Regular Mainshaft	10-2424	\$97.18	10-3214	\$96.17	10-3224	\$104.17	10-4814	\$105.77
4	Modified Mainshaf	10-2424	\$97.18	10-3214	\$96.17	10-3224	\$104.17	10-4814	\$105.77
5	Rollers (4)	09-1221	\$91.39	09-1611	\$83.12	09-1621	\$163.80	09-2411	\$110.05

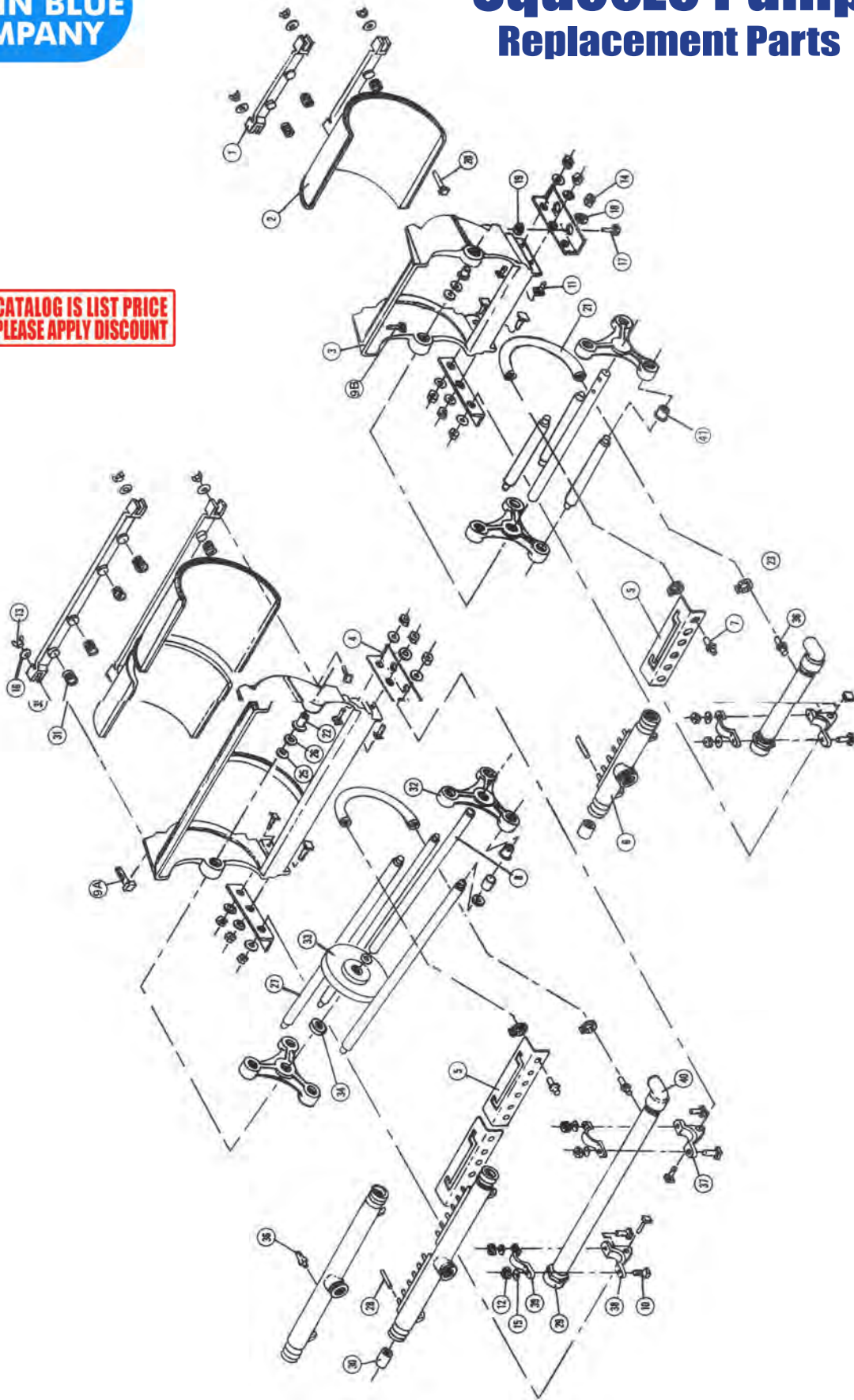
Item#	Description	8B-1/8L				12B-1/8L			
		Front	Price	Center	Price	Front	Price	Center	Price
1	Regular Roller Assembly	09-1623	\$706.94	09-1624	\$721.44	09-1623	\$706.94	09-1624	\$721.44
2	Modified Roller Assembly	09-1623	\$706.94	09-1624	\$721.44	09-1623	\$706.94	09-1624	\$721.44
3	Regular Mainshaft	10-1623	\$83.75	10-1624	\$91.85	10-1623	\$83.75	10-1624	\$91.85
4	Modified Mainshaf	10-1623	\$83.75	10-1624	\$91.85	10-1623	\$83.75	10-1624	\$91.85
5	Rollers (4)	09-0821	\$92.83	09-0821	\$92.83	09-0821	\$92.83	09-0821	\$92.83

**CATALOG IS LIST PRICE
PLEASE APPLY DISCOUNT**



Squeeze Pump Replacement Parts

CATALOG IS LIST PRICE
PLEASE APPLY DISCOUNT



SQUEEZE PUMP PARTS

375

SQUEEZE PUMP PARTS

No.	Part#	Description	Price	L-6-C	L-8-C	L-8-LC	L-12-C	L-16-C	L-6-P	L-8-SP	L-8-P	L-12-P	L-12-SC	L-12-SP
1	108045-01	Spring Anchor Bar	\$32.10	4	4	4	4	4	4	4	4	4	4	4
1	108499-01	Spring Anchor Bar	\$51.73			2	2	2			2	2	2	2
2	108044-01	Back Plate	\$190.35	1	1	2	2	2	1	1	2	2	2	2
3	108042-91	Frame	\$482.79	1	1				1	1				
3	108498-91	Frame	\$884.17			1	1	1			1	1	1	1
4	L-1259	Base Angle	\$19.91	2	2				2	2				
4	L-1275-L	Base Angle	\$24.81	1			1	1			1	1	1	1
4	L-1275-R	Base Angle	\$24.81	1			1	1			1	1	1	1
5	114372-01	Discharge Manifold Bracket	\$34.71										2	2
5	114369-01	Discharge Manifold Bracket	\$42.22	1			2		1			2		
5	L-1320-1	Discharge Manifold Bracket	\$23.95		1			2		1				
5	113430-01	Discharge Manifold Bracket	\$39.63			2					2			
6	L-1254-A	Intake Manifold	\$154.97	1										
6	L-1267	Intake Manifold	\$259.98			1								
6	L-1273-A	Intake Manifold	\$357.24					1						
6	L-1313-A	Intake Manifold	\$274.01				1							
6	L-1315-A	Intake Manifold	\$180.70		1									
6	113434-01	Intake Manifold	\$275.20									1		
6	113428-01	Intake Manifold	\$157.60								1			
6	113573-01	Intake Manifold	\$122.24							1				
6	113600-01	Intake Manifold	\$143.73						1					
6	114171-01	Intake Manifold	\$283.76											1
6	111045-01	Intake Manifold	\$292.97										1	
7	114368-01	Hose Coupling	\$4.37	6		8	12		6		8	12		
7	114370-01	Hose Couplings	\$4.37		8			16		8			12	12
8	L-1253	Drive Shaft	\$115.90	1	1				1	1				
8	L-1321	Drive Shaft	\$108.41	1			1	1			1	1	1	1
9	90554	5/16-18 NC x 1 3/4 Sq HD MB	\$1.57	4	4	4	2	2	4	4	4	2	2	4
9	90578	5/16-18 NC x 1 Carriage Bolt	\$.90	2	2	4	4	4	2	2	4	4	4	4
10	90620	1/4 x 20 x 1 Plated	\$.44						4	4	4	4	4	4
11	90651	3/8 x 16 x 1 Plated	\$.79	6	6	6	6	6	6	6	6	6	6	6
12	92015	1/4-20 Hex Nut	\$.13						4	4	4	4	4	4
13	92023	5/16-18 Wing Nut	\$1.05	6	4	8	8	8	6	4	8	8	8	8
14	92024	3/8-16 Hex Nut	\$.26	10	10	10	10	10	10	10	10	10	10	10
15	93005	1/4 Lock Washer	\$.09						4	4	4	4	4	4
16	93010	5/16 Flat Washer	\$.14	6	6	8	8	8	6	6	8	8	8	8
17	90653	3/8-16 x 1-1/4 Plated	\$1.14	4	4	4	4	4	4	4	4	4	4	4
18	93011	3/8 Flat Washer	\$.23	8	8	8	8	8	8	8	8	8	8	8
19	93024	3/8 Lock Washer	\$.26	4	4	4	4	4	4	4	4	4	4	4
20	90555	5/16-18 x 2 SQ HD	\$5.04				2	2				2	2	
21	87250	5/16" Hose	\$15.01		8			16		8			12	12
21	87249	1/2" Hose	\$15.01	6		8	12		6		8	12		
22	A-3656-A	Nylon Bushing Mainshaft	\$9.21	2	2	2	2	2	2	2	2	2	2	2
23	95528	Hose Clamp	N/A		16			32		16			24	24
23	S-5752	Hose Clamp	\$5.09	12		16	24		12		16	24		
24	A-3557	#4 x 3/16 Drive Screw	\$.16	2	2	2	2	2	2	2	2	2	2	2
25	L-4627	1/32" Shim	N/A	2	2	4	4	4	2	2	4	4	4	4
26	L-4628	3/64" Shim	N/A	2	2	4	4	4	2	2	4	4	4	4
27	108096-01	Roller	\$93.58		3				3					
27	108097-01	Roller	\$94.27	3				3						
27	108507-01	Roller	\$109.85			3	3				3	3		
27	114172-01	Roller	\$119.30					3				3		3
28	L-1257	1/2" Cap	\$1.14	3		4	4		3		4	4		
28	L-1257-A	5/16" Cap	\$1.45		3			6		3			6	
29	113431-01	Manifold Cap	\$24.17						1	1	1	1		1
30	L-1266	Manifold Plug 1-1/4"	\$6.93			2	2	2			2		2	
30	L-1264	Manifold Plug 1"	\$4.37	2	2				2	2				
31	L-1261	Back Spring	\$2.73	4	4	8	4	4	4	4	8	4	4	4
31	L-4458	Back Spring	\$15.61					4				4	4	4
32	L-1463	Roller Arm Assembly	\$181.82	2	2	2	2	2	2	2	2	2	2	2
33	L-1440	Back Up Roller Assembly	\$110.51			1	1				1	1		1
33	L-4450	Back Up Roller Assembly	\$113.14										1	
34	H-12	Collar Set	\$45.81			2	2	2			2	2	2	2
35	L-4457	Bolt Spacer	\$34.97				2	2				2	2	2
36	L-4452	Hose Adaptor	N/A						6		8	12		
36	113571-01	Hose Coupling	\$3.43		8									12
37	113425-01	Lower Right Clamp	\$48.75						1	1	1	1		1
38	113426-01	Lower Left Clamp	\$25.00						1	1	1	1		1
39	113427-01	Manifold Clamp	\$41.29						2	2	2	2		2
40	113432-01	90° Elbow	\$29.38						1	1	1	1		1
41	L-1452	Roller Bushing (Nylon)	\$3.29	6	6	6	6	6	6	6	6	6	6	6

375