



RC-10N SINGLE CONTROL UNIT

The RC-10N system is perfect for all single valve projects. Allowing for easy customizations, TIR offers a wide variety of system assemblies. This ideal control system package is standard equipment with a 3/4" NPT pressure regulator, an 8' power cord with fuse assembly and a 15' harness.

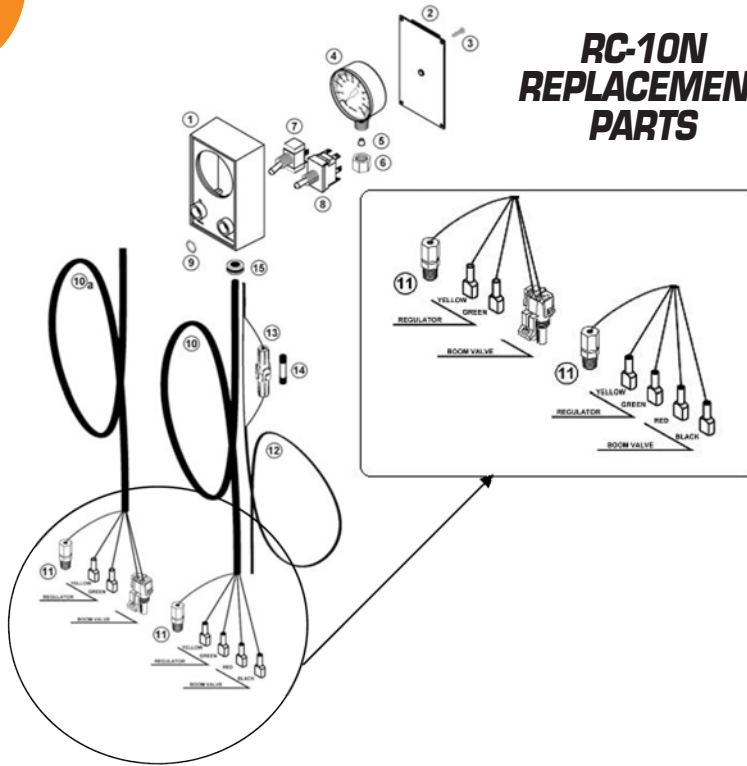
PART NO.	DESCRIPTION	LIST PRICE
RC-10N	RC-10N Controller Kit; Single Boom (CON.RC10N)	\$411.19

Kit Includes: Console with 1 boom switches, 0-100 PSI Pressure Gauge, 1560-3/4 Pressure Regulating valve, 8' Power Cord, 15' Cab Harness...LESS Solenoids



CATALOG IS LIST PRICE PLEASE APPLY DISCOUNT

RC-10N REPLACEMENT PARTS



RC-10N REPLACEMENT PARTS

REF	PART NO.	QTY	DESCRIPTION	LIST PRICE
1	1186	1	Control Box	N/A
2	1203	1	Back Plate	N/A
3	5301	4	Screw, No 4 X 1/2	\$2.67
4	1331	1	Gauge, 0-100 PSI / 1/4" NPT (Standard)	\$49.22
4	2399	1	Gauge, 0-200 PSI / 1/4" NPT (Optional)	\$68.03
5	1204	1	Ferrule	\$13.64
6	1320	1	1/4" NPT Nut	\$11.26
7	1214	1	On-Off Switch	\$33.33
8	1175	1	Regulator Switch	\$57.15
9	1205	2	Hex Nut for 1214 & 1175	N/A
10	1575	1	15' Harness	N/A
10a	1575WP	1	15' Weather-Pack Harness (Optional)	N/A
11	1181	1	1/8" NPT to 1/8" Tube fitting & Nut	\$6.08
12	1206	1	Power Cord with Integrated Fuse Holder	N/A
13	1207	1	Fuse Holder	N/A
14	1208	1	5 Amp Fuse	N/A
15	1209	1	Grommet	N/A
	1585		15' Extension Harness (Optional)	\$186.02
	1586		Panel & Harness Assembly (Items 1-15)	\$270.21

REPLACEMENT VALVES

REGULATING VALVE



The model 1560A and 1541A Electric Pressure Regulators are equipped with a precision high torque motor and gear reduction and a high strength body for heavy-duty service. Chemical resistant glass filled nylon body, stainless steel motor shaft and butterfly and iron seal. Low current draw, 50 MA at 12-volt. Maximum recommended pressure is 150 PSI.

Speed at 12 volt = 1 RPM or at 6-volt = .5 RPM.

PART NO.	DESCRIPTION	LIST PRICE
1560-3/4	3/4" FPT Inlet/Outlet	\$173.77
1541-1	1" FPT Inlet/Outlet	\$199.51

1999A SERIES



Series 1999A

- Maximum Pressure: 175 PSI
- GPM: 0 - 18
- Pressure Drop: 5 PSI at 18 GPM
- Voltage: 12-Volt DC
- Standard Current Draw: 1.1 AMPs
- Valve: Normally Closed
- Diaphragm/Seat/Seals: Viton®
- 1" FPT Inlet / MPT Bypass Line; 3/4" FPT Boom Outlet
- Terminals: .25" Spade / Weather Pack Available (WP)

PART NO.	DESCRIPTION	LIST PRICE
1999A-1	Solenoid Valve	\$204.26
1999A-WP	Solenoid Valve (WP)	\$205.41



RC-1B SERIES CONTROL SYSTEMS

Get complete and safe control from the tractor seat in a complete, turnkey package. The cab harness of the control console attaches to the sprayer harness with quick disconnects for easy coupling of the sprayer to the tractor. The RC-1B Series is a robust, 12-Volt system for 2-5 outputs with pressure gauge feedback.

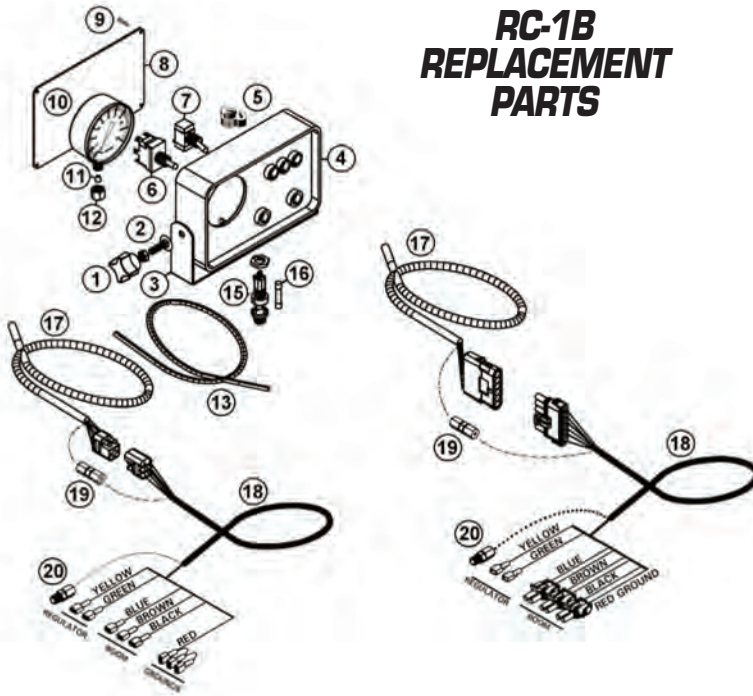
PART NO.	DESCRIPTION	LIST PRICE
RC-1B-2	RC-1B Controller Kit; 2 Section (CON.2170L.2)	\$595.98
RC-1B	RC-1B Controller Kit; 3 Section (CON.RC1B)	\$509.26
RC-1B-4	RC-1B Controller Kit; 4 Section (CON.2150.4)	\$668.40
RC-1B-5	RC-1B Controller Kit; 5 Section (CON.2160.5)	\$723.05

Kit Includes: Console with 2, 3, 4 or 5 boom switches, 0-100 PSI Pressure Gauge, mounting bracket, 1560-3/4 Pressure Regulating valve, 6' Cab Harness, 8' Sprayer Harness...LESS Solenoids



**CATALOG IS LIST PRICE
PLEASE APPLY DISCOUNT**

RC-1B REPLACEMENT PARTS



RC-1B REPLACEMENT PARTS

REF	PART NO.	QTY	DESCRIPTION	LIST PRICE
1	1266	2	Knob	\$10.75
2	5318/5320	2	1/4-20 x 3/4 Cap Screw w/ Hex Nut	\$2.76
3	1927	1	Mounting Bracket	N/A
4	1986	1	Control Panel	N/A
5	1946	1	Cable Clamp	N/A
6	1175	1	Pressure Switch	\$57.15
7	1214	4	Master Switch/Boom Switch	\$33.33
8	1948	1	Back Panel	N/A
9	5301	4	Screw, No. 4 x 1/2	\$2.67
10	2762	1	Gauge, 0-100 PSI; 1/4" NPT (Standard)	\$90.67
10	1332L	1	Gauge, 0-100 PSI; Liquid Filled, 1/4 NPT	\$188.43
11	1204	1	Ferrule	\$13.64
12	1320	1	1/4 NPT Nut	\$11.26
13	1212	1	8' Power Cord	N/A
15	1172	1	Fuse Holder	\$31.55
16	70079	1	Fuse, 10 Amp, 3AG	N/A
17	1195	1	6' Cab Harness (Standard)	N/A
17	1195WP	1	6' Cab Harness (Weather Pack)	N/A
17	1294	1	10' Cab Harness (Optional)	N/A
17	1294WP	1	10' Cab Harness (Weather Pack)	N/A
18	1576	1	8' Sprayer Harness (Standard)	\$125.32
18	1576WP	1	8' Sprayer Harness (Weather Pack)	\$125.32
18	1577	1	15' Sprayer Harness (Optional)	\$234.97
18	1577WP	1	15' Sprayer Harness (Weather Pack)	\$234.97
18	1578	1	24' Sprayer Harness (Optional)	N/A
18	1578WP	1	24' Sprayer Harness (Weather Pack)	N/A
19	1182	1	1/8" Tube Union	\$8.77
20	1181	1	1/8" NPT x 1/8" Tube Fitting	\$6.08

REPLACEMENT VALVES

2100C SERIES

Series 2100C

- Maximum Pressure: 125 PSI
- GPM: 0 - 10
- Pressure Drop: 7.5 PSI at 10 GPM
- Voltage: 12-Volt DC
- Standard Current Draw: 2 AMPS
- Valve: Normally Closed
- Diaphragm/Seat/Seals: Viton®
- 3/4" FPT Inlet / MPT Bypass Line; 1/2" FPT Boom Outlet
- Terminals: .25" Spade / Weather Pack Available (WP)



PART NO.	DESCRIPTION	LIST PRICE
2100C	Solenoid Valve	\$153.37
2100C-WP	Solenoid Valve (WP)	\$156.21

2500B SERIES

Series 2500B

- Maximum Pressure: 100 PSI
- GPM: 0 - 10
- Pressure Drop: 5 PSI at 10 GPM
- Voltage: 12-Volt DC
- Standard Current Draw: 2 AMPS
- Valve: Normally Closed
- Diaphragm/Seat/Seals: Viton®
- 3/4" FPT Inlet / MPT Bypass Line; 1/2" FPT Boom Outlet
- Terminals: .25" Spade / Weather Pack Available (WP)



PART NO.	DESCRIPTION	LIST PRICE
2500B	Solenoid Valve	\$151.25
2500B-WP	Solenoid Valve (WP)	\$152.85

Grimes, IA **800-351-1587** • Gardner, KS **877-829-8502** • Brimfield, IL **855-778-8500**