

HYPRO®

TRANSFER PUMPS - 2" & 3"

FEATURES:

- Multiple gas engine options, including field proven Hypro PowerPro and Honda® engines
- Housings: 2" x 2" Polypropylene or 3" x 3" polypropylene - highest performance available in a 3" transfer pump with highest efficiency and horsepower on the market
- Pump Seals: EPDM Mechanical
- Suction Lift: 25 ft
- Poly impeller with stainless steel insert (3"); Nylon impeller (2")
- 2" versions available with or without frame



2" GAS ENGINE-DRIVEN TRANSFER PUMPS - POLYPROPYLENE

PART NUMBER	ENGINE MFG & HP	MAX GPM	MAX PSI	PORT SIZE	IMPELLER PROFILE	LIST PRICE
1542P-65SP	PowerPro 6.5 HP	200	58	2" x 2" NPT	5 Vane	\$607.64
1542P-65SPM	PowerPro 6.5 HP with Frame	200	58	2" x 2" NPT	5 Vane	\$628.67
1542P-65ESP	PowerPro 6.5 HP with Electric Start	200	58	2" x 2" NPT	5 Vane	\$912.01
1542P-160HSP	Honda® GX160 5.5 HP	200	58	2" x 2" NPT	5 Vane	\$1,270.61
1542P-200HSP	Honda® GX200 6.5 HP	200	58	2" x 2" NPT	5 Vane	\$1,221.92

PART NUMBER	DESCRIPTION	LIST PRICE
3430-0691	Pump Head for 1542P-65SP with EPDM Seal	\$348.42
3430-0635	EPDM Seal Kit	\$80.14
3430-0659	Viton® Seal Kit	\$348.42

PERFORMANCE CHART - 1542P

GPM at 0 PSI	GPM at 10 PSI	GPM at 20 PSI	GPM at 30 PSI	GPM at 40 PSI	GPM at 50 PSI	GPM at 58 PSI
200	182	162	136	106	65	0

3" GAS ENGINE-DRIVEN TRANSFER PUMPS - POLYPROPYLENE

PART NUMBER	ENGINE MFG & HP	MAX GPM	MAX PSI	PORT SIZE	IMPELLER PROFILE	LIST PRICE
1543P-130SP	PowerPro 13 HP	440	54	3" x 3" NPT	5 Vane	\$1,748.76
1543P-130ESP	PowerPro 13 HP with Electric Start	440	54	3" x 3" NPT	5 Vane	\$1,945.77
1543P-130ESP-01	PowerPro 13 HP with Electric Start	440	54	3" x 3" Flange	5 Vane	\$2,005.53
1543P-GX390E	Honda® GX390 13 HP with Electric Start	440	54	3" x 3" NPT	5 Vane	\$2444.13

PART NUMBER	DESCRIPTION	LIST PRICE
3430-0692	Pump Head for 1543P with EPDM Seal	\$629.69
3430-0692-02	Flanged Pump Head Kit for 1543P w/ EPDM Seal	\$852.68
3430-0757	EPDM Seal Kit	\$197.65
3430-0838	Viton® Seal Kit	\$591.68

PERFORMANCE CHART - 1543P

GPM at 0 PSI	GPM at 10 PSI	GPM at 20 PSI	GPM at 30 PSI	GPM at 40 PSI	GPM at 50 PSI	GPM at 58 PSI
440	400	338	269	184	68	0

CAST IRON TRANSFER PUMPS - 2" & 3"

FEATURES:

- Gas engine driven
- Pump Seals: Fluoroelastomer (Viton®)
- Suction Lift: 20 ft
- Flapper Valve (EPDM)

CATALOG IS LIST PRICE PLEASE APPLY DISCOUNT



2" GAS ENGINE-DRIVEN TRANSFER PUMPS - CAST IRON

PART NUMBER	ENGINE MFG & HP	MAX GPM	MAX PSI	PORT SIZE	LIST PRICE
1532C-6SP	PowerPro 6.5 HP	170	42	2" x 2" NPT	\$1,186.50
1532C-GX160	Honda® GX160 5.5 HP	170	42	2" x 2" NPT	\$1,487.54
1532C-GX160E	Honda® GX160 5.5 HP with Electric Start	170	42	2" x 2" NPT	\$1,955.88

PART NUMBER	DESCRIPTION	LIST PRICE
3430-0673CSP	Pump Head Kit for 1532C with EPDM Seal	\$744.98

PERFORMANCE CHART - 1532C

GPM at 0 PSI	GPM at 5 PSI	GPM at 10 PSI	GPM at 15 PSI	GPM at 20 PSI	GPM at 25 PSI	GPM at 30 PSI	GPM at 35 PSI	GPM at 40 PSI	GPM at 42 PSI
170	155	140	123	106	87	65	42	14	0

3" GAS ENGINE-DRIVEN TRANSFER PUMPS - CAST IRON

PART NUMBER	ENGINE MFG & HP	MAX GPM	MAX PSI	PORT SIZE	LIST PRICE
1533C-13SP	PowerPro 13 HP	330	60	3" x 3" NPT	\$2,235.75
1533C-13ESP	PowerPro 13 HP with Electric Start	330	60	3" x 3" NPT	\$2,438.30
1533C-GX390E	Honda® GX390 13 HP with Electric Start	330	60	3" x 3" NPT	\$3,153.99

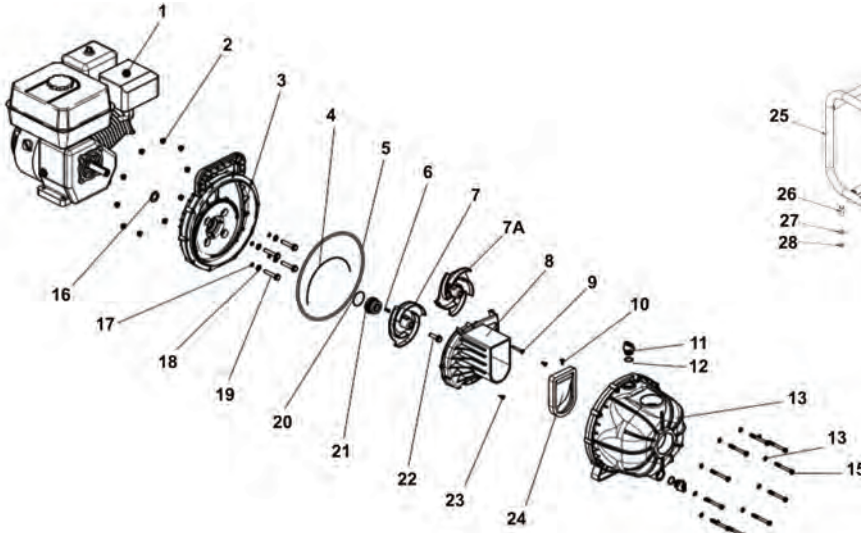
PART NUMBER	DESCRIPTION	LIST PRICE
3430-0674CSP	Pump Head Kit for 1533C with EPDM Seal	\$1,436.75

PERFORMANCE CHART - 1533C

GPM at 0 PSI	GPM at 5 PSI	GPM at 10 PSI	GPM at 15 PSI	GPM at 20 PSI	GPM at 25 PSI	GPM at 30 PSI	GPM at 35 PSI	GPM at 40 PSI	GPM at 45 PSI	GPM at 50 PSI	GPM at 60 PSI	GPM at 66 PSI
330	325	321	315	296	273	248	221	192	161	129	48	0

HYPRO®

POLY TRANSFER PUMP REPLACEMENT PARTS - 2" & 3"



2" SEAL REPAIR KITS

PART NO.	DESCRIPTION	LIST PRICE
3430-0635	2" EPDM Seal Repair Kit	\$80.14
Kit Includes: (1) Ref. 4 Diffuser Gasket, (1) Ref. 5 Pump Body O-ring, (1) Ref. 20 Seal O-ring, (1) Ref. 21 Mechanical Seal, and (4) Ref. 17 O-ring		
3430-0659	2" Viton® Seal Repair Kit	\$348.42
Kit Includes: (1) Ref. 4 Diffuser Gasket, (1) Ref. 5 Pump Body O-ring, (1) Ref. 24 Flapper Valve, (1) Ref. 20 Seal O-ring, (1) Ref. 21 Mechanical Seal, and (4) Ref. 17 O-ring		

3" SEAL REPAIR KITS

PART NO.	DESCRIPTION	LIST PRICE
3430-0757	3" Seal Repair Kit	\$197.65
Kit Includes: (4) Ref. 17 O-ring, (1) Ref. 20 Mechanical Seal O-ring, (1) Ref. 21 Mechanical Seal, (1) Impeller O-ring, (1) Ref. 24 Flapper Valve, (1) Ref. 5 Body O-ring		

3" SHIM KITS

PART NO.	DESCRIPTION	LIST PRICE
3430-0758	3" Shim Kit	\$314.21
Kit Includes: (3) 1430-0034 Impeller Shim (not shown), (3) 1430-0035 Engine Shim (not shown)		

2" POLY TRANSFER PUMP REPLACEMENT PARTS

REF NO.	QTY REQ'D	PART NO.	DESCRIPTION	LIST PRICE
1	1	2541-0045	6.5 HP Gas Engine	\$457.63
2	10	2250-0087	Hex Flange Nut, M6	\$1.10
3	1	0751-1540P	Mounting Flange	\$62.40
4	1	1700-0209	Diffuser Gasket	\$2.48
5	1	1720-0244	Pump Body O-ring	\$12.12
6	1	1610-0044	Key	\$9.48
7	1	0401-1540P	5-vane Impeller	\$31.00
8	1	0150-1540P	Diffuser	\$43.71
9	1	2210-0144	Screw	\$1.32
10	1	2210-0152	Screw	\$1.04
11	2	2404-0350P	Fill/Drain Plug	\$1.93
12	2	1720-0230	O-ring (EPDM)	\$1.24
13	1	0100-1540P	Pump Housing	\$80.45
14	10	2270-0115	Flat Washer	\$6.63
15	10	2210-0141	Hex Head Cap Screw	\$3.10
16	1	1410-0083	Slinger Ring	\$2.56
17	4	1720-0013	O-ring	\$1.32
18	4	2270-0114	Flat Washer	\$8.26
19	4	2210-0153	Hex Head Cap Screw w/Washer	\$4.89
20	1	1720-0231	O-ring (EPDM)	\$1.10
21	1	2120-0044	Mechanical Seal	\$69.05
22	1	2210-0142	Hex Head Cap Screw	\$12.39
23	2	2210-0145	Screw, Phillips, SS	\$1.18
24	1	1700-0208	Flapper Valve (EPDM)	\$2.14
25	1	2801-0012	Frame	\$101.99
26	4	2210-0021	Bolt	\$1.25
27	4	2270-0112	Washer	\$0.96
28	4	2250-0008	Hex Nut	\$2.13

2" PUMP HEAD KIT			
3430-0691	2" Pump Head Kit - Includes all items less engine		\$348.42

3" POLY TRANSFER PUMP REPLACEMENT PARTS

REF NO.	QTY REQ'D	PART NO.	DESCRIPTION	LIST PRICE
1	1	2541-0048	13 HP PowerPro™ Engine, Manual Start	\$886.55
1	1	2541-0049	13 HP PowerPro™ Engine, Electric Start	\$1,066.96
2	15	2250-0087	Hex Flange Nut, M6	\$1.10
3	1	0750-1543PK	Mounting Flange	\$121.63
5	1	1723-0146	Pump Body O-ring	\$12.70
6	1	1610-0069	Key (square)	\$1.74
7	1	0400-1543P	5-vane Impeller	\$59.55
8	1	0150-1543P	Diffuser	\$44.03
11	2	2404-0350P	Fill/Drain Plug	\$1.93
12	2	1720-0230	O-ring (EPDM)	\$1.24
13	1	0100-1543PK	Pump Housing - Threaded	\$238.19
13	1	0101-1543P	Pump Housing - Flanged	\$428.24
14	15	2270-0115	Flat Washer	\$6.63
15	15	2210-0141	Hex Head Cap Screw	\$3.10
16	1	1410-0091	Slinger Ring	\$6.41
17	4	1723-0149	O-ring (Available only in Kit 3430-0757)	\$197.65
18	4	2210-0182	Flat Washer	\$12.20
19	4	2210-0183	Hex Head Cap Screw w/Washer	\$6.46
20	1	1723-0148	O-ring (EPDM) (Available only in Kit 3430-0757)	\$197.65
21	1	2120-0055	Mechanical Seal (Available only in Kit 3430-0757)	\$197.65
22	1	2210-0181	Hex Flange Bolt	\$10.53
24	1	1700-0232	Flapper Valve (Available only in Kit 3430-0757)	\$197.65

3" PUMP HEAD KITS			
3430-0692	3" Threaded Pump Head Kit - Includes all items less engine		\$629.29
3430-0692-02	3" Flanged Pump Head Kit - Includes all items less engine		\$852.68

CATALOG IS LIST PRICE PLEASE APPLY DISCOUNT



ALUMINUM TRANSFER PUMPS - 2" & 3"

- FEATURES:**
- PowerPro™ gas engine driven
 - Pump Seals: EPDM Mechanical
 - Suction Lift: 13 ft (1541A); 23 ft (1542A & 1543A)
 - Framed: 1542A & 1543A versions only
 - Housing: Aluminum
 - Trash pumps will handle 1-1/8" solids
 - Transfer pumps will handle 3/8" solids

2" & 3" GAS ENGINE-DRIVEN TRANSFER PUMPS - ALUMINUM

PART NUMBER	PUMP	ENGINE MFG & HP	MAX GPM	MAX PSI	PORT SIZE	LIST PRICE
1542A-65SP	Transfer	PowerPro™ 6.5 HP	147	50	2" x 2" NPT	\$682.90
1543A-65SP	Transfer	PowerPro™ 6.5 HP	259	50	3" x 3" NPT	\$758.16
1543A-65TSP	Trash	PowerPro™ 6.5 HP	272	50	3" x 3" NPT	\$1,306.03

SEAL REPAIR KITS

PART NO.	DESCRIPTION	LIST PRICE
3430-0799	2" Transfer Pump Seal Repair Kit (1542A-65SP)	\$34.11
3430-0800	3" Transfer Pump Seal Repair Kit (1543A-65SP)	\$34.11
3430-0801	3" Trash Pump Seal Repair Kit (1543A6-6TSP)	\$86.47

PERFORMANCE CHART - 1541A-SP

GPM at 0 PSI	GPM at 10 PSI	GPM at 15 PSI	GPM at 20 PSI	GPM at 25 PSI	GPM at 28 PSI
40	28	21	14	7	0

PERFORMANCE CHART - 1542A-65SP

GPM at 5 PSI	GPM at 10 PSI	GPM at 15 PSI	GPM at 20 PSI	GPM at 25 PSI	GPM at 30 PSI	GPM at 35 PSI	GPM at 40 PSI	GPM at 45 PSI	GPM at 50 PSI
147	144	136.6	124.7	110.2	94.1	78.3	57.1	19.2	0

PERFORMANCE CHART - 1543A-65SP

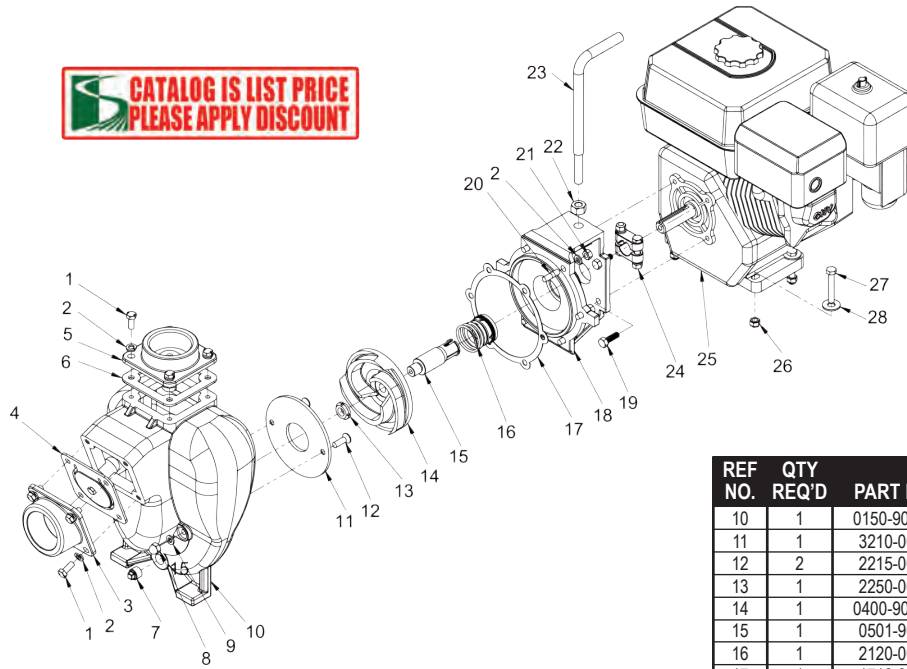
GPM at 5 PSI	GPM at 10 PSI	GPM at 15 PSI	GPM at 20 PSI	GPM at 25 PSI	GPM at 30 PSI	GPM at 35 PSI	GPM at 40 PSI	GPM at 45 PSI	GPM at 50 PSI
259	251.6	233.7	213.6	190.9	162.2	135.8	99.3	56.1	8.7

PERFORMANCE CHART - 1543A-65TSP

GPM at 5 PSI	GPM at 10 PSI	GPM at 15 PSI	GPM at 20 PSI	GPM at 25 PSI	GPM at 30 PSI	GPM at 35 PSI	GPM at 40 PSI	GPM at 45 PSI	GPM at 50 PSI
272	269.8	241	207.6	179.3	140.4	98.1	50.7	5.4	0

CAST IRON TRANSFER PUMP REPLACEMENT PARTS - 2" & 3"
2" CAST IRON TRANSFER PUMP REPLACEMENT PARTS

**CATALOG IS LIST PRICE
PLEASE APPLY DISCOUNT**



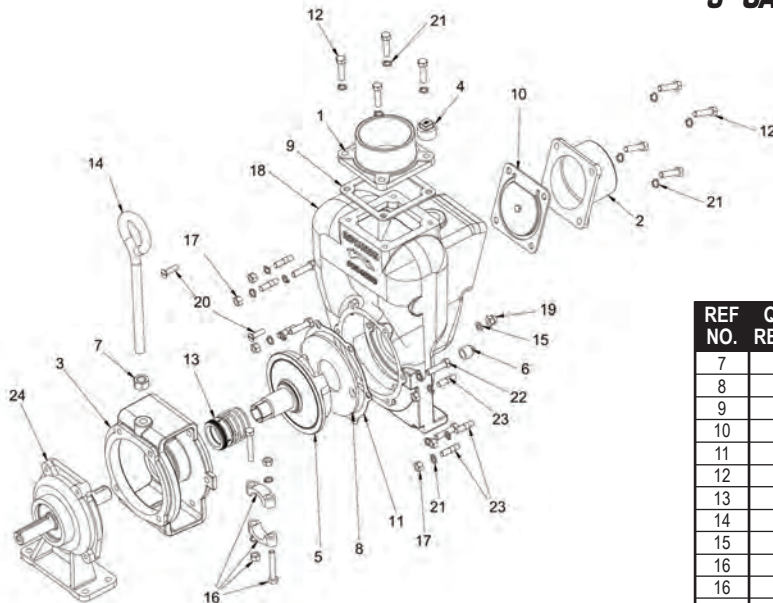
2" PUMP HEAD KIT

PART NUMBER	LIST PRICE
3430-0673CSP	\$744.98
Pump head kit for 2" Cast Iron Transfer Pump	

REF NO.	QTY REQ'D	PART NO.	DESCRIPTION	LIST PRICE
1	8	2210-0160	Cap Screw, 5/16-18	N/A
2	14	2260-0051	Lockwasher, 5/16	N/A
3	1	2404-0363	Inlet Flange (2" NPT)	\$25.50
4	1	1700-0218	Flapper Valve Assembly	\$36.86
5	1	2404-0362	Discharge Flange (2" NPT)	\$24.05
6	1	1700-0217	Discharge Flange Gasket (EPDM)	\$11.85
7	1	2406-0041	External Square Drain Plug (3/8" NPT)	N/A
8	2	2253-0012	Acorn Nut, 5/16-18 SS	\$4.49
9	2	1700-0021	Plastic Washer	N/A

REF NO.	QTY REQ'D	PART NO.	DESCRIPTION	LIST PRICE
10	1	0150-9032C	Self-Priming Chamber	\$172.31
11	1	3210-0094	Wear Plate	\$22.73
12	2	2215-0004	Screw, 5/16-18	\$2.41
13	1	2250-0095	Impeller Nut, 9/16-18	\$3.10
14	1	0400-9032C	Impeller	\$25.83
15	1	0501-9032	Shaft Sleeve (3/4")	\$63.67
16	1	2120-0046	Mechanical Seal (FKM), 1"	\$102.94
17	1	1710-0017	Gasket	\$1.93
18	1	0750-9032C	Mounting Flange (Gas Engine)	\$97.56
19	4	2210-0143	Hex Head Bolt	\$3.45
20	6	2205-0021	Stud	\$6.03
21	6	2250-0094	Hex Nut, 5/16-18	N/A
22	1	2250-0093	Hex Nut, 7/16-20	N/A
23	1	2801-0007	Handle	\$20.66
24	1	1420-0023	Shaft Sleeve Clamp	N/A
25	1	2541-0045	6.5 HP PowerPro™ Engine	\$457.63
26	4	18572-SHW	5/16-18 NC Zinc Locknut	N/A
27	4	2210-0008	5/16-18 UNC 2A HHCS	\$1.10
28	4	2270-0004	Flat Washer	\$1.33

3" CAST IRON TRANSFER PUMP REPLACEMENT PARTS



3" PUMP HEAD KIT

PART NUMBER	LIST PRICE
3430-0674CSP	\$1,436.75
Pump head kit for 3" Cast Iron Transfer Pump	

REF NO.	QTY REQ'D	PART NO.	DESCRIPTION	LIST PRICE
1	1	2404-0361	Discharge Flange (3" NPT)	\$45.93
2	1	2404-0364	Inlet Flange (3" NPT)	\$47.19
3	1	0750-9033C	Mounting Flange (Gas Engine)	\$141.90
3	1	0750-9733C	Mounting Flange (NEMA C)	\$184.98
4	1	2406-0042	Fill Plug (1" NPT)	N/A
5	1	0400-9033C	Impeller w/shaft (1")	\$478.92
5	1	0400-9733C	Impeller w/shaft (1 3/8")	\$463.71
6	1	2406-0043	Drain Plug (1/2" NPT)	N/A

REF NO.	QTY REQ'D	PART NO.	DESCRIPTION	LIST PRICE
7	1	2250-0096	Nut 5/8-11 Zinc	\$3.45
8	1	3210-0095	Wear Plate	\$35.83
9	1	1700-0219	Discharge Flange Gasket (EPDM)	\$15.15
10	1	1700-0220	Flapper Valve Assembly (EPDM)	\$45.93
11	1	1710-0018	Gasket	\$3.59
12	8	2210-0161	Cap Screw Hex Head 3/8-16 x 1 1/8" Zinc	N/A
13	1	2120-0047	Mechanical Seal (Viton®)	\$135.57
14	1	2801-0008	Handle	\$76.97
15	2	1700-0221	Washer (Plastic)	\$1.10
16	1	1420-0033	Shaft Sleeve Clamp Assy. (1")	\$95.66
16	1	1420-0026	Shaft Sleeve Clamp Assy. (1.375")	\$59.55
17	6	2250-0097	Nut 3/8-24 SS	N/A
18	1	0150-9033C	Self Priming Chamber	\$334.48
19	2	2253-0011	Acorn Nut 3/8-16 SS	\$4.07
20	2	2215-0005	Screw Slotted Flat Head 3/8-16 x 1" SS	\$4.07
21	18	2260-0052	Lockwasher 3/8 Zinc	N/A
22	4	2210-0163	Cap Screw Hex Head 3/8-16 x 2 1/2" Zinc Gr 5	N/A
23	6	2205-0022	Stud 3/8-24	N/A
24	1	0550-9233	Pedestal Assembly (1")-not used with gas engine	N/A
N/S	1	2541-0048	13 HP PowerPro™ Engine	\$886.55
N/S	1	2541-0049	13 HP PowerPro™ Engine w/ Electric Start	\$1,066.96
N/S	1 pr.	1520-0099	Mounting Rails - zinc plated (std. on gas engine)	\$116.88