

HYPRO®

GAS ENGINE-DRIVEN CENTRIFUGAL PUMPS

Features:

- Closed coupled, gas engine-driven
- Max. fluid temperature: 140°
- Housing: Cast Iron
- Impeller: Nylon
- Pump seals: Viton®/ceramic standard; Life Guard silicon carbide (B) available
- Available with PowerPro, Briggs & Stratton® or Honda® engines



Cast Iron Gas Engine-Driven Centrifugal Pumps

PART NUMBER	MAX GPM	MAX PSI	PORT SIZES	PUMP SEALS	ENGINE MFG & HP	LIST PRICE
1521C-65	110	80	1-1/2" FPT Inlet x 1-1/4" FPT Outlet	Viton® / Ceramic	PowerPro® 6.5 HP	\$1,641.39
1521C-65M	110	80	1-1/2" FPT Inlet x 1-1/4" FPT Outlet	Viton® / Ceramic	PowerPro® 6.5 HP w/ Mounting Base	\$1,698.95
1536	110	75	1-1/2" FPT Inlet x 1-1/4" FPT Outlet	Viton® / Ceramic	Briggs & Stratton® 5.5 HP	\$1,750.97
1539	110	75	1-1/2" FPT Inlet x 1-1/4" FPT Outlet	Viton® / Ceramic	Briggs & Stratton® 5.5 HP without Mounting Base	\$1,573.88
1537	110	80	1-1/2" FPT Inlet x 1-1/4" FPT Outlet	Viton® / Ceramic	Honda® 5.5 HP	\$2,456.00
1540	110	80	1-1/2" FPT Inlet x 1-1/4" FPT Outlet	Viton® / Ceramic	Honda® 5.5 HP without Mounting Base	\$2,478.14
1538			1-1/2" FPT Inlet x 1-1/4" FPT Outlet	Viton® / Ceramic	LESS Motor - must use 5/8" threaded shaft engine	\$736.03

1521C-65, 1521C-65M

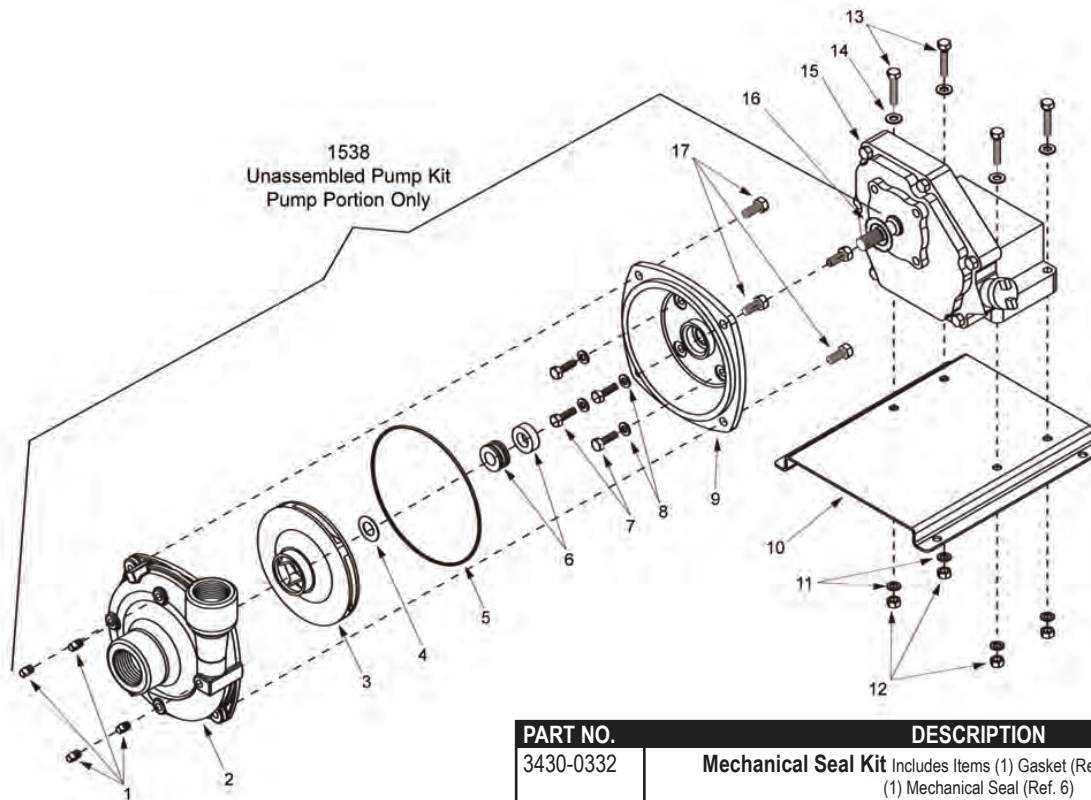
GPM at 10 PSI	GPM at 20 PSI	GPM at 30 PSI	GPM at 40 PSI	GPM at 50 PSI	GPM at 60 PSI	GPM at 70 PSI
110	106	96	88	80	60	30

1536, 1539

GPM at 10 PSI	GPM at 20 PSI	GPM at 30 PSI	GPM at 40 PSI	GPM at 50 PSI	GPM at 60 PSI
110	106	96	87	73	50

1537, 1540

GPM at 10 PSI	GPM at 20 PSI	GPM at 30 PSI	GPM at 40 PSI	GPM at 50 PSI	GPM at 60 PSI	GPM at 70 PSI
110	106	96	88	80	60	30



PART NO.	DESCRIPTION	LIST PRICE
3430-0332	Mechanical Seal Kit Includes Items (1) Gasket (Ref. 4), (1) O-ring (Ref. 5), (1) Mechanical Seal (Ref. 6)	\$75.70
3430-0589	Silicon Carbide Seal Kit Includes Items (1) O-ring (Ref. 5), (1) Mechanical Seal (Ref. 6)	\$293.94

REF NO.	QTY REQ'D	PART NO.	DESCRIPTION	LIST PRICE
1	4	2406-0016	Drain Plug - Replaced 2406-0007	\$11.10
2	1	0152-9000C	Pump Casing (includes SS wear ring)	\$592.95
3	1	0402-9200P	Impeller - Nylon	\$168.51
4	1	1700-0100	Gasket	\$6.28
5	1	1720-0083	O-ring	\$4.54
6	1	3430-0332	Mechanical Seal (Optional Buna-N)	\$75.70
6	1	3430-0589	Mechanical Seal (Standard Viton)(KIT)	\$293.94
7	4	2210-0098	Bolt	\$3.42
8	4	1700-0119	Seal	\$9.07
9	1	0703-9200C	Flange	\$252.13
10	1	1510-0083	Mounting Plate	\$121.63
11	4	2260-0002	Lockwasher	\$1.29
12	4	2250-0003	Nut	\$1.29

REF NO.	QTY REQ'D	PART NO.	DESCRIPTION	LIST PRICE
13	4	2210-0021	Bolt	\$1.25
14	4	2270-0040	Washer	\$1.04
15	1	2541-0033	Briggs & Stratton® Engine - 135232-0032-01*	\$1,134.55
15	1	2541-0046	PowerPro Engine - 6.5 HP	\$427.42
16	1	1410-0088	Bearing Shield (5 HP Briggs)	\$28.24
16	1	1410-0105	Bearing Shield (5.5 HP Briggs)	\$23.71
17	4	2210-0020	Bolt	\$1.23

**CATALOG IS LIST PRICE
PLEASE APPLY DISCOUNT**

HYPRO®

GAS ENGINE-DRIVEN CENTRIFUGAL PUMPS

Features:

- Closed coupled, gas engine-driven
- Max. fluid temperature: 140°
- Housing: Cast Iron
- Impeller: Nylon
- Pump seals: Viton®/ceramic standard; Life Guard silicon carbide (B) available
- Available with PowerPro or Honda® engines



Cast Iron Gas Engine-Driven Centrifugal Pumps

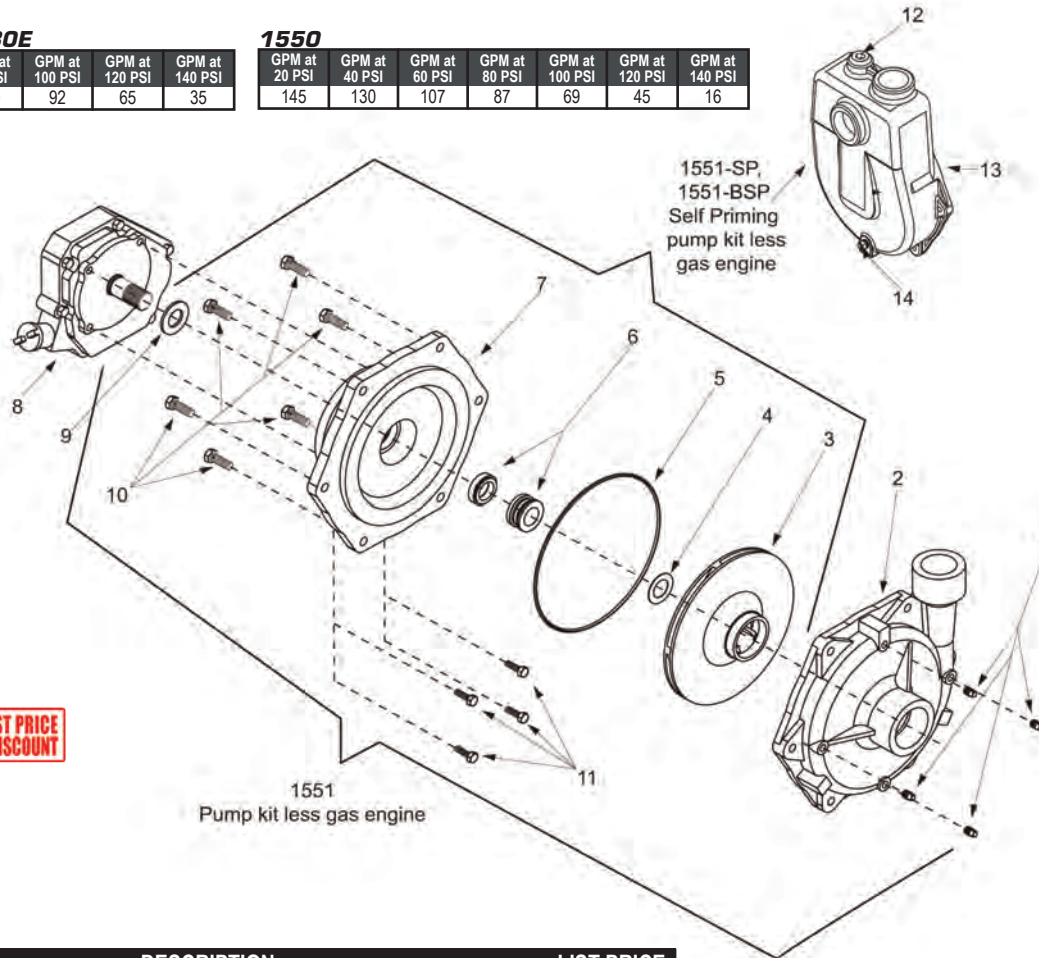
PART NUMBER	MAX GPM	MAX PSI	PORT SIZES	PUMP SEALS	ENGINE MFG & HP	LIST PRICE
1552C-130E	170	150	2" FPT Inlet x 1-1/2" FPT Outlet	Viton® / Ceramic	PowerPro® 13 HP w/ Electric Start	\$3,216.38
1550	150	140	2" FPT Inlet x 1-1/2" FPT Outlet	Viton® / Ceramic	Honda® 9 HP	\$3,858.33
1550-SP	155	135	2" FPT Inlet x 2" FPT Outlet	Viton® / Ceramic	Self-Priming - Honda® 9 HP	\$4,769.23
1551			2" FPT Inlet x 1-1/2" FPT Outlet	Viton® / Ceramic	LESS Motor - must use threaded shaft engine	\$1,393.47
1551-SP			2" FPT Inlet x 2" FPT Outlet	Viton® / Ceramic	LESS Motor - must use threaded shaft engine	\$2,303.27

1552C-130, 1552C-130E

GPM at 20 PSI	GPM at 40 PSI	GPM at 60 PSI	GPM at 80 PSI	GPM at 100 PSI	GPM at 120 PSI	GPM at 140 PSI
170	166	148	120	92	65	35

1550

GPM at 20 PSI	GPM at 40 PSI	GPM at 60 PSI	GPM at 80 PSI	GPM at 100 PSI	GPM at 120 PSI	GPM at 140 PSI
145	130	107	87	69	45	16



**CATALOG IS LIST PRICE
PLEASE APPLY DISCOUNT**

PART NO.	DESCRIPTION	LIST PRICE
3430-0464	Mechanical Seal Kit 1550, 1551 and 1552 Includes Items (1) Gasket (Ref. 4), (1) O-ring (Ref. 5), (1) Mechanical Seal (Ref. 6)	\$333.22

REF NO.	QTY REQ'D	PART NO.	DESCRIPTION	LIST PRICE
1	4	2406-0016	Drain Plug - Replaced 2406-0007	\$11.10
2	1	0153-9200C	Pump Casing (includes SS wear ring)	\$591.68
3	1	0404-9200P	Impeller (Nylon)	\$437.11
4	1	1700-0121	Gasket	\$13.04
5	1	1720-0180	O-ring	\$6.21
6	1	2120-0034	Mechanical Seal - Viton	\$323.08
7	1	0707-9200C	Flange	\$491.59

REF NO.	QTY REQ'D	PART NO.	DESCRIPTION	LIST PRICE
8	1	2541-0051	13 HP Power Pro (Electric Start)	\$1,001.66
9	1	1410-0091	Slinger Ring	\$6.41
10	6	2210-0086	Bolt	\$1.65
11	4	2210-0098	Bolt	\$3.42
12	1	2406-0034	Priming Port Plug - Self Priming (Standard)	\$7.59
13	1	0152-9075C	Pump Casing - Self Priming (Standard NPT)	\$1,967.62
14	1	2406-0002	Drain Plug - Self Priming	\$3.84

HYPRO®

PUMPS

GAS ENGINE-DRIVEN CENTRIFUGAL PUMPS

Features:

- Max. fluid temperature: 140°
- Housing: Cast Iron
- Impeller: Nylon
- Pump seals: Viton®/ceramic standard; Life Guard silicon carbide (B) available
- Available with PowerPro, Briggs & Stratton® or Honda® engines
- Fill Port 3/4" NPT



Cast Iron Gas Engine-Driven Centrifugal Pumps

PART NUMBER	MAX GPM	MAX PSI	PORT SIZES	PUMP SEALS	ENGINE MFG & HP	LIST PRICE
1522C-65SP	130	65	2" FPT Inlet x 2" FPT Outlet	Viton® / Ceramic	PowerPro® 6.5 HP	\$2,551.19
1536-SP	100	65	2" FPT Inlet x 2" FPT Outlet	Viton® / Ceramic	Briggs & Stratton® 5.5 HP	\$2,133.92
1539-SP	100	65	2" FPT Inlet x 2" FPT Outlet	Viton® / Ceramic	Briggs & Stratton® 5.5 HP without mounting base	\$2,098.51
1537-SP	106	75	2" FPT Inlet x 2" FPT Outlet	Viton® / Ceramic	Honda® 5.5 HP	\$3,062.54
1540-SP	106	75	2" FPT Inlet x 2" FPT Outlet	Viton® / Ceramic	Honda® 5.5 HP without mounting base	\$3,027.12
1538-SP			2" FPT Inlet x 2" FPT Outlet	Viton® / Ceramic	LESS Motor - must use 5/8" threaded shaft engine	\$1,268.40

1522C-65SP

GPM at 0 PSI	GPM at 10 PSI	GPM at 20 PSI	GPM at 30 PSI	GPM at 40 PSI	GPM at 50 PSI	GPM at 60 PSI	GPM at 65 PSI
130	121	108	93	76	56	34	0

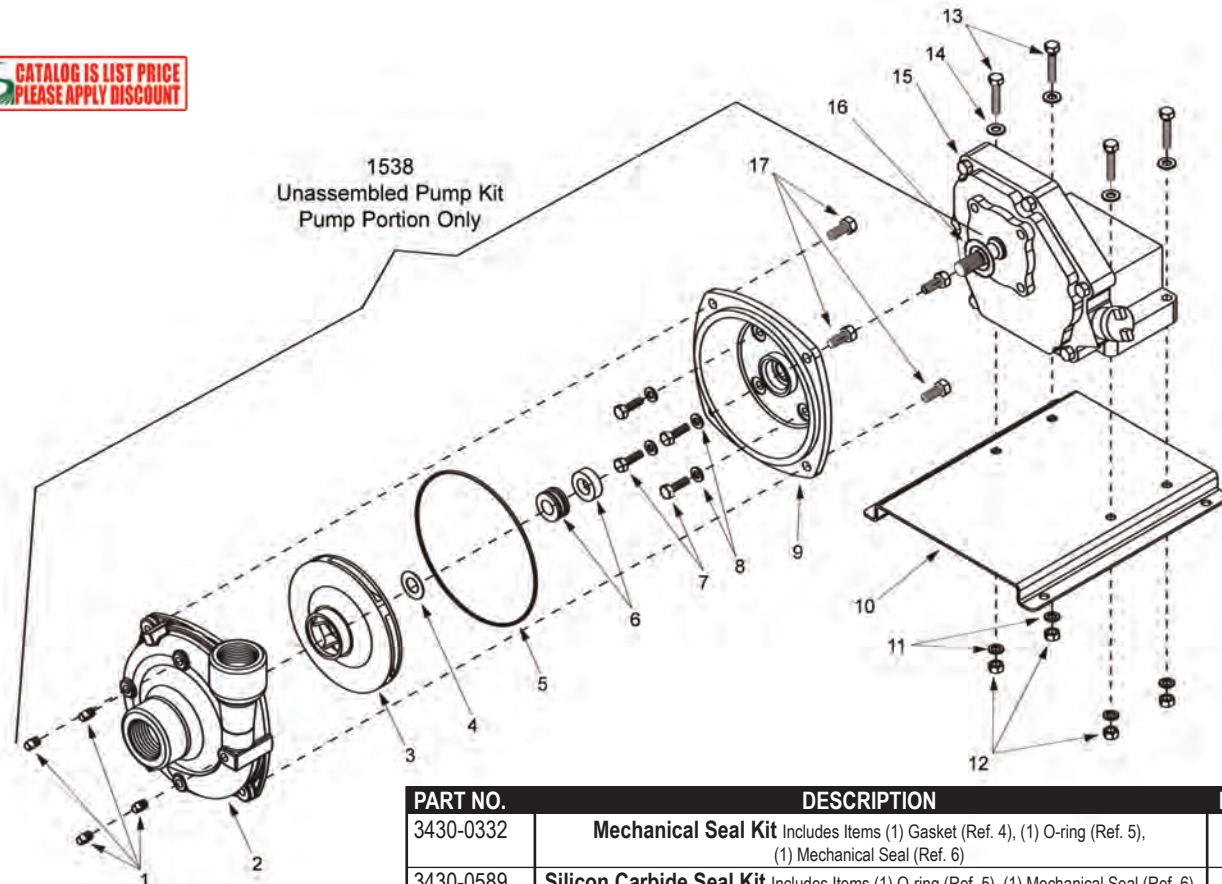
1536-SP, 1539-SP

GPM at 10 PSI	GPM at 20 PSI	GPM at 30 PSI	GPM at 40 PSI	GPM at 50 PSI	GPM at 60 PSI
92	81	67	55	40	15

1537-SP, 1540-SP

GPM at 10 PSI	GPM at 20 PSI	GPM at 30 PSI	GPM at 40 PSI	GPM at 50 PSI	GPM at 60 PSI
98	87	73	60	44	21

**CATALOG IS LIST PRICE
PLEASE APPLY DISCOUNT**



PART NO.	DESCRIPTION	LIST PRICE
3430-0332	Mechanical Seal Kit Includes Items (1) Gasket (Ref. 4), (1) O-ring (Ref. 5), (1) Mechanical Seal (Ref. 6)	\$75.70
3430-0589	Silicon Carbide Seal Kit Includes Items (1) O-ring (Ref. 5), (1) Mechanical Seal (Ref. 6)	\$293.94

REF NO.	QTY REQ'D	PART NO.	DESCRIPTION	LIST PRICE
1	4	2406-0001	Drain Plug	\$4.33
2	1	0152-9070C	Pump Casing (includes SS wear ring)	\$1116.21
3	1	0402-9200P	Impeller - Nylon	\$168.51
4	1	1700-0100	Gasket	\$6.28
5	1	1720-0083	O-ring	\$4.54
6	1	3430-0332	Mechanical Seal - Kit Only	\$75.70
6	1	3430-0589	Mechanical Seal (Silicon Carbide) Kit only	\$293.94
7	4	2210-0098	Bolt	\$3.42
8	4	1700-0119	Seal	\$9.07
9	1	0703-9200C	Flange	\$252.13
10	1	1510-0083	Mounting Plate	\$121.63

REF NO.	QTY REQ'D	PART NO.	DESCRIPTION	LIST PRICE
11	4	2260-0002	Lock Washer	\$1.29
12	4	2250-0003	Nut	\$1.29
13	4	2210-0021	Bolt	\$1.25
14	4	2270-0040	Washer	\$1.04
15	1	2541-0033	Briggs & Stratton® Engine *135232-0035-01	\$1134.55
15	1	2541-0034	Honda® Engine	\$2332.88
16	1	1410-0088	Bearing Shield (5 HP Briggs)	\$28.24
16	1	1410-0105	Bearing Shield (5.5 HP Briggs)	\$23.71
17	4	2210-0020	Bolt	\$1.23
18	1	2406-0002	Prime Port Plug	\$3.84