

# HYPRO®

## LOW PRESSURE, 2 DIAPHRAGM PUMP

Model 9910-D70 and D70GR

**Features:**

- Port size: 1-1/4" inlet, 1" outlet, hose barb
- Diaphragms: 2, semi-hydraulic, Desmopan® standard, Buna available
- Housing components for liquid handling; epoxy-coated
- Recommended control unit: 3300-0087 or 3300-0088
- Max. fluid temperature: 140°
- Pump shaft rotation: CW and CCW
- Weight: 22 lbs

**CATALOG IS LIST PRICE  
PLEASE APPLY DISCOUNT**



PART NUMBER	MAX GPM	MAX PSI	MAX RPM	DESCRIPTION	LIST PRICE
9910-D70	19.6	290	550	2 Diaphragm Pump	\$1,401.22
9910-D70GR	19.6	290	3600	3/4" hollow shaft w/ gear reduction for 5hp gas engine	\$2,330.94
9910-D70-HYD	19.6	290	550	coupled to a Eaton 2.2 CI Hydraulic motor, 5 GPM hyd flo	\$4,139.41

**REPAIR KITS**

PART NO.	DESCRIPTION	LIST PRICE
9910-KIT1720	Diaphragm Kit - Desmopan *AR BlueFlex P/N: AR43243	\$167.24
9910-KIT2364	Valve Kit	\$263.53
9910-KIT2365	O-Ring Kit	\$28.38

**9910-D70 PERFORMANCE CHART**

Pressure in PSI	@350 RPM		@400 RPM		@450 RPM		@500 RPM		@550 RPM	
	GPM	HP	GPM	HP	GPM	HP	GPM	HP	GPM	HP
0	13.6	.33	15.1	.40	16.9	.48	18.4	.58	19.6	.80
72	11.2	.73	12.7	.79	14.1	.91	15.6	1.01	17.0	1.09
145	11.0	1.20	12.4	1.39	13.9	1.63	15.2	1.66	16.6	1.91
217	10.7	1.71	12.3	2.10	13.8	2.19	15.1	2.36	16.3	2.63
290	10.6	2.18	12.1	2.46	13.7	2.77	15.0	3.12	16.1	3.39

## LOW PRESSURE, 3 DIAPHRAGM PUMP

Model 9910-D115 and D115GR34

**Features:**

- Port size: 1-1/2" inlet, 1" outlet, hose barb
- Diaphragms: 3, semi-hydraulic, Desmopan® standard, Buna available
- Housing components for liquid handling; epoxy-coated
- Recommended control unit: 3300-0087 or 3300-0088
- Max. fluid temperature: 140°
- Pump shaft rotation: CW and CCW
- Weight: 35 lbs



PART NUMBER	MAX GPM	MAX PSI	MAX RPM	DESCRIPTION	LIST PRICE
9910-D115	28.6	290	550	3 Diaphragm Pump	\$2,104.04
9910-D115GR34	28.6	290	3600	3/4" hollow shaft w/ gear reduction for 5hp gas engine	\$2,819.04

**REPAIR KITS**

PART NO.	DESCRIPTION	LIST PRICE
9910-KIT1721	Diaphragm Kit - Desmopan	\$236.97
9910-KIT2370	Valve Kit	\$391.50
9910-KIT2026	O-Ring Kit	\$33.93

**9910-D115 PERFORMANCE CHART**

Pressure in PSI	@350 RPM		@400 RPM		@450 RPM		@500 RPM		@550 RPM	
	GPM	HP	GPM	HP	GPM	HP	GPM	HP	GPM	HP
0	18.9	.33	21.4	.40	23.9	.45	26.4	.69	28.6	.91
72	18.6	1.13	20.7	1.18	23.4	1.40	25.5	1.62	27.9	1.83
145	18.3	1.89	20.5	2.13	23.2	2.47	25.3	2.82	27.7	2.99
217	18.2	2.72	20.4	3.11	23.1	3.51	25.1	3.88	27.6	4.33
290	18.0	3.45	20.3	3.98	22.9	4.54	25.0	5.09	27.5	5.51

## LOW PRESSURE, 3 DIAPHRAGM PUMP

Model 9910-D135

**Features:**

- Port size: 1-1/2" inlet, 1" outlet, hose barb
- Diaphragms: 3, semi-hydraulic, Desmopan® standard, Buna available
- Housing components for liquid handling; epoxy-coated
- Recommended control unit: 3300-0087 or 3300-0088
- Max. fluid temperature: 140°
- Pump shaft rotation: CW and CCW
- Weight: 38 lbs



PART NUMBER	MAX GPM	MAX PSI	MAX RPM	DESCRIPTION	LIST PRICE
9910-D135	33.9	290	550	3 Diaphragm Pump - 1-3/8" - 6 splined male shaft	\$2,675.85

**REPAIR KITS**

PART NO.	DESCRIPTION	LIST PRICE
9910-KIT1721	Diaphragm Kit - Desmopan	\$236.92
9910-KIT2370	Valve Kit	\$391.50
9910-KIT2026	O-Ring Kit	\$33.93

**9910-D135 PERFORMANCE CHART**

Pressure in PSI	@350 RPM		@400 RPM		@450 RPM		@500 RPM		@550 RPM	
	GPM	HP	GPM	HP	GPM	HP	GPM	HP	GPM	HP
0	22.6	.51	25.8	.69	28.8	.92	31.5	1.22	33.9	1.45
72	22.2	1.31	25.3	1.64	28.3	1.84	31.2	2.09	33.3	2.44
145	22.1	2.29	25.2	2.65	28.2	2.97	31.1	3.45	33.2	3.88
217	22.0	3.21	25.1	3.80	28.0	4.31	30.8	4.80	33.1	5.32
290	21.7	4.23	24.8	4.88	27.9	5.45	30.7	6.21	33.0	6.84

## LOW PRESSURE, 4 DIAPHRAGM PUMP

Model 9910-D160

**Features:**

- Port size: 2" inlet, 1-1/2" outlet, hose barb
- Diaphragms: 4, semi-hydraulic, Desmopan® standard, Buna available
- Housing components for liquid handling; epoxy-coated
- Recommended control unit: 3300-0087 or 3300-0088
- Max. fluid temperature: 140°
- Pump shaft rotation: CW and CCW
- Weight: 66 lbs



PART NUMBER	MAX GPM	MAX PSI	MAX RPM	DESCRIPTION	LIST PRICE
9910-D160	41.9	290	550	4 Diaphragm Pump - 1-3/8" - 6 splined male shaft	\$3,727.73

**REPAIR KITS**

PART NO.	DESCRIPTION	LIST PRICE
9910-KIT1730	Diaphragm Kit - Desmopan	\$293.94
9910-KIT2374	Valve Kit	\$518.19
9910-KIT1908	O-Ring Kit	\$58.91

**9910-D160 PERFORMANCE CHART**

Pressure in PSI	@350 RPM		@400 RPM		@450 RPM		@500 RPM		@550 RPM	
	GPM	HP	GPM	HP	GPM	HP	GPM	HP	GPM	HP
0	27.9	.61	32.1	.80	35.1	1.03	38.9	1.33	41.9	1.68
72	26.4	1.51	30.0	1.73	33.6	2.01	37.1	2.18	40.9	2.50
145	25.4	2.48	28.7	2.91	32.6	3.28	35.7	3.74	38.9	4.13
217	24.3	3.45	27.7	4.06	31.0	4.58	34.4	5.13	37.6	5.73
290	23.6	4.50	26.9	5.18	30.2	5.86	33.7	6.45	36.8	7.26

**HYPRO®**

**LOW PRESSURE, 6 DIAPHRAGM PUMP**

Series 9910-D250

**Features:**

- Port size: 2" inlet, 1-1/2" outlet, hose barb
- Diaphragms: 6, semi-hydraulic, Desmopan® standard, Buna available
- Housing components for liquid handling; epoxy-coated
- Recommended control unit: 3300-0082
- Max. fluid temperature: 140°
- Pump shaft rotation: CW and CCW
- Weight: 92 lbs



PART NUMBER	MAX GPM	MAX PSI	MAX RPM	DESCRIPTION	LIST PRICE
9910-D250	65.7	290	550	6 Diaphragm Pump - 1-3/8" - 6 splined male shaft	\$4,296.18

**REPAIR KITS**

PART NO.	DESCRIPTION	LIST PRICE
9910-KIT1722	Diaphragm Kit - Desmopan	\$396.15
9910-KIT2114	Valve Kit	\$775.39
9910-KIT1904	O-Ring Kit	\$66.52

**9910-D250 PERFORMANCE CHART**

Pressure in PSI	@350 RPM		@400 RPM		@450 RPM		@500 RPM		@550 RPM	
	GPM	HP	GPM	HP	GPM	HP	GPM	HP	GPM	HP
0	42.7	.71	48.3	.90	54.3	1.22	59.8	1.60	65.7	2.01
72	41.4	2.33	47.2	2.73	52.7	3.10	58.1	3.45	63.3	3.88
145	40.1	4.09	45.9	4.73	52.1	5.27	56.6	6.02	61.3	6.45
217	39.3	5.70	45.1	6.58	50.7	7.45	55.5	8.32	60.2	9.22
290	38.8	7.52	44.5	8.45	50.1	9.66	54.8	10.89	59.2	11.54

**MEDIUM PRESSURE, 2 DIAPHRAGM PUMP**

Model 9910-D252

**Features:**

- Port size: 3/4" inlet, 3/8" outlet(1/2" on D252), hose barb
- Diaphragms: 2, semi-hydraulic, Desmopan® standard, Buna available
- Housing: anodized aluminum
- Recommended control unit: 9910-KIT1990
- Max. fluid temperature: 140°
- Mounting base: included
- Weight: 14 lbs (GRGI models); 12 lbs (D252)



PART NUMBER	MAX GPM	MAX PSI	MAX RPM	DESCRIPTION	LIST PRICE
9910-D252	6.5	290	550	2 Diaphragm Pump - 3/4" solid keyed shaft	\$1,010.51
9910-D252GRGI	6.5	290	3600	2 Diaphragm Pump - 3/4" hollow shaft	\$1,397.90
9910-D252GRGI58	5.5	290	3600	2 Diaphragm Pump - 5/8" hollow shaft	\$1,397.90
9910-D252GRGIAP	6.5	290	3600	3/4" hollow input shaft with 5/8" output solid shaft	\$1,397.90

**REPAIR KITS**

PART NO.	DESCRIPTION	LIST PRICE
9910-KIT1723	Diaphragm Kit - Desmopan *AR BlueFlex P/N: AR43281	\$109.28
9910-KIT2408	Valve Kit	\$83.94
9910-KIT2409	O-Ring Kit	\$20.23

**9910-D252 PERFORMANCE CHART**

Pressure in PSI	@450 RPM		@500 RPM		@550 RPM		@600 RPM		@650 RPM	
	GPM	HP	GPM	HP	GPM	HP	GPM	HP	GPM	HP
0	4.8	.15	5.4	.19	5.9	.23	6.1	.25	6.5	.27
72	4.1	.33	4.6	.37	5.0	.42	5.5	.45	5.9	.46
145	4.0	.49	4.4	.57	4.8	.64	5.3	.65	5.6	.72
217	3.9	.66	4.3	.76	4.7	.82	5.2	.89	5.5	.97
290	3.8	.84	4.2	.94	4.6	1.02	5.1	1.12	5.4	1.21

Replacement Parts on Page 283

**MEDIUM PRESSURE, 2 DIAPHRAGM PUMP**

Model 9910-D30

**Features:**

- Port size: 1" inlet, 1/2" outlet, hose barb
- Shaft: flanged for shaft kit (D30); flanged w/ 3/4" shaft ext (D30AP-A)
- Diaphragms: 2, semi-hydraulic, Desmopan® standard, Buna available
- Recommended control unit: 9910-GS40GI
- Max. fluid temperature: 140°
- Pump shaft rotation: CW and CCW
- Housing components for liquid handling: epoxy-coated
- Weight: 23 lbs (D30); 33 lbs (D30GRGI); 24 lbs (D30AP-A)



PART NUMBER	MAX GPM	MAX PSI	MAX RPM	DESCRIPTION	LIST PRICE
9910-D30	9.6	580	550	2 Diaphragm Pump	\$1,262.87
9910-D30AP-A	9.6	580	550	same pump as 9910-D30 with 3/4" solid thru shaft	\$1,346.98
9910-D30GRGI	9.6	580	3600	assembled w/ gearbox & control for mounting on 5 hp gas engine	\$2,264.53
9910-D30-B-GRGI	9.6	580	3600	same pump as 9910-D30GRGI with Buna-N diaphragms	\$2,264.53

**REPAIR KITS**

PART NO.	DESCRIPTION	LIST PRICE
9910-KIT1724	Diaphragm Kit - Desmopan *AR BlueFlex P/N: AR43285	\$140.62
9910-KIT1917	Valve Kit	\$224.25
9910-KIT1916	O-Ring Kit	\$75.70

**9910-D30 PERFORMANCE CHART**

Pressure in PSI	@350 RPM		@400 RPM		@450 RPM		@500 RPM		@550 RPM	
	GPM	HP	GPM	HP	GPM	HP	GPM	HP	GPM	HP
0	6.1	.13	6.9	.16	7.8	.19	8.7	.24	9.6	.28
145	5.7	.55	6.6	.66	7.2	.76	8.1	.85	9.3	.90
290	5.6	1.00	6.3	1.14	7.1	1.29	7.8	1.47	8.8	1.64
465	5.5	1.46	5.9	1.67	6.9	1.89	7.7	2.06	8.6	2.27
580	5.2	1.90	5.8	2.11	6.8	2.41	7.5	2.71	8.3	2.94

Replacement Parts on Page 284

**CONTROL UNITS**

One adjustable relief valve, one pressure/bypass selector, 5/8" hose barb bypass port and 3/8" hose barb outlet.



**CONTROL UNIT - D252**

PART NO.	DESCRIPTION	LIST PRICE
9910-KIT1990	Control Unit	\$192.58

Pressure gauge, one adjustable high pressure relief valve, one complete bypass lever, two 1/2" hose barb outlets with individual shutoffs, and 3/4" hose barb bypass;



Remote mounting kit: 9910-KIT1741

**CONTROL UNIT - D30**

PART NO.	DESCRIPTION	LIST PRICE
9910-GS40GI	Control Unit	\$370.35

CATALOG IS LIST PRICE PLEASE APPLY DISCOUNT



# HYPRO®

## MEDIUM PRESSURE, 3 DIAPHRAGM PUMP

Series 9910-D403

**Features:**

- Port size: 1" inlet, 1/2" outlet, hose barb
- Diaphragms: 3, semi-hydraulic, Desmopan® standard, Buna available
- Mounting base: included
- Recommended control unit: 9910-GR40
- Weight: 23 lbs (D403); 32 lbs (D403GRGI)
- Max. fluid temperature: 140°
- Housing: anodized aluminum
- Shaft: flanged for kit attachment (D403); 3/4" hollow shaft for gas engine mount (D403GRGI)



**Replacement Parts on Page 285**

PART NUMBER	MAX GPM	MAX PSI	MAX RPM	DESCRIPTION	LIST PRICE
9910-D403	9.9	580	550	3 Diaphragm Pump	\$1,306.03
9910-D403GRGI	9.9	580	3600	assembled w/ gearbox & control for mounting on 5 hp gas engine	\$2,377.42

**REPAIR KITS**

PART NO.	DESCRIPTION	LIST PRICE
9910-KIT2423	Diaphragm Kit - Desmopan *AR BlueFlex P/N: AR43289	\$90.59
9910-KIT2388	Valve Kit	\$211.59
9910-KIT2389	O-Ring Kit	\$25.45

**9910-D403 PERFORMANCE CHART**

Pressure in PSI	@350 RPM		@400 RPM		@450 RPM		@500 RPM		@550 RPM	
	GPM	HP	GPM	HP	GPM	HP	GPM	HP	GPM	HP
0	6.3	.22	7.3	.33	8.0	.41	8.9	.54	9.9	.61
145	6.2	.73	7.1	.91	7.9	1.07	8.8	1.12	9.8	1.21
290	6.1	1.21	7.0	1.41	7.8	1.63	8.7	1.82	9.7	2.03
465	6.0	1.80	6.8	2.02	7.7	2.34	8.6	2.61	9.6	2.84
580	5.9	2.36	6.7	2.65	7.6	2.91	8.4	3.30	9.5	3.62

## MEDIUM PRESSURE, 2 DIAPHRAGM PUMP

Model 9910-D50

**Features:**

- Port size: 1-1/4" inlet, 1/2" outlet, hose barb
- Diaphragms: 2, full-hydraulic, Desmopan® standard, Buna available
- Housing components for liquid handling: epoxy coated
- Recommended control unit: 9910-GS40GI
- Max. fluid temperature: 140°
- Pump shaft rotation: CW and CCW
- Weight: 35 lbs



PART NUMBER	MAX GPM	MAX PSI	MAX RPM	DESCRIPTION	LIST PRICE
9910-D50	14.8	580	550	2 Diaphragm Pump	\$1,788.60
9910-D50-B	14.8	580	550	same as 9910-D50 with Buna-N diaphragms	\$1,788.60
9910-D50AP-A	14.8	580	550	same as 9910-D50 with solid 1" thru shaft	\$1,873.82
9910-D50-B-AP-A	14.8	580	550	same as 9910-D50 with solid 1" thru shaft & Buna-N diaphragms	\$1,873.82

**REPAIR KITS**

PART NO.	DESCRIPTION	LIST PRICE
9910-KIT1725	Diaphragm Kit - Desmopan	\$187.51
9910-KIT1920	Valve Kit	\$253.40
9910-KIT1919	O-Ring Kit	\$64.93

**9910-D50 PERFORMANCE CHART**

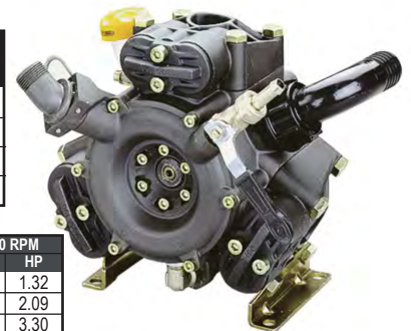
Pressure in PSI	@350 RPM		@400 RPM		@450 RPM		@500 RPM		@550 RPM	
	GPM	HP	GPM	HP	GPM	HP	GPM	HP	GPM	HP
0	9.7	.36	11.9	.49	12.3	.64	13.2	.77	14.8	.94
145	9.3	1.08	11.5	1.25	11.9	1.49	12.9	1.59	14.6	1.76
290	9.1	1.85	11.0	2.09	11.7	2.40	12.6	2.72	14.5	2.97
465	8.8	2.61	10.8	3.00	11.6	3.41	12.0	3.80	14.4	4.03
580	8.6	3.44	10.3	3.77	11.4	4.38	11.9	4.92	14.1	5.17

## MEDIUM PRESSURE, 3 DIAPHRAGM PUMP

Model 9910-D503

**Features:**

- Port size: 1-1/4" inlet, 1/2" outlet, hose barb
- Diaphragms: 2, full-hydraulic, Desmopan® standard, Buna available
- Housing components for liquid handling: epoxy coated
- Recommended control unit: 9910-GS40GI
- Max. fluid temperature: 140°
- Pump shaft rotation: CW and CCW
- Weight: 35 lbs



PART NUMBER	MAX GPM	MAX PSI	MAX RPM	DESCRIPTION	LIST PRICE
9910-D503	14.3	580	550	3 Diaphragm Pump	\$1,788.60
9910-D503-B	14.3	580	550	same as 9910-D503 with Buna-N diaphragms	\$1,788.60
9910-D503GRGI	14.3	580	3600	assembled w/ gearbox & control for mounting on 5 hp gas engine	\$3,033.76
9910-D503GRGI34	14.3	290	3600	assembled w/ gearbox & control for mounting on 5-6.5 hp gas engine	\$2,858.88

**REPAIR KITS**

PART NO.	DESCRIPTION	LIST PRICE
9910-KIT1881	Diaphragm Kit - Desmopan *AR BlueFlex P/N: AR43297	\$139.37
9910-KIT1987	Valve Kit	\$367.42
9910-KIT1984	O-Ring Kit	\$56.38

**9910-D503 PERFORMANCE CHART**

Pressure in PSI	@350 RPM		@400 RPM		@450 RPM		@500 RPM		@550 RPM	
	GPM	HP	GPM	HP	GPM	HP	GPM	HP	GPM	HP
0	9.4	.52	12.1	.86	12.6	.91	13.4	1.09	14.3	1.32
145	9.0	1.24	11.6	1.68	11.9	1.72	13.2	1.85	14.1	2.09
290	8.9	2.05	11.4	2.67	11.7	2.74	12.8	3.01	13.8	3.30
465	8.7	2.78	11.3	3.72	11.6	3.90	12.6	4.14	13.8	4.41
580	8.5	3.56	11.0	4.67	11.4	4.83	12.2	5.37	13.8	5.49

## CONTROL UNITS

Pressure gauge, adjustable high pressure relief valve, complete bypass lever, 2-1/2" pressure gauge, two 1/2" hose barb outlets with individual shutoffs, and 5/8" hose barb bypass; Remote mounting kit: 9910-KIT1741



**CONTROL UNIT - D403**

PART NO.	DESCRIPTION	LIST PRICE
9910-GR40	Control Unit	\$455.39

Pressure gauge, one adjustable high pressure relief valve, one complete bypass lever, two 1/2" hose barb outlets with individual shutoffs, and 3/4" hose barb bypass;



Remote mounting kit: 9910-KIT1741

**CONTROL UNIT - D50/503**

PART NO.	DESCRIPTION	LIST PRICE
9910-GS40GI	Control Unit	\$370.35

**CATALOG IS LIST PRICE PLEASE APPLY DISCOUNT**

# HYPRO®

## HIGH PRESSURE, 3 DIAPHRAGM PUMP

Series 9910-D813

**Features:**

- Port size: 1-1/4" hose barb inlet, 3/4" NPT outlet
- Diaphragms: 3, semi-hydraulic, Desmopan® standard, Buna available
- Mounting base: included
- Recommended control unit: 9910-VDR50 or 9910-GS50GI
- Pump shaft rotation: CW and CCW
- Max. fluid temperature: 140°
- Housing: anodized aluminum
- Shaft: flanged adapter and 1-3/8" - 6 splined male shaft ext. (D813); 1" hollow shaft for gas engine mount (D813GRGI)
- Weight: 50 lbs (D813); 66 lbs (D813GRGI)



PART NUMBER	MAX GPM	MAX PSI	MAX RPM	DESCRIPTION	LIST PRICE
9910-D813	20.8	725	550	3 Diaphragm Pump - 1-3/8" 6 splined male shaft extension	\$2,294.41
9910-D813GRGI	20.8	725	3600	assembled w/ gearbox & control for mounting on 13 hp gas engine	\$3,926.95

**REPAIR KITS**

PART NO.	DESCRIPTION	LIST PRICE
9910-KIT2479	Diaphragm Kit - Desmopan	\$178.64
9910-KIT1963	Valve Kit	\$345.88
9910-KIT2376	O-Ring Kit	\$90.59

**9910-D813 PERFORMANCE CHART**

Pressure in PSI	@350 RPM		@400 RPM		@450 RPM		@500 RPM		@550 RPM	
	GPM	HP	GPM	HP	GPM	HP	GPM	HP	GPM	HP
0	14.7	.41	17.0	.64	18.2	.74	19.8	.93	20.8	1.12
217	13.9	2.23	16.1	2.51	17.8	2.93	19.5	3.40	19.9	3.61
435	13.6	4.06	15.6	4.65	17.4	5.26	19.1	5.8	19.7	6.23
580	13.5	5.22	15.3	6.03	17.2	6.81	18.4	7.51	19.2	8.01
725	13.4	6.30	15.0	7.31	16.9	8.33	17.9	9.23	19.0	9.82

## HIGH PRESSURE, 4 DIAPHRAGM PUMP

Model 9910-D1064

**Features:**

- Port size: 1-1/2" barb inlet, 3/4" NPT outlet
- Diaphragms: 4, semi-hydraulic, Desmopan® standard, Buna available
- Housing: anodized aluminum
- Recommended control unit: 9910-VDR50 or 9910-GS50GI
- Weight: 50 lbs (D1064); 76 lbs (D1064GRGI)
- Max. fluid temperature: 140°
- Pump shaft rotation: CW and CCW
- Shaft: flanged adapter and 1-3/8" 6 splined male shaft ex (D1064); 1" hollow shaft for gas engine mount (D1064GRGI)



PART NUMBER	MAX GPM	MAX PSI	MAX RPM	DESCRIPTION	LIST PRICE
9910-D1064	28.7	725	550	4 Diaphragm Pump - 1-3/8" 6 splined male shaft extension	\$2,522.41
9910-D1064-B	28.7	725	550	same as 9910-D1064 with Buna-N diaphragms	\$2,598.78
9910-D1064GRGI	28.7	725	3600	assembled w/ gearbox & control for mounting on 18 hp gas engine	\$4,230.22

**REPAIR KITS**

PART NO.	DESCRIPTION	LIST PRICE
9910-KIT2480	Diaphragm Kit - Desmopan	\$211.59
9910-KIT1964	Valve Kit	\$457.38
9910-KIT2378	O-Ring Kit	\$111.81

**9910-D1064 PERFORMANCE CHART**

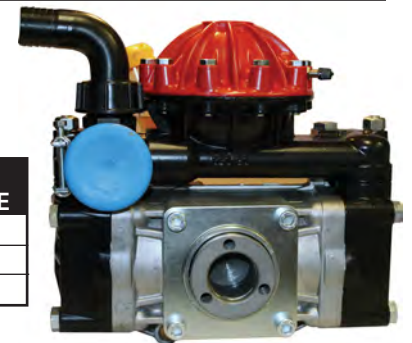
Pressure in PSI	@350 RPM		@400 RPM		@450 RPM		@500 RPM		@550 RPM	
	GPM	HP	GPM	HP	GPM	HP	GPM	HP	GPM	HP
0	19.6	.75	22.4	1.04	25.2	1.33	27.1	1.59	28.7	1.90
217	18.8	2.95	21.6	3.41	24.5	3.92	26.8	4.33	28.5	4.71
435	18.4	5.40	21.1	6.20	23.9	7.01	26.2	7.77	28.3	8.28
580	18.2	7.01	21.0	8.05	23.7	9.12	26.0	10.06	28.0	10.79
725	18.0	8.65	20.8	9.88	23.3	11.18	25.9	12.38	27.8	13.13



**Features:**

- Port size: 1-1/4" barb inlet, 1/2" NPT outlet
- Diaphragms: Blueflex, Desmopan or iton®
- Die-cast casing with oil-immersed mechanism and clear plastic tank for visual level checking
- Pistons with ring for more efficient "oil cushion" system to protect the diaphragm

## AR40 DIAPHRAGM PUMP



PART NUMBER	MAX GPM	MAX PSI	HP	DESCRIPTION	LIST PRICE
AR40-SP	12.2	580	3.5	2 Diaphragm Pump with flange for shaft ki	\$1,181.00
AR40-SP/A/3/4	12.2	580	3.5	3/4" solid keyed thru shaft	\$1,258.72
AR40-GR3/4-GCI	12.2	580	3.5	Gear Reduction with 3/4" hollow shaft	\$2,013.75

**DIAPHRAGM KITS**

PART NO.	DESCRIPTION	LIST PRICE
AR43285	Diaphragm Kit - BlueFlex	\$82.68
AR43283	Diaphragm Kit - Desmopan	\$75.65
AR43282	Diaphragm Kit - Buna	\$77.35

**VALVE KITS**

PART NO.	DESCRIPTION	LIST PRICE
AR1917	Valve Kit	\$159.15

**O-RING KITS**

PART NO.	DESCRIPTION	LIST PRICE
AR1916	O-ring Kit	\$14.58

**OIL**

PART NO.	DESCRIPTION	LIST PRICE
AR64516	Oil	\$11.46

**Replacement Parts on Page 286**



SP Version  
Flanged shaft for Shaft Kits



GR-GCI3/4 Version  
Gear Reduction AR1636 with 3/4" Hollow Shaft and GI40 Control Unit



SP/A/3/4 Version  
SP Version with 3/4" Solid Keyed Thru Shaft



**HYPRO®**

**DIAPHRAGM CONTROL UNITS**



REF NO.	MODEL	FOR PUMP MODEL	INCLUDES	MAX FLOW	MAX PSI	LIST PRICE
1	9910-GS25	9910-DP423	Pressure gauge, adjustable high pressure relief valve, 1/2" HB outlet with ball valve shutoff, bypass lever, 3/4" HB bypass, 1" HB inlet	11 GPM	290 PSI	\$354.69
2	9910-GS35S	9910-DP573 & 9910-DP763	Pressure gauge, adjustable high pressure relief valve, two 1/2" HB outlet with ball valve shutoff, bypass lever, 3/4" HB bypass, 1" HB inlet	24 GPM	290 PSI	\$358.04
3	9910-KIT1990	9910-D252	One adjustable relief valve, one pressure/bypass selector, 5/8" HB bypass port and 3/8" HB outlet	6 GPM	290 PSI	\$192.58
4	9910-GS40GI	9910-D30 & 9910-D50	Pressure gauge, one adjustable high pressure relief valve, one complete bypass lever, two 1/2" HB outlets with individual shut-offs, and 3/4" hose barb bypass; Remote mounting kit: 9910-KIT1741	21 GPM	580 PSI	\$370.35
5	9910-GR40	9910-D303 & 9910-D403	Pressure gauge, adjustable high pressure relief valve, complete bypass lever, 2-1/2" pressure gauge, two 1/2" hose barb outlets with individual shut-offs, and 5/8" hose barb bypass; Remote mounting kit: 9910-KIT1741	11 GPM	580 PSI	\$455.39
6	9910-RM40	9910-D503	Pressure gauge, one adjustable high pressure relief valve, one complete bypass knob, two 1/2" HB outlets with individual shut-offs, and 1" hose barb bypass; Remote mounting kit: 9910-KIT1897 (Includes: mounting bracket, bolts, and hose barb)	24 GPM	580 PSI	\$515.66
7	9910-GS50GI	9910-D813, D1064, D1265 & D1516	Pressure gauge, one adjustable high pressure relief valve, one complete bypass lever, three 1/2" HB outlets with individual shut-offs, and 1" hose barb bypass; Remote mounting kit: 9910-KIT1742 (Includes: mounting bracket, bolts, and hose barb)	48 GPM	725 PSI	\$721.68
8	9910-VDR50	9910-D813, D1064 & D1265	Pressure gauge, one adjustable high pressure relief valve, one complete bypass lever, two 1/2" HB outlets with individual shut-offs, and 1" hose barb bypass	35 GPM	725 PSI	\$984.44
9	3300-0087 3300-0088	9910-D70, D115, D135 & D160	One built-in relief valve, one 1" HB inlet, three 3/4", 1/2" and 3/8" HB outlets with individual shut-offs; Model-0088 includes a main bypass lever	42.5 GPM	290 PSI	\$817.20 \$1,204.90
10	3300-0082	9910-D250	Pressure gauge, one built-in adjustable relief valve, one main shut-off and complete bypass lever, four 3/4" HB outlets with individual shut-offs, and 1-1/2" hose barb bypass	66 GPM	290 PSI	N/A
11	9910-BMH50	9910-DBS110, 140, 160, 200 9910-DBA110, 140, 160 & 200	Directional control unit with working pressure regulating valve, single lever for partial or total closure and discharge and glycerine-bath pressure gauge with colored dial	41 GPM	725 PSI	\$823.54
12	9910-GH50		Working pressure regulating valve, bypass control lever and glycerine-bath pressure gauge with colored dial	52.8 GPM	725 PSI	\$572.87



**CATALOG IS LIST PRICE  
PLEASE APPLY DISCOUNT**

**PUMP AND GEAR REDUCTION KITS**

PART NO.	DESCRIPTION	LIST PRICE
9910-KIT1640	For Pump Models 9910-D30, D303 and D403; 6:1 gear box; for standard 5.5 hp gas engine with 3/4" shaft; Can be used with 9910-D50, D503 and D813, providing that pumps are operated at lower pressures that do not exceed 5 hp gas engine compatibility	\$974.31
9910-KIT1642	For Pump Models 9910-D50, D503, D813, D1064 and D1265; 6:1 gear box; for standard 8-18 hp gas engine with 1" shaft	\$1,216.30
8000-0056	For Pump Models 9910-D30, D403, D50 and D503; Engine mounting flange designed for ease of assembly with standard tools; Robust 6:1 gear design for increases longevity; Increased oil capacity; Made for use on gas engines with 3/4" shaft; Available pre-assembled on HRGI models.	\$948.97

**1-3/8" - 6 SPLINE FEMALE PTO SHAFT KIT**

PART NO.	DESCRIPTION	LIST PRICE
9910-KIT1704	For Model 9910-D50, D30, D303 and D403 pumps	\$411.77
9910-KIT1708	For Model 9910-D70 and D115 pumps	\$373.76
9910-KIT2204	For Model 9910-D503, D813, D1064 and D1265 pumps	\$371.22

**1-3/8" - 6 SPLINE MALE PTO SHAFT KIT**

PART NO.	DESCRIPTION	LIST PRICE
9910-KIT1702	For Model 9910-D30 pump	\$247.06
9910-KIT1706	For Model 9910-D50 pump	\$306.61
9910-KIT1710	For Model 9910-D70 and D115 pumps	\$433.31
9910-KIT2200	For Model 9910-D503, D303 and D403 pumps	\$222.99
9910-KIT2201	For Model 9910-D813, D1064 and D1265 pumps	\$222.99

**1" SOLID SHAFT KIT**

PART NO.	DESCRIPTION	LIST PRICE
9910-KIT1703	For Model 9910-D30 pump	\$247.06
9910-KIT1707	For Model 9910-D50 pump	\$306.61
9910-KIT1711	For Model 9910-D70 and D115 pumps	\$432.04
9910-KIT2202	For Model 9910-D503, D303 and D403 pumps	\$222.99
9910-KIT2203	For Model 9910-D813, D1064 and D1265 pumps	\$222.99

HYPRO DIAPHRAGM PUMP KITS			
For Pump Model 9910-	Kit Model Number	Description	Price
D70	9910-KIT1720	Diaphragm Kit (Desmopan)	\$167.24
	9910-KIT2364	Valve Kit	\$263.53
	9910-KIT2365	O-Ring Kit	\$28.38
D115 and D135	9910-KIT1721	Diaphragm Kit (Desmopan)	\$236.92
	9910-KIT2370	Valve Kit	\$391.50
	9910-KIT2026	O-Ring Kit	\$33.93
D160	9910-KIT1730	Diaphragm Kit (Desmopan)	\$293.94
	9910-KIT2374	Valve Kit	\$518.19
	9910-KIT1908	O-Ring Kit	\$58.91
D250	9910-KIT1722	Diaphragm Kit (Desmopan)	\$421.90
	9910-KIT2114	Valve Kit	\$775.39
	9910-KIT1904	O-Ring Kit	\$66.52
D12GRGI	9910-KIT1882	Diaphragm Kit (Desmopan)	\$94.39
	9910-KIT1992	Valve Kit	\$146.97
D503	9910-KIT1881	Diaphragm Kit (Desmopan)	\$139.37
	9910-KIT1987	Valve Kit	\$367.42
	9910-KIT1984	O-Ring Kit	\$56.38
D252 All Versions	9910-KIT1723	Diaphragm Kit (Desmopan)	\$109.28
	9910-KIT2408	Valve Kit	\$83.94
	9910-KIT2409	O-Ring Kit	\$20.23
D30 All Versions	9910-KIT2110	Diaphragm Kit (Buna-N)	\$139.37
	9910-KIT1724	Diaphragm Kit (Desmopan)	\$140.63
	9910-KIT1917	Valve Kit	\$224.25
	9910-KIT1916	O-Ring Kit	\$75.70
D50	9910-KIT2111	Diaphragm Kit (Buna-N)	\$172.31
	9910-KIT1725	Diaphragm Kit (Desmopan)	\$187.51
	9910-KIT1920	Valve Kit	\$253.40
	9910-KIT1919	O-Ring Kit	\$64.93
	9910-KIT2444	Diaphragm Kit (Desmopan)	\$153.30
DBS110, DBS140, DBA110 & DBA140	9910-KIT2445	Valve Kit	\$338.28
	9910-KIT2446	O-Ring Kit	\$38.33
	9910-KIT2456	Diaphragm Kit (Desmopan)	\$202.72
D160, DBS200, DBA160 & DBA200	9910-KIT2374	Valve Kit	\$518.19
	9910-KIT2457	O-Ring Kit	\$41.81
	9910-KIT2423	Diaphragm Kit (Desmopan)	\$90.59
D303	9910-KIT2388	Valve Kit	\$211.59
	9910-KIT2389	O-Ring Kit	\$25.45
	9910-KIT2423	Diaphragm Kit (Desmopan)	\$90.59
D403	9910-KIT2388	Valve Kit	\$211.59
	9910-KIT2389	O-Ring Kit	\$25.45
	9910-KIT2479	Diaphragm Kit (Desmopan)	\$178.64
D813	9910-KIT1963	Valve Kit	\$345.88
	9910-KIT2376	O-Ring Kit	\$90.59
	9910-KIT2480	Diaphragm Kit (Desmopan)	\$211.59
D1064	9910-KIT1964	Valve Kit	\$457.38
	9910-KIT2378	O-Ring Kit	\$111.81
	9910-KIT2100	Diaphragm Kit (Desmopan)	\$385.16
D1265	9910-KIT2024	Valve Kit	\$429.51
	9910-KIT2347	O-Ring Kit	\$73.48
	9910-KIT1734	Diaphragm Kit (Desmopan)	\$364.89
D1554	9910-KIT1965	Valve Kit	\$619.55
	9910-KIT1972	O-Ring Kit	\$402.90
	9910-KIT2113	Diaphragm Kit (Desmopan)	\$343.35
D1516	9910-KIT2053	Valve Kit	\$548.60
	9910-KIT2349	O-Ring Kit	\$87.42



**SHURFLO®**

**12 VOLT & 110 VOLT DIAPHRAGM PUMPS**



8000 SERIES



2088 SERIES



4111-035



5059 SERIES

**WIRE LOOM  
WITH TOGGLE  
SWITCH**

**PART NO: SP-8  
LIST PRICE: \$64.63**

**8000 SERIES** • Standard Features: 3/8" FPT Ports, 160°F Max Temperature, Primes up to 8', Polypropylene Body

PART NUMBER	DESCRIPTION	VOLT	AMP	GPM	POWER	PSI	VALVE	DIAPHRAGM	LIST PRICE
8000-543-236	12V Pump Assy, 60 PSI Demand Switch	12V	6.4	1.8	Demand	60	Viton®	Santoprene	\$176.81
8000-543-210	12V Pump Assy, 45 PSI Internal Bypass	12V	5.5	1.3	Bypass	40	Viton®	Santoprene	\$170.48
8000-543-238	12V Pump Assy, 100 PSI Demand Switch	12V	8.7	1.8	Demand	100	Viton®	Santoprene	\$183.88
8000-941-260	12V Pump Assy, 100 PSI Internal Bypass (Foamer)	12V	3.8	1.0	Bypass	100	EPDM	Santoprene	\$209.02
8000-541-236	12V Pump Assy, 60 PSI Demand Switch	12V	5.0	1.0	Demand	60	Viton®	Santoprene	\$157.92
8000-543-250	12V Pump Assy, 50 PSI Internal Bypass	12V	5.5	1.4	Bypass	50	Viton®	Santoprene	\$172.10
8000-713-238	110V Pump Assy, 100 PSI Demand Switch	110V	0.84	1.6	Demand	100	EPDM	Santoprene	\$249.88
8000-533-250	110V Pump Assy, 50 PSI Internal Bypass	110V	0.54	1.4	Bypass	50	Viton®	Santoprene	\$231.03

**2088 SERIES** • Standard Features: 1/2" MPT Ports, 160°F Max Temperature, Polypropylene Body

PART NUMBER	DESCRIPTION	VOLT	AMP	GPM	POWER	PSI	VALVE	DIAPHRAGM	LIST PRICE
2088-443-144	12V Pump Assy, 45 PSI Demand Switch	12V	9.1	3.5	Demand	45	Santoprene	Santoprene	\$200.55
2088-343-135	12V Pump Assy, 45 PSI Demand Switch	12V	7.7	3.0	Demand	45	Viton®	Santoprene	\$211.00
2088-313-145	12V Pump Assy, 45 PSI Demand Switch (Heatsink)	12V	6.0	3.6	Demand	45	Viton®	Santoprene	\$346.55
2088-394-144	115V Pump Assy, 45 PSI Demand Switch w/ Cord	115V	0.7	3.0	Demand	45	Viton®	Santoprene	\$321.75
2088-594-144	115V Pump Assy, 45 PSI Demand Switch w/ Cord	115V	1.5	3.0	Demand	45	Santoprene	Santoprene	\$269.74
2088-594-154	110V Pump Assy, 45 PSI Demand Switch	110V	0.9	3.3	Demand	45	Santoprene	Santoprene	\$240.54
2088-514-500	12V Pump Assy, 45 PSI Internal Bypass	12V	12.7	4.0	Bypass	45	Santoprene	Santoprene	\$283.75
2088-813-544	OIL PUMP - 12V Pump Assy, 45 PSI Internal Bypass	12V	14	3.0	Bypass	45	Buna-N	Geolast	\$240.54

**POWER TWIN** • Standard Features: Dual 1/2" MPT Ports, 160°F Max Temperature, Dual Polypropylene Bodies

PART NUMBER	DESCRIPTION	VOLT	AMP	GPM	POWER	PSI	VALVE	DIAPHRAGM	LIST PRICE
4111-035	Dual 1/2" Male NPT Ports w/ 5/8" barb manifold	12V	17.2	6.25	Demand	45	Viton®	Santoprene	\$545.59

**5059 SERIES** • Standard Features: 1/2" MPT Ports, 160°F Max Temperature, Polypropylene Body

PART NUMBER	DESCRIPTION	VOLT	AMP	GPM	POWER	PSI	VALVE	DIAPHRAGM	LIST PRICE
5059-1311-D011	12V Pump Assy, 60 PSI Demand, 1/2" MPT Ports	12V	17.0	5.3	Demand	60	Viton®	Santoprene	\$357.78
5059-3611-D011	12V Pump Assy, 90 PSI Bypass, 1/2" MPT Ports	12V	20.9	5.3	Bypass	90	Viton®	Santoprene	\$357.78
5059-1310-D011	12V Pump Assy, 60 PSI Demand, 1/2" FPT Ports	12V	17.0	5.3	Demand	60	Viton®	Santoprene	\$357.78
5059-3610-D011	12V Pump Assy, 90 PSI Bypass, 1/2" FPT Ports	12V	20.9	5.3	Bypass	90	Viton®	Santoprene	\$357.78

**HOSE BARB SWIVEL FOR 2088 SERIES - STRAIGHT**

PART NO.	DESCRIPTION	LIST PRICE
234-2916	3/8" Hose Barb Swivel - Straight	\$7.01
234-2926	1/2" Hose Barb Swivel - Straight	\$7.01
234-2936	5/8" Hose Barb Swivel - Straight	\$7.01
234-2946	3/4" Hose Barb Swivel - Straight	\$7.01

**HOSE BARB SWIVEL FOR 2088 SERIES - ELBOW**

PART NO.	DESCRIPTION	LIST PRICE
234-3916	3/8" Hose Barb Swivel - Elbow	\$7.01
234-3926	1/2" Hose Barb Swivel - Elbow	\$7.01
234-3936	5/8" Hose Barb Swivel - Elbow	\$7.01
234-3946	3/4" Hose Barb Swivel - Elbow	\$7.01



**HYPRO®**

**AQUA-TIGER 12 VOLT CENTRIFUGAL PUMPS**

MODEL 9700B & 9700S

**FEATURES:**

- 12-volt DC motor drive
- Max. fluid temperature: 140°
- Seal: lip type Viton® (9700B); mechanical (9700S)
- Port Sizes: 3/4" FPT Inlet, 3/4" FPT Outlet
- Housing: bronze (9700B) or stainless steel (9700S)
- Impeller: bronze (9700B) or stainless steel (9700S)

PART NUMBER	DESCRIPTION	VOLT	MAX DRAW	MAX GPM	MAX PSI	SEAL	LIST PRICE
9700B	Non-Self Priming <b>Brass</b> Transfer Pump	12V	11.0 Amps	19	7	Lip-Type (Viton®)	\$456.00
9700S	Non Self Priming <b>Stainless Steel</b> Transfer Pump	12V	11.0 Amps	19	7	Mechanical (Viton®)	\$574.48

**PERFORMANCE CHART - 9700B & 9700S**

2 PSI		3 PSI		4 PSI		5 PSI		6 PSI		7 PSI	
GPM	AMPS	GPM	AMPS	GPM	AMPS	GPM	AMPS	GPM	AMPS	GPM	AMPS
16.9	5.3	14.0	5.0	12.5	4.9	10.0	4.9	6.5	4.1	2.7	3.7

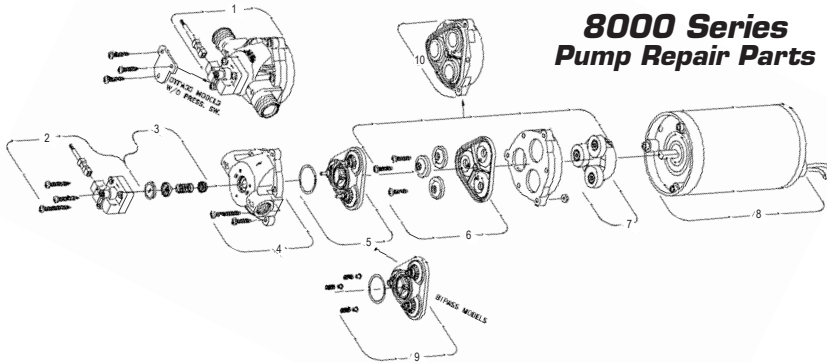
**PARTS BREAKDOWN  
ON PAGE 291**

**CATALOG IS LIST PRICE  
PLEASE APPLY DISCOUNT**

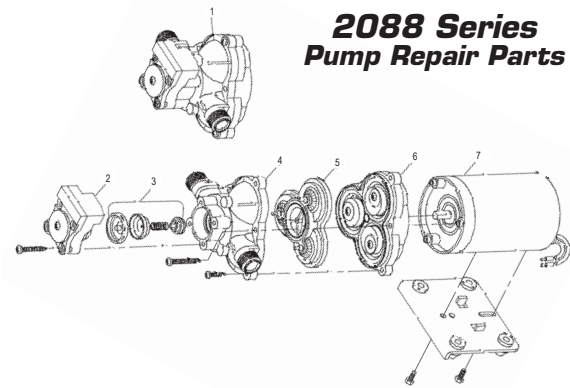


# SHURFLO®

## DIAPHRAGM PUMP REPLACEMENT PARTS



**8000 Series Pump Repair Parts**



**2088 Series Pump Repair Parts**

### 8000 SERIES REPLACEMENT PARTS

MODEL NO.	COMPLETE PUMPHEAD ASSEMBLY (1)	SWITCH ASSEMBLY (2)	CHECK VALVE ASSEMBLY (3)	UPPER HOUSING (4)	BYPASS/NONBYPASS VALVE ASSEMBLY (5)	DIAPHRAGM ASSEMBLY (6)	DRIVE ASSEMBLY (7)
8000-533-250	94-382-09 \$201.55	N/A	N/A	94-379-00 \$29.82	94-391-09 \$72.12	N/A	94-385-32 \$72.28
8000-541-236	N/A	94-375-06 \$37.87	94-374-08 \$13.00	94-379-00 \$29.82	94-390-05 \$80.45	94-395-06 \$29.47	N/A
8000-543-210	N/A	N/A	N/A	94-379-00 \$29.82	94-391-05 \$80.45	N/A	94-385-32 \$72.28
8000-543-236	N/A	94-375-06 \$37.87	94-374-08 \$13.00	94-379-00 \$29.82	94-390-05 \$58.48	N/A	94-385-32 \$72.28
8000-543-238	N/A	94-375-18 \$33.74	94-374-08 \$13.00	94-379-00 \$29.82	94-390-05 \$58.48	N/A	94-385-32 \$72.28
8000-543-250	N/A	N/A	N/A	94-379-00 \$29.82	94-391-09 \$72.12	94-395-06 \$29.47	94-385-03 \$36.49
8000-713-238	N/A	94-375-18 \$33.74	94-374-09 \$16.18	94-379-01 \$26.85	94-390-06 \$28.57	N/A	94-385-32 \$72.28

### 2088 SERIES REPLACEMENT PARTS

MODEL NO.	COMPLETE PUMPHEAD ASSEMBLY (1)	SWITCH ASSEMBLY (2)	CHECK VALVE ASSEMBLY (3)	UPPER HOUSING (4)	BYPASS/NONBYPASS VALVE ASSEMBLY (5)	DRIVE/IMPELLER DIAPHRAGM ASSY (6)
2088-313-145	94-236-15 \$245.01	94-230-55 \$47.63	94-237-05 \$34.74	94-231-30 \$22.53	94-232-05 \$76.63	94-238-03 \$52.63
2088-343-135	94-236-11 \$207.89	94-230-36 \$40.05	94-237-05 \$34.74	94-231-30 \$22.53	94-232-05 \$76.63	94-238-03 \$52.63
2088-394-144	N/A	N/A	94-237-05 \$34.74	94-231-30 \$22.53	94-232-05 \$76.63	94-238-03 \$52.63
2088-443-144	94-236-20 \$150.06	94-230-35 \$20.31	94-237-00 \$17.22	94-231-30 \$22.53	94-232-00 \$25.81	94-238-03 \$52.63
2088-514-500	N/A	N/A	N/A	94-238-00 \$52.67	94-232-00 \$25.81	94-238-03 \$52.63
2088-594-144	N/A	N/A	94-237-00 \$17.22	94-231-30 \$22.53	94-232-00 \$25.81	94-238-03 \$52.63
2088-594-154	94-236-21 \$172.31	94-230-35 \$20.31	94-237-00 \$17.22	94-231-30 \$22.53	94-232-00 \$25.81	94-238-03 \$52.63

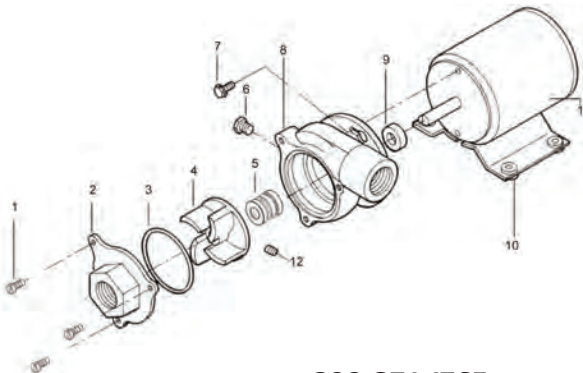
### PERFORMANCE CHART - SHURFLO PUMPS

MODEL	PSI	GPM	AMPS	MODEL	PSI	GPM	AMPS	MODEL	PSI	GPM	AMPS	MODEL	PSI	GPM	AMPS
8000-541-236	20	0.79	2.3	8000-543-210	10	1.28	3.8	2088-313-145	0	5.3	6.5	4111-035	0	6.25	8.7
	30	0.75	2.8		20	1.19	4.4		10	4.7	9.0		10	5.7	12.2
	40	0.70	3.2		30	1.07	5.0		20	4.3	11.8		20	5.0	14.5
	60	0.62	3.8		40	0.05	5.5		30	4.1	12.4		30	4.3	16.1
8000-543-236	30	1.47	5.7	8000-533-250	10	1.36	3.4	2088-443-144	10	2.83	5.8	5059-1310-D011	40	3.8	14.0
	40	1.41	5.8		30	1.05	4.6		20	2.56	7.0		50	3.6	15.4
	50	1.36	6.4		40	0.65	5.1		30	2.31	8.0		60	3.4	17.0
	60	1.45	4.2		50	0.19	5.4		40	2.02	9.1				
8000-543-238	40	1.31	5.5	8000-543-238	40	1.31	5.5	2088-343-135	10	2.80	5.3	5059-3611-D011	0	5.3	6.5
	60	1.22	6.5		60	1.22	6.5		20	2.69	5.5		10	4.7	9.0
	100	0.96	8.7		100	0.96	8.7		30	2.36	6.7		20	4.3	10.2
	20	1.30	4.0		20	1.30	4.0		40	2.05	7.7		30	4.1	12.0
8000-543-250	30	1.11	4.7	8000-543-250	30	1.11	4.7	5059-3610-D011	40	3.4	13.5	5059-3610-D011	50	2.6	15.2
	40	0.69	5.2		40	0.69	5.2		60	1.8	16.9		60	1.8	16.9
	50	0.18	5.5		50	0.18	5.5		70	1.1	18.5		70	1.1	18.5
									80	0.4	20.1		80	0.4	20.1
									90	0.0	20.9	90	0.0	20.9	

**CATALOG IS LIST PRICE PLEASE APPLY DISCOUNT**

# HYPRO®

## 9700B & 9700S REPLACEMENT PARTS



REF NO.	QTY	DESCRIPTION	9700B		9700S	
			PART NO.	LIST PRICE	PART NO.	LIST PRICE
1	3	Cover Screw	2210-0124	\$1.42	2210-0124	\$1.42
2	1	Cover	19893-SHU	\$84.48	23660-SHU	\$132.75
3	1	O-ring, Viton®	19898-SHU	\$22.18	19898-SHU	\$22.18
4	1	Impeller	19892-SHU	\$91.49	23659-SHU	\$67.76
5	1	Mechanical Seal Assembly	N/A	N/A	23665S-SHU	\$132.75
6	1	Pipe Plug	21059-SHU	\$7.96	21059-SHU	\$7.96
7	2	Hex Head Screw	2210-0123	\$1.84	2210-0123	\$1.84
8	1	Housing	19891-SHU	\$222.30	23627-SHU	\$232.83
9	1	Lip Seal, Viton®	19928-SHU	\$21.42	N/A	N/A
10	4	Grommet	21138-SHU	\$1.84	21138-SHU	\$1.84
11	1	Motor, 12VDC	23697S-SHU	\$273.70	23697S-SHU	\$273.70
12	1	Set Screw	19929-SHU	\$2.27	19929-SHU	\$2.27

Grimes, IA **800-351-1587**

Gardner, KS **877-829-8502**

Brimfield, IL **855-778-8500**



**12 VOLT & 110 VOLT DIAPHRAGM PUMPS**

12 VOLT PUMPS



**5500 SERIES**



**FATBOY SERIES**

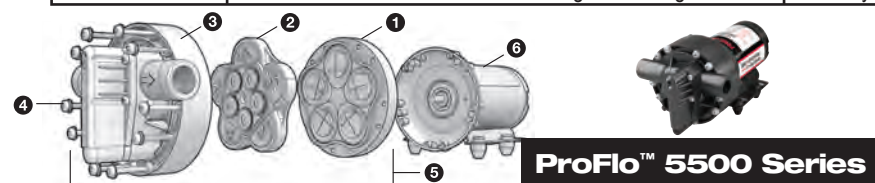
**WIRE LOOM  
WITH TOGGLE  
SWITCH**

**PART NO: SP-8  
LIST PRICE: \$64.63**

PART NUMBER	VOLT	AMP	GPM	PSI	POWER	VALVE	DIAPHRAGM	PORTS	LIST PRICE
2452-111-10B	12V	4.5	1.6	100	Demand/Bypass	Viton®	Santoprene	3/8" Hose Barb	\$83.51
3313-1E1-82B	12V	6	2.2	60	Demand	Viton®	Santoprene	3/4" Quick Attach	\$121.90
5516-1E1-82B	12V	11	4.0	60	Demand	Viton®	Santoprene	3/4" Quick Attach	\$291.02
5516-2E1-63B	12V	11	4.0	60	Bypass	Viton®	Santoprene	3/4" Quick Attach	\$291.02
5517-1E1-82B	12V	16	5.3	60	Demand	Viton®	Santoprene	3/4" Quick Attach	\$303.11
5517-2E1-63B	12V	16	5.3	60	Bypass	Viton®	Santoprene	3/4" Quick Attach	\$319.24
5537-1E1-82B	12V	16	5.3	60	Demand	Viton®	Santoprene	1/2" Female Pipe Thread	\$303.11
5537-2E1-63A	12V	17	5.3	60	Bypass	Viton®	Santoprene	1/2" Female Pipe Thread	\$319.24
5537-2E6-63B	12V	17	5.3	60	Bypass	Buna-N	Santoprene	1/2" Female Pipe Thread	\$319.24
5537-1E1-58C	115V	1.5	5.3	60	Demand	Viton®	Santoprene	1/2" Female Pipe Thread	\$403.13
5538-1E1-94A	12V	24.5	7.0	60	Demand	Viton®	Santoprene	1/2" Female Pipe Thread	\$580.59
5538-2F1-94A	12V	30	7.0	70	Bypass	Viton®	Santoprene	1/2" Female Pipe Thread	\$580.59
5538-2E6-94A	12V	30	7.0	70	Bypass	Buna-N	Santoprene	1/2" Female Pipe Thread	\$580.59
5917-9E1-63B	12V	16	5.3	60	Flo IQ	Viton®	Santoprene	3/4" Quick Attach	\$335.37

**QUICK ATTACH FITTINGS**

PART NUMBER	DESCRIPTION	MATERIAL	LIST PRICE
FQ5S-38	3/4" Quick Attach x 3/8" Hose Barb Straight w/ O-ring	Poly	\$4.78
FQ5S-12	3/4" Quick Attach x 1/2" Hose Barb Straight w/ O-ring	Poly	\$6.54
FQ5S-34	3/4" Quick Attach x 3/4" Hose Barb Straight w/ O-ring	Poly	\$7.42
FQ5E-38	3/4" Quick Attach x 3/8" Hose Barb Elbow w/ O-ring	Poly	\$4.78
FQ5E-12	3/4" Quick Attach x 1/2" Hose Barb Elbow w/ O-ring	Poly	\$4.91
FQ5E-34	3/4" Quick Attach x 3/4" Hose Barb Elbow w/ O-ring	Poly	\$6.98
FQ5S-12B	3/4" Quick Attach x 1/2" Hose Barb Straight w/ O-ring	Black Nylon	\$6.54
FQ5E-12B	3/4" Quick Attach x 1/2" Hose Barb Elbow w/ O-ring	Black Nylon	\$6.98
QTS-556	3/4" Quick Attach x 1/2" Male Pipe Thread Straight w/ O-ring	Black Nylon	\$6.36
FQ5ME-12	3/4" Quick Attach x 1/2" Male Pipe Thread Elbow w/ O-ring	Black Nylon	\$6.98
FQ5TS-12	3/4" Quick Attach x 1/2" OD Tube Straight w/ O-ring	Black Nylon	\$8.29



**ProFlo™ 5500 Series**

REF NO.	PART NO.	DESCRIPTION	LIST PRICE
1	LHA-5513-1E77	Lower Housing Assembly (Demand or Bypass)	\$71.92
2	VHA-5513-1E77	Valve Housing Assembly (Demand or Bypass)	\$64.27
3	UHA-5513-1E77	Upper Housing Assembly (Threaded/Demand)	\$79.06
3	UHA-5513-2E77	Upper Housing Assembly (Threaded/Bypass)	\$79.06
5	5513-1X77	Complete Pump Head Assembly (Demand)	\$151.15
5	5513-2X77	Complete Pump Head Assembly (Bypass)	\$151.15
6	M582-S	12 VDC Motor (w/2 Pin Connector, No On/Off Switch)	\$90.96
N/S	PSW-580R-60	5500 Series Relay Switch	\$49.91

**CATALOG IS LIST PRICE  
PLEASE APPLY DISCOUNT**



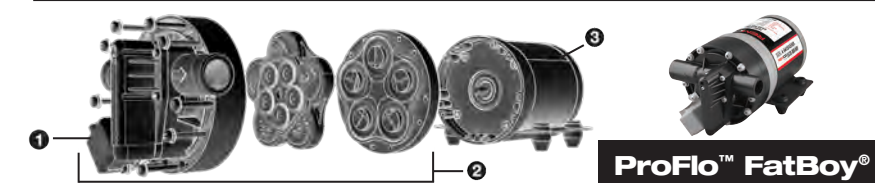
MODEL	PSI	GPM	AMPS
5517 5537	0	5.30	8.00
	10	5.11	9.50
	20	4.75	11.00
	30	4.30	13.00
	40	3.85	15.00
	50	3.40	17.00
	60	3.00	18.00
	70	2.55	19.00
	80	2.25	19.75
	90	2.05	20.75
100	2.00	22.00	

MODEL	PSI	GPM	AMPS
2452	0	1.60	2.00
	10	1.40	2.50
	20	1.35	3.00
	30	1.15	3.25
	40	1.00	3.50
	50	0.95	3.75
	60	0.85	3.75
	70	0.75	4.00
	80	0.60	4.25
	90	0.45	4.50
100	0.40	4.75	

MODEL	PSI	GPM	AMPS
5538	0	7.00	11.00
	10	6.80	12.00
	20	6.45	12.00
	30	5.90	13.00
	40	5.50	15.00
	50	4.95	17.00
	60	4.40	19.00
	70	3.95	21.00
	80	3.50	23.00
	90	3.05	24.00
100	2.55	25.00	

MODEL	PSI	GPM	AMPS
3313	0	2.20	3.50
	10	2.00	4.50
	20	1.95	5.00
	30	1.70	5.50
	40	1.60	6.00
	50	1.55	7.00
	60	1.45	7.50
	70	1.40	8.00
	80	1.35	8.75
	90	1.25	9.50
100	1.00	10.00	

MODEL	PSI	GPM	AMPS
5917 5937	0	5.30	8.00
	10	5.11	9.50
	20	4.75	11.00
	30	4.30	13.00
	40	3.85	15.00
	50	3.40	17.00
	60	3.00	18.00
	70	2.55	19.00
	80	2.25	19.75
	90	2.05	20.75
100	2.00	22.00	



**ProFlo™ FatBoy®**

REF NO.	PART NO.	DESCRIPTION	LIST PRICE
1	FBS-100	Relay Switch (20-267)	\$48.92
2	PH-5538E-D	Complete Pump Head Assembly (Demand)	\$298.40
2	PH-5538E-B	Complete Pump Head Assembly (Bypass)	\$298.40
3	70-594-00	12 VDC Motor (Lead Wire Only)	\$408.07