



DURA PRODUCTS
Technology with Lasting Value

Dura-ABS™ Auto-Batch System

FEATURES & BENEFITS

- Intuitive interface allows for the selection of manual or automatic operation with the flip of a switch
- High-flow pump with up to 15 GPM flow rate
- Optimized for repeatable batching; returns to the last volume amount dispensed
- Includes Dura-Meter™ with impact resistant Lexan™ faceplate
- Available in 12 Volt or 110 Volt, and EPDM or Viton® options
- Features a 2 year warranty

SPECS

- **Pump:** High-Flow Dura-Pump™
- **Meter Accuracy:** +/- 0.5%
- **Calibration:** Preset, Quick List or Manual
- **Flow Rate:** Up to 15 GPM
- **Units Measured:** Gallons/Liters/Ounces

DURA-ABS™ AUTO BATCH SYSTEM

PART NUMBER	VOLT	SEALS	PORT/PLUMBING SIZE	LIST PRICE
DPABS-4312E	12V	EPDM	1" Inlet/Outlet & Plumbing	\$2,239.73
DPABS-4312V	12V	Viton®	1" Inlet/Outlet & Plumbing	\$2,344.24
DPABS-4315E	110V	EPDM	1" Inlet/Outlet & Plumbing	\$2,375.30
DPABS-4315V	110V	Viton®	1" Inlet/Outlet & Plumbing	\$2,454.39

BULK CHEMICAL PUMPS



Tank / Tote sold separately
Auto-Batch Meter is not sold separately at this time

Dura-Pump™

FEATURES & BENEFITS

- High-Flow with up to 15GPM free flow rate
- Self-priming diaphragm pump with internal by-pass
- Motor thermally protected from overheating
- 30 minute duty cycle
- Suction port has 2" Male NPT and 1" Female NPT
- Pump is easily field serviceable

SPECS

- **Vertical Suction Lift:** Self-priming to 10ft
- **Cord Length:** 12 Volt = 20ft; 110 Volt = 6.5ft
- **Motor:** 1/4 HP
- **Amps:** 12 Volt = 20; 110 Volt = 3.0
- **Suction Port:** 2" Male & 1" Female NPT Thread
- **Discharge Port:** 1" Female NPT Thread

DURA-PUMP™

PART NUMBER	VOLT	SEALS	LIST PRICE
DP-4012E	12V	EPDM	\$920.75
DP-4012V	12V	Viton®	\$977.24
DP-4015E	110V	EPDM	\$1,033.72
DP-4015V	110V	Viton®	\$1,084.56

DP-H4001A-E/V



DP-P4017A-E/V



DURA-PUMP™ REPLACEMENT PARTS

PART NUMBER	DESCRIPTION	LIST PRICE
DP-H4001A-E	Dura-Pump™ Bottom Housing Kit - EPDM	\$141.51
DP-H4001A-V	Dura-Pump™ Bottom Housing Kit - Viton®	\$161.25
DP-P4017A-E	Dura-Pump™ Cartridge Kit - EPDM	\$240.23
DP-P4017A-V	Dura-Pump™ Cartridge Kit - Viton®	\$259.98
DP-G4001A-E	Dura-Pump™ Gasket Kit - EPDM	\$62.53
DP-G4001A-V	Dura-Pump™ Gasket Kit - Viton®	\$82.27

Dura-Meter™

FEATURES & BENEFITS

- Made of impact resistant Lexan™ faceplate
- 100% moisture-sealed circuitry makes meter impervious to water intrusion
- Plumbed both for in-line and 90° applications
- Extended battery life with use of 4 AAA batteries
- Faceplate overmolded with santoprene and filled with gel for improved shock resistance

SPECS

- **Operating Temp:** -10° F to 130° F
- **Flow Rate:** 2 to 22 GPM
- **Meter Accuracy:** +/- .5%
- **Maximum Pressure:** 40 PSI
- **Inlet/Outlet Ports:** 1" Female NPT



DURA-METER™

PART NUMBER	SEALS	LIST PRICE
DP-3000E	EPDM	\$525.33
DP-3000V	Viton®	\$536.63



DURA-METER™ REPLACEMENT PARTS

PART NUMBER	DESCRIPTION	LIST PRICE
DP-MFP01	Ag Chemical Meter Faceplate	\$403.89
DP-PMB3000E	Dura-Meter™ - EPDM	\$184.29
DP-PMB3000V	Dura-Meter™ Body - Viton®	\$200.74

**CATALOG IS LIST PRICE
PLEASE APPLY DISCOUNT**

SHURFLO®

MINI-BULK PUMPS



SHURFLO® Mini-Bulk Pumps The SF-1100 Series Bulk Chemical Pumps are the industry leader. They are designed for efficiency and power to handle highly viscous fluids. Servicing the SF-1100 series pump is a rare event, but if needed, it can be serviced quickly and easily with only a few hand tools.

- Specialized EPDM elastics or Viton option
- Internal bypass to protect the pump at shut-off
- 2" MNPT inlet, 1" FNPT outlet
- 20 foot cord with alligator clips and in-line fuse (DC only)
- 12 volt DC or 110 volt AC motor option
- Weather protected on/off switch
- Capable of priming up to 12 feet

MINI-BULK PUMPS

PART NUMBER	VOLT	VALVES	PORT/PLUMBING SIZE	LIST PRICE
SF-1100	12V	EPDM	2" MNPT Inlet; 1" FNPT Outlet	\$630.66
SF-1100-110V	110V	EPDM	2" MNPT Inlet; 1" FNPT Outlet	\$571.11
SF-1105	12V	Viton®	2" MNPT Inlet; 1" FNPT Outlet	\$646.15

PERFORMANCE CHART

MODEL	PSI	GPM	AMPS
SP-1100 & SP-1105	0	10.7	9.3
	5	10.1	10.3
	10	8.7	12.3
	15	7.6	13.9



SHURFLO® AG Runner™ The SHURFLO AG Runner™ Transfer Pump System is designed to safely and accurately transfer bulk chemicals to the point of use.

- Industry leading pump
- Can be used with a variety of bulk containers
- Built for rugged service with a heavy-duty welded frame
- Portable
- Simple and accurate flow indicator

SHURFLO® AG RUNNER

PART NUMBER	VALVES	FLOW METER TYPE	DESCRIPTION	LIST PRICE
SF-1100-PTS	EPDM	Pump Mounted (FM-1100)	Chemical Transfer Pump with 12 VDC motor, 20 ft cable, alligator clips and in-line fuse, SF-1100 or SF1105 electronic flow meter, 1 in. NPT x 12 ft. EPDM inlet hose with 1 in. elbow/ball valve/fitting assembly with locking cam arms.	\$1,319.31
SF-1100-PTSI	EPDM	Inline (FM-1100i)		\$1,319.31
SF-1100-PTSI-00	EPDM	No Flow Meter		\$1,213.88
SF-1105-PTS	Viton®	Pump Mounted (FM-1100)		\$1,363.59
SF-1105-PTSI	Viton®	Inline (FM-1100i)		\$1,764.14

SHURFLO® Mini-Bulk Flow Meters™ The FM-1100 Series Electronic Flow Meter is designed for accurate and easy measuring of transferred chemicals.

- Max flow of 20 GPM (.5% accuracy after calibration)
- Accurate nutating disk design
- Long-life lithium battery
- Easy-to-service electronics and batteries
- Max Viscosity: 600-880 Centipoise
- Max Pressure of 120 PSI
- Large LCD display makes meter reading easy from a distance
- Simple calibration steps and control button layout
- Available in pump-mounted and hose-end configuration



SHURFLO® MINI-BULK FLOW METERS

PART NUMBER	MAX GPM	MAX PSI	DESCRIPTION	LIST PRICE
FM-1100	20	120	Pump-mounted meter kit - 1" MNPT inlet & outlet	\$402.90
FM-1100I	20	120	Inline meter kit - 1" FNPT inlet & outlet	\$402.90



MINI-BULK PUMP KITS FOR SF-1100 SERIES

PART NUMBER	DESCRIPTION	LIST PRICE
94-718-00	Motor assembly kit used in any SF-1100 series pumps. Kit includes a 12 VDC motor with integrated pump lower housing, built in on/off switch, 20 foot cable, alligator clips and in-line fuse	\$416.54
94-719-00	Santoprene® diaphragm/lower housing/drive assembly - ready for installation	\$123.78
94-720-00	EPDM valve housing kits include a complete fully-assembled valve housing with o-ring seal* - ready for installation	\$112.10
94-720-05	Viton® valve housing kits include a complete fully-assembled valve housing with o-ring seal* - ready for installation	\$144.52
94-721-00	Polypropylene upper housing - includes o-ring seal* and pump head screws	\$107.68

*Manufacturer recommends replacing the o-ring seal whenever the pump has been dismantled.

MINI-BULK FLOW METER KITS FOR FM-1100 SERIES

PART NUMBER	DESCRIPTION	LIST PRICE
94-732-00	Flow meter electronics kit includes the front cover assembly and the electronic display with o-ring and batteries (fit both meters)	\$285.87
94-733-00	Flow meter housing seal cover kit includes the seal cover, o-ring and screws (fit both meters)	\$44.77
94-734-00	Nutating chamber assembly, including o-ring seal (fit both meters)	\$82.37
94-735-00	90° meter housing with o-ring seal for pump-mounted flow meter	\$91.75
94-736-00	Meter housing with o-ring seal for in-line flow meter	\$87.45



CHEMICAL PUMPS AND METERS



SS415X731PG • TOTE PUMP & GO KIT

12VDC Electric Diaphragm Pump with reciprocating, spring driven configuration that maintains constant pressure regardless of load. Pump automatically goes neutral when the end of hose valve is shut off. Glass-reinforced polypropylene pump housing provides integrity and excellent material compatibility inside and out.

Santoprene Diaphragms, EPDM Elastomers and 2 bung adapter. Includes Telescoping Polypropylene Suction Tube, 1x12' Hose, Ball Valve, couplers, connections, and motor bracket. Everything you need to empty a tote or drum.

SS415X731PG

PART NUMBER	DESCRIPTION	LIST PRICE
SS415X731PG	Tote Pump & Go 12 Volt Kit	\$1,540.13
SS415BX731	Tote Pump ONLY	\$1,222.45

FEATURES & BENEFITS

- 12 Volt DC Motor
- EPDM Seals
- Thermal overload protection
- 15psi
- 10ft Suction Lift
- Suction/Discharge EPDM hoses
- Telescoping Suction Tube
- Motor Bracket
- Santoprene Diaphragms
- Glass-fille Polypropylene Housing
- 13gpm
- 130°F max temperature
- Up to 0.1 diameter solids
- Shutoff Valve
- Connection Fittings



SS420B & 421

12VDC Electric Diaphragm Pump with reciprocating, spring driven configuration that maintains constant pressure regardless of load. Pump automatically goes neutral when the end of hose valve is shut off. Glass-reinforced polypropylene pump housing provides integrity and excellent material compatibility inside and out.

Santoprene Diaphragms, EPDM Elastomers and 2 NPT connection. Includes Telescoping Polypropylene Suction Tube, 1x12' Hose, Shutoff Ball Valve and Nozzle retainer.

Model 421 includes 825 digital meter.



SS420 & 421

PART NUMBER	DESCRIPTION	LIST PRICE
SS420B	Model 420 Chemical Pump	\$1,570.29
421	Model 421 Chemical Pump w/ Meter	\$2,020.67

FEATURES & BENEFITS

- 12 Volt DC Motor
- EPDM Seals
- Thermal overload protection
- 15psi
- 10ft Suction Lift
- Telescoping Polypropylene Suction Tube
- Shutoff Ball Valve
- Santoprene Diaphragms
- Glass-fille Polypropylene Housing
- 13gpm
- 130°F max temperature
- Up to 0.1 diameter solids
- 1 x 12' EPDM Hose
- Nozzle Retainer



SS417

12VDC Electric Diaphragm Pump with reciprocating, spring driven configuration that maintains constant pressure regardless of load. Pump automatically goes neutral when the end of hose valve is shut off. Glass-reinforced polypropylene pump housing provides integrity and excellent material compatibility inside and out.

Santoprene Diaphragms, EPDM Elastomers and 2 bung adapter integral to the inlet. Includes Telescoping Polypropylene Suction Tube, 1x12' Hose, and Ball Valve. Top mounted on barrels or totes.

SS417B

PART NUMBER	DESCRIPTION	LIST PRICE
SS417B	Model 417 Chemical Pump	\$1,425.52

FEATURES & BENEFITS

- 12 Volt DC Motor
- EPDM Seals
- Thermal Overload Protection
- 15psi
- 10ft Suction Lift
- 2NPT Bung Integral to Inlet
- Ball Valve
- Santoprene Diaphragms
- Glass-fille Polypropylene Housing
- 13gpm
- 130°F max temperature
- Up to 0.1 Diameter Solids
- Telescoping Polypropylene Suction Tube
- Discharge EPDM Hose



SS445B

12VDC Electric Diaphragm Pump with Recirculation System built in. Gently and continuously mix chemicals in mini-bulk containers. Pump has unique reciprocating, spring driven configuration that maintains constant pressure regardless of load. Pump automatically goes neutral when the end of hose valve is shut off. Glass-reinforced polypropylene pump housing provides integrity and excellent material compatibility inside and out.

Santoprene diaphragms, EPDM elastomers and 9 GemCap. Includes telescoping polypropylene suction tube, 825 digital meter, 1x12' EPDM hose, and shutoff ball valve. SS445X700 is for Lumax & Callisto.

SS445

PART NUMBER	DESCRIPTION	LIST PRICE
SS445B	Recirculating Chemical Pump	\$2,064.90
SS445BX700	Recirculating Chemical Pump	\$2,064.90

FEATURES & BENEFITS

- 12 Volt DC motor
- 9 GemCap
- 13gpm
- Santoprene diaphragms
- 1x12' EPDM hose
- Glass-fille polypropylene housing
- 130°F max temperature
- Up to 0.1 diameter solids
- Recirculation valve
- 825 digital meter
- 15psi
- EPDM seals
- Shutoff ball valve
- Thermal overload protection
- 10ft suction lift



CHEMICAL PUMPS AND METERS



SS435B

12VDC Electric Diaphragm Pump with reciprocating, spring driven configuration that maintains constant pressure regardless of load. Pump automatically goes neutral when the end of hose valve is shut off. Glass-reinforced polypropylene pump housing provides integrity and excellent material compatibility inside and out.

Portable Tubular Frame with Top and Bottom Tote Adapter Kits, Santoprene Diaphragms, and EPDM Elastomers. Includes 825 Digital Meter, 1x12' Hose, 1x9' EPDM Hose, and Shutoff Ball Valve.

FEATURES & BENEFITS

- 12 Volt DC Motor
- Top and Bottom of Tote Adapter Kits
- 15psi
- EPDM Seals
- 1x12' EPDM Hose
- Shutoff Ball Valve
- Thermal Overload Protection
- 10ft Suction Lift
- Tubular Frame Assembly
- 13gpm
- Santoprene Diaphragms
- 1x9' EPDM Hose
- 825 Digital Meter
- Glass-fille Polypropylene Housing
- 130 Degree F Max Temperature
- Up to 0.1 Diameter Solids

SS435B

PART NUMBER	DESCRIPTION	LIST PRICE
SS435B	12V Chemtraveller Chemical Pump	\$2,535.38



SS465BX713

115V AC Electric Diaphragm Pump with reciprocating, spring driven configuration that maintains constant pressure regardless of load. Pump automatically goes neutral when the end of hose valve is shut off. Glass-reinforced polypropylene pump housing provides integrity and excellent material compatibility inside and out.

Large, portable tubular frame with top and bottom tote adapter kits, santoprene diaphragms, and EPDM elastomers. Includes telescoping, polypropylene suction tube, 1x12' EPDM hose, 1x9' EPDM hose, and shutoff ball valve.

FEATURES & BENEFITS

- 115 Volt AC motor
- Top and bottom of tote adapter kits
- 15psi
- EPDM seals
- 1x12' EPDM hose
- Glass-fille polypropylene housing
- 130°F max temperature
- Up to 0.1 diameter solids
- Tubular frame assembly
- 13gpm
- Santoprene diaphragms
- 1x9' EPDM hose
- Shutoff ball valve
- Thermal overload protection
- 10ft suction lift

SS465BX713

PART NUMBER	DESCRIPTION	LIST PRICE
SS465BX713	115V Chemtraveller Chemical Pump	\$2,342.36

825 & 825P



Sotera Positive Displacement - Nutating Disc meter is ideal for end of hose use, in line or mounted to one of our Rotary Vane or 400B Series Diaphragm Pumps. It is able to store and display the current flo amount (total) or the cumulative flo amount (totalizer) in any of six user-specifie units.

The rugged corrosion-resistant body for the most demanding applications is easy to install with consistent accuracy up to +/- 0.2%. Battery powered, LCD display. The P designation in the model number tells you this meter has pulse output, making it an excellent choice for batching use with FMS and PLC systems, and remote monitoring.

PART NUMBER	DESCRIPTION	LIST PRICE
825	Model 825 Flow Meter	\$457.03
825P	Model 825P Flow Meter	\$832.45

FEATURES & BENEFITS

- 2-20 GPM
- +/-0.2% accuracy
- 360° positioning display
- Waterproof, corrosion-resistant
- 1 FNPT ports
- LCD Display
- Compatible with pesticides, fertilizers, water, crop oil, gear oil, motor oil, diesel fuel, mineral spirits, ethylene glycol, mild acids, soaps, detergents, diesel exhaust fluid and more
- Pressure to 125 psi max
- -10°F-130°F temperature range
- Quick, one step calibration
- Glass-fille Polypropylene housing
- Fluorocarbon seals
- Two alkaline(AA) batteries included



850 & 850P



Sotera Positive Displacement - Nutating Disc meter is ideal for end of hose use, in line or mounted to one of our Rotary Vane or 400B Series Diaphragm Pumps. It is able to store and display the current flo amount (total) or the cumulative flo amount (totalizer) in any of six user-specifie units. The 850 has a mass

air sensor that distinguishes between fluid and air. That means the 850 stops metering when you've finished emptying a container, adding an extra degree of accuracy.

The rugged corrosion-resistant body for the most demanding applications is easy to install with consistent accuracy up to +/- 0.2%. Battery powered, LCD display.

The P designation in the model number tells you this meter has pulse output, making it an excellent choice for batching use with FMS and PLC systems, and remote monitoring.

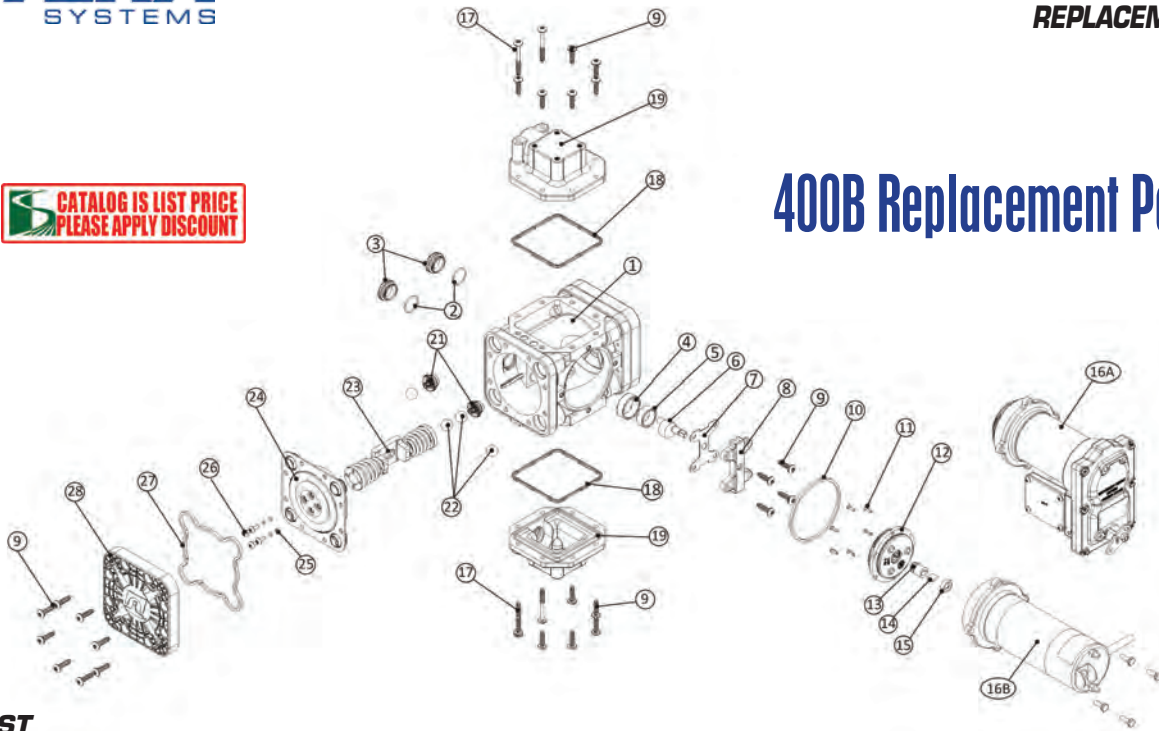
PART NUMBER	DESCRIPTION	LIST PRICE
850	Model 850 Flow Meter	\$587.61
850P	Model 850P Flow Meter	\$989.56

FEATURES & BENEFITS

- 2-20 GPM
- +/-0.2% accuracy
- 1 FNPT ports
- 360° positioning display
- Quick, one step calibration
- Waterproof, corrosion-resistant
- Glass-fille Polypropylene housing
- Compatible with pesticides, fertilizers, water, crop oil, gear oil, motor oil, diesel fuel, mineral spirits, ethylene glycol, mild acids, soaps, detergents, diesel exhaust fluid and more
- Pressure to 120 psi max
- Mass air sensor
- -10°F-130°F Temperature range
- Two alkaline AA batteries included
- LCD display
- Fluorocarbon seals

**CATALOG IS LIST PRICE
PLEASE APPLY DISCOUNT**

400B Replacement Parts



PARTS LIST

REF NO.	QTY	DESCRIPTION
1	1	Pump Body
2	2	O-ring Nitrile, -022
3	2	Sight Cap
4	1	Bearing Ring
5	1	Bushing, 1.25 OD x 1.00 ID
6	1	Drive Shaft
7	1	Thrust Plate
8	1	Bearing Plate
9	32	Screw, 1/4 - 10 x 1.00 PTS-SS
10	1	O-ring, Lathe Cut Nitrile
11	6	Screw, 6-32 Flat Head Trilobular
12	1	Gear Pack Assembly
13	1	Drive Gear
14	1	Key, Rotor

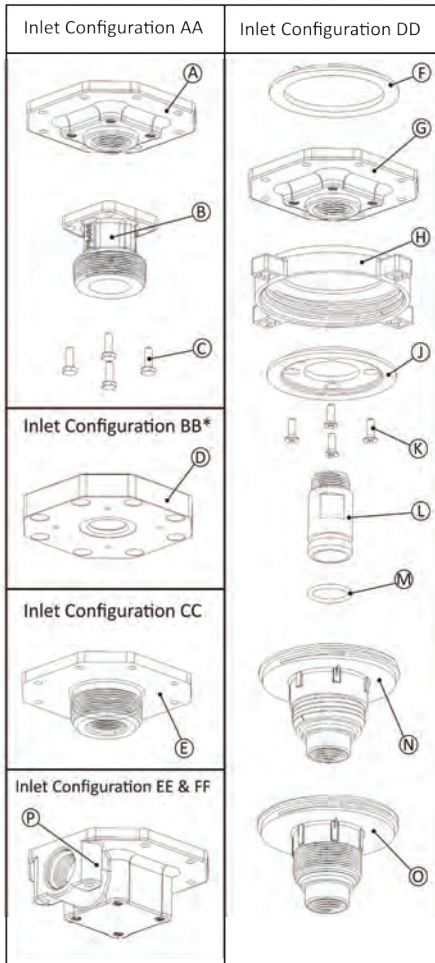
REF NO.	QTY	UL LISTED / CE CERTIFIED MOTORS
16A	1	12V DC CE Compliant Explosion Proof
16A	1	12V DC UL Listed Explosion Proof
16A	1	24V DC UL Listed Explosion Proof
16A	1	115V AC UL Listed Explosion Proof

REF NO.	QTY	DESCRIPTION
15	1	Shaft Lip Seal, 400 Motor Shaft
16A/16B	1	Motor Assembly (See charts below for motor specifics)
17	4	Screw, 1/4 - 10 x 2.25 PTS-SS
18	2	Flange Gasket - EPDM
19	2	90 Degree Flange with Inserts
20	4	Screw, 1/4 - 20 x .750 LG
21	4	Outlet Check Valve
22	8	Ball
23	1	Yoke Assembly
24	2	Diaphragm Assembly
25	8	O-ring, EPDM, -007
26	8	PHM Screw, 10 - 24 x .5 LG
27	2	Diaphragm Cover Gasket - EPDM
28	2	Diaphragm Covers

REF NO.	QTY	STANDARD DUTY MOTORS
16B	1	12V DC Standard Duty Motor
16B	1	115V AC Standard Duty Motor

KITS - PLEASE REFERENCE THE ABOVE PARTS LIST FOR KIT CONTENTS

PART NUMBER	DESCRIPTION	KIT CONTAINS / QTY	LIST PRICE
400KTF6862	400 (Pre B Series) Hytrel Rebuild	Similar to 400KTH1456 but for A Series Pumps	\$485.10
400KTF6863	400 (Pre B Series) Santoprene® Rebuild	Similar to 400KTH1457 but for A Series Pumps	\$485.10
400KTG9137	400 (Pre B Series) Santoprene® Diaphragms	Similar to (2) 400KTH1178 but for A Series Pumps	\$150.96
400KTG9168	Retrofi for Pump and Meter	400KTG9137, 445KTG9128, 825KTG9123	\$253.62
400KTH1178	400B Santoprene® Diaphragm	24, 18, 27, 28, (2)21, (4)25, (4)26, (4)22	\$217.39
400KTH1179	400B Hytrel Diaphragm	24, 18, 27, 28, (2)21, (4)25, (4)26, (4)22	\$217.39
400KTH1456	400B Hytrel Rebuild	(2)400KTH1179, 10, (6)11, 12, 13, 14	\$485.10
400KTH1457	400B Santoprene® Rebuild	(2)400KTH1178, 10, (6)11, 12, 13, 15	\$485.10
400F6557	Gear Pack	12	N/A
400F6781	Yoke Assembly	23	N/A
400H1401	Site Cap Assembly	3, 2	\$14.09
400EXPF6846	Motor Assy, 12V DC UL Listed Exp. Proof	16A, 15, 14, 13, 12, (6)11	\$885.65
400EXPF7351	Motor Assy, 115V AC UL Listed Exp. Proof	16A, 15, 14, 13, 12, (6)11	\$885.65
400G9734	Motor Assy, 12V DC	16B, 15, 14, 13, 12, (6)11	N/A
400G9735	Motor Assy, 115V AC	16B, 15, 14, 13, 12, (6)11	N/A
KITS400MS24VUL	Motor Assy, 24V DC UL Listed Exp. Proof	16A, 15, 14, 13, 12, (6)11	N/A
KITS400MS12VCE	Motor Assy, 12V DC CE Compliant Exp. Proof	16A, 15, 14, 13, 12, (6)11	N/A



INLET CONFIGURATION AA					
ITEM	PART NO.	DESCRIPTION	INLET THREAD	MOUNTING THREAD	LIST PRICE
A	400F6569	Flange Straight Plastic w/ Inserts	1" NPT	1" NPT	N/A
B	400G9140	Bung Adapter 400 Machined Painted Bk	N/A	N/A	N/A
C	400F6792	Screw 0.250 20 0.750 HHCS SS	N/A	N/A	N/A
INLET CONFIGURATION BB					
ITEM	PART NO.	DESCRIPTION	INLET THREAD	MOUNTING THREAD	LIST PRICE
D	400G9493	Flange Metal SAE Threads - Anodized	1 5/16"-12SAE	N/A	N/A
INLET CONFIGURATION CC					
ITEM	PART NO.	DESCRIPTION	INLET THREAD	MOUNTING THREAD	LIST PRICE
E	400G8071	Flange 2" NPT Pump	1" NPT	2" NPT	N/A
INLET CONFIGURATION DD					
ITEM	PART NO.	DESCRIPTION	INLET THREAD	MOUNTING THREAD	LIST PRICE
F	N/A	Cap Adaptor	N/A	N/A	N/A
G	N/A	Flange Straight Plastic with Inserts	1" NPT	N/A	N/A
H	N/A	Collar Threaded	N/A	N/A	N/A
J	N/A	Flange Pump	N/A	N/A	N/A
K	N/A	Screw 0.250 20 0.750 FHMS SS	N/A	N/A	N/A
L	N/A	Pump Probe	N/A	N/A	N/A
M	N/A	O-ring 218 Viton 75	N/A	N/A	N/A
N	N/A	Adapter 2" Buttress	1" NPT	2" Buttress	N/A
O	N/A	Adapter 2" NPT Tanks	1" NPT	2" NPT	N/A
INLET CONFIGURATION EE					
ITEM	PART NO.	DESCRIPTION	INLET THREAD	MOUNTING THREAD	LIST PRICE
P	400F6679	90° Inlet, NPT Threads	1" NPT	N/A	N/A

INLET KITS			
KIT NO.	DESCRIPTION	INCLUDES	LIST PRICE
400KTG8106	Quick Attach Kit, 2" NPT, and Buttress	F-O & R	\$189.21
400KTG8583	Quick Attach Cap	F & H	\$122.78
400KTG9028	Quick Attach 2" NPT Adapter	O, F, H, R	\$215.37
400KTG9029	Quick Attach 2" Buttress Adapter	N, F, H, R	\$199.27

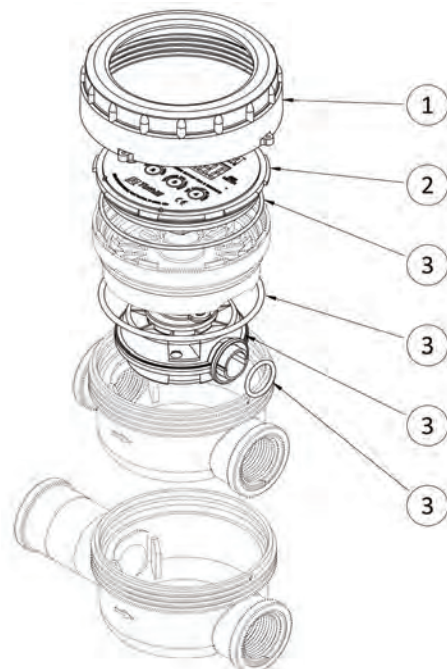
SUCTION TUBE OPTIONS			
ITEM	PART NO.	DESCRIPTION	LIST PRICE
Q	1200KTG9099	Steel Extendable Suction Tube	\$60.39
R	400F1855	Poly Extendable Suction Tube (Standard)	\$58.51
S	445F1863	Poly Extendable Suction Tube with Bellows End	N/A

**CATALOG IS LIST PRICE
PLEASE APPLY DISCOUNT**



825 & 850 Replacement Parts

ITEM NO.	PART NUMBER	DESCRIPTION	LIST PRICE
1	KITPOLYRING	Replacement Ring Kit	\$34.22
2	825G8859	Replacement Electronics Kit	N/A
3	825KTF1582	Meter Chamber Kit and Seals	\$169.08





BANJO MFM FLOW METERS

- Displays overall total volume & batch total
- Flow rate allow for Gallons or Liters Per Minute
- Magnetic style meter w/ stainless steel electrodes
- Self calibrating meter
- Measures water and most conductive liquids
- Powered by (6) AA batteries
- No moving parts to fail during use
- Glass-reinforced polypropylene
- Temperature range from 0°F to 150°F
- Accuracy is 99% from 2 to 110GPM for 1"
- Accuracy is 99% from 6 to 300GPM for 2"
- Accuracy is 99% from 14 to 670GPM for 3"

*It is recommended to have at least 24 inches of straight line before and after the flow meter
Will not read petroleum based liquids

PART NO.	INLET/OUTLET	MAX GPM	LIST PRICE
MFM100	100 Series Flange	110 GPM	\$1,275.10
MFM220	220 Series Full Port Flange	300 GPM	\$1,448.82
MFM300	300 Series Flange	670 GPM	\$1,818.33



RAVEN FLOW MAX 221 FLOW METER

- Flanged 2" Plumbing
- Weather-resistant enclosure
- Simple programming and operation
- Uses 2 generic AA lithium batteries
- Records three separate total volumes
- Displays rate of flow in US or metric
- Mounts "in-line" to monitor flow rate with maximum precision
- Self-contained digital display shows flow rate and totals
- 200 GPM maximum
- Self-contained - no other consoles, cables or flow meters required

PART NO.	INLET/OUTLET	MAX GPM	LIST PRICE
063-0173-653	220 Series Full Port Flange	200 GPM	\$1,514.94



SOTERA 825 & 850 FLOW METERS



More Information on Page 315

PART NO.	INLET/OUTLET	MAX GPM	LIST PRICE
825	1" Female National Pipe Thread	20 GPM	\$457.03
825P	1" Female National Pipe Thread	20 GPM	\$832.45
850	1" Female National Pipe Thread	20 GPM	\$587.61
850P	1" Female National Pipe Thread	20 GPM	\$989.56



Technology with Lasting Value



Dura-Meter™

More Information on Page 312

PART NO.	INLET/OUTLET	MAX GPM	LIST PRICE
DP-3000E	1" Female National Pipe Thread	22 GPM	\$525.33
DP-3000V	1" Female National Pipe Thread	22 GPM	\$536.63



SOTERA TT10PN FLOW METERS

Accurate within 1%, the Tuthill TT10PN In-line Digital Turbine Meter sets the standard for accuracy, ease of use and safety. It has factory presets for 18 fluid and more safety approvals than any other meter in its class. Replaceable AA batteries keep your meter running and downtime to a minimum. A rubber boot helps protect the meter and electronics from impact damage.

- 2-35 GPM
- Operating pressure: 50 psi
- Dimension: 4w x 2.6d x 2.9h
- Measures ounces, pints, quarts, liters, or gallons
- Compatible with DEF, anti-freeze, de-icing fluid, non-potable water, and other chemicals
- Measures ounces, pints, quarts, liters, or gallons
- Engineered polymer
- +/-1.00% meter accuracy
- 2 AA battery power source
- 1 NPT
- 0°F-130°F
- Weight: 9.6 oz.

PART NO.	INLET/OUTLET	MAX GPM	LIST PRICE
TT10PN	1" Female National Pipe Thread	35 GPM	\$421.59

CATALOG IS LIST PRICE PLEASE APPLY DISCOUNT