

ChemBatch

The Easy-to-Operate Venturi Type Chem Mixers



Parts Breakdown on Page 339

- Available in 15, 30, 60 & 85 gallon chem-mixer tanks.
- Available with 2" or 3" plumbing.
- Available packaged with or without Transfer Pump.
- Complete and convenient kit mounted on a skid.
- Venturi allows use without chemicals going through pump.
- Cone bottom tanks for use with AMS.
- Jug "Stabber" Rinse Valve standard with all kits.
- Self Cleaning Tank.
- Skid Dimensions: L-47-1/2" W-22" H-4-1/2"

ChemBatch Kits Less Pump

Part#	Description	Price
CBK15	15 Gallon ChemBatch Kit - 2" Plumbing	\$2,133.27
CBK30	30 Gallon ChemBatch Kit - 2" Plumbing	\$2,182.32
CBK60	60 Gallon ChemBatch Kit - 2" Plumbing	\$2,347.15
CBK85	85 Gallon ChemBatch Kit - 2" Plumbing	\$2,441.55
CBK30-3	30 Gallon ChemBatch Kit - 3" Plumbing	\$3,618.29
CBK60-3	60 Gallon ChemBatch Kit - 3" Plumbing	\$3,783.11
CBK85-3	85 Gallon ChemBatch Kit - 3" Plumbing	\$3,877.52

Tank Knife Upgrade

Tank Knife Upgrade Includes PolyWest Tank Knife (See Page 338) and plumbing installed. Upgrade of the 30 Gallon CBK includes installation of 16" Lid.

CBK-CB	Tank Knife Upgrade for 30 Gallon CBK	\$1,127.84
CBK-CB60	Tank Knife Upgrade for 60 Gallon CBK	\$1,007.16

Transfer Pumps

Part#	Description	Price
2" TRANSFER PUMPS		
1542P-65SP	Hypro-2" Poly Pump, 6.5HP PowerPro Engine	\$607.64
PAC5HP2H-GX	Pacer-2" Poly Pump, 5.5HP Honda GX160-2 Engine	\$1,139.11
PSP-3240-G5H	CDS-John Blue 2" Poly Pump, Honda GX160 Engine	\$1,579.46
SP-3240-G5H	CDS-John Blue 2" Cast Iron Pump, Honda GX160 Engine	\$2,119.79
3" TRANSFER PUMPS		
1543P-130ESP	Hypro-3" Poly Pump, 13HP Elec. Start PowerPro Engine	\$1,945.77
1533C-13ESP	Hypro-3" CI Pump, 13HP Elec. Start PowerPro Engine	\$2,438.30
SP3350-G13H	CDS-John Blue 3" Cast Iron Pump, 13HP Honda Elect St	\$4,057.06



Parts Breakdown on Page 339

Chem Mixer Kits w/ Stands

Kits Include Tank, Stand, 2" Valve, 2" Tee & 1 1/2" or 2" Barbs

CATALOG IS LIST PRICE PLEASE APPLY DISCOUNT

Part#	Description	Price
CM15112	15 Gallon Cone Bottom Tank/Stand w/ 1 1/2" Plumbing	\$409.71
CM15200	15 Gallon Cone Bottom Tank/Stand w/ 2" Plumbing	\$412.71
CM30112	30 Gallon Cone Bottom Tank/Stand w/ 1 1/2" Plumbing	\$458.86
CM30200	30 Gallon Cone Bottom Tank/Stand w/ 2" Plumbing	\$470.44
CM60112	60 Gallon Cone Bottom Tank/Stand w/ 1 1/2" Plumbing	\$683.44
CM60200	60 Gallon Cone Bottom Tank/Stand w/ 2" Plumbing	\$700.70

To Add Rinse Gun & Return Line to Chem Mixer Kit, Add -RS to the end of the part number. (ex. CM15112-RS) Add \$93.99 to List Price



POLYWEST
liquid handling products

THE HANDLER

The Handler is designed for batch mixing just about every chemical on the market. The Handler is available in 15, 42 & 70 gallon capacity. The 42 & 70 gallon are available with either 2" or 3" flanged plumbing as well as an optional pump mount kit. All models are standard with a stainless steel jug splitting knife, assembled and ready to use.

PART NO.	DESCRIPTION	PRICE
HANDLERI	15 Gallon Chemical Handling System-2" Flanged Plumbing (85-H12)	\$2,853.66
HANDLERII-2	42 Gallon Chemical Handling System-2" Flanged Plumbing (85-H22)	\$3,963.57
HANDLERII-3	42 Gallon Chemical Handling System-3" Flanged Plumbing (85-H23)	\$5,220.72
HANDLERIII-2	70 Gallon Chemical Handling System-2" Flanged Plumbing (85-H32)	\$4,443.31
HANDLERIII-3	70 Gallon Chemical Handling System-3" Flanged Plumbing (85-H33)	\$5,665.63
HANDLERIII-HD	70 Gallon Chemical Handling System-3" HD Flanged Plumbing (85-H33HD)	\$6,474.71
<i>*NEW HD Plumbing removes the molded 3" manifold and uses hose for the bypass and includes a spike valve</i>		
PUMP MOUNT BRACKET/FRAME		
86-H2PFB	Handler II Pump Mount Bracket/Frame	\$302.15
86-H3PFB	Handler III Pump Mount Bracket/Frame	\$361.52
REPLACEMENT ROTARY RINSE NOZZLE		
PWTR2	RotaCraft TR2 Tank Rinse Nozzle	\$154.37



ROTACRAFT

BANJ VENTURI KITS

Liquid Handling Products

Installs on discharge side of pump which keeps pump & water tank free of chemical contamination. Available in 2" and 3" plumbing (Venturi is necked to 2" Full Port Flow on both 2" & 3" Kits). Flanged Manifold plumbing components. Kits come unassembled.

VENTURI KITS

PART NUMBER	DESCRIPTION	LIST PRICE
MIS220HBAK	2" Full Port Venturi Kit - Unassembled (Pictured)	\$845.05
MIS300HBAK	3" Full Port Venturi Kit - Unassembled	\$1,471.88

POLYPROPYLENE INDUCTORS

PART NUMBER	DESCRIPTION	LIST PRICE
HV200	2" MPT Poly Venturi - Threaded	\$207.78
MHV200	2" Flanged Poly Venturi w/ 1 1/2" Port	\$185.01
MHV220A	2" Full Port Flanged Poly Venturi	\$185.93
M200TEEV075	2" Standard Port Flange Tee with Venturi	\$80.55
MV301CF	3" Flanged Ball Valve - Used in MIS300HBAK	\$297.14



Parts Breakdown on Page # 340



CATALOG IS LIST PRICE
PLEASE APPLY DISCOUNT

HYPRO® Cleanload Chemical Eductor

For Safe Loading of Chemicals into Spray Tanks

The Hypro Cleanload is a self-contained eduction system that allows the operator to mix liquid and dry chemicals safely and quickly. The Cleanload is available in three different hopper capacities to suit a variety of applications:

- 3375 Series Cleanload, 4.5 gallon version provides convenient loading capabilities in a compact configuration. Stainless Steel Venturi
- 3375 Series Cleanload, 5.5 gallon version is the most compact full-feature models and will hold a full 20-35 pound bag of dry material. Stainless Steel Venturi
- 3375 Series Cleanload, 7.0 gallon version features a wider 16-inch lid, hold a full 51 pound bag of dry material, and can be used to rinse large 20-liter (5.2 gal) jugs. Stainless Steel Venturi
- 3376 Series Cleanload, 7.0 gallon features a 16" lid, holds a full 51 pound bag of dry material, and can be use to rinse large 20-liter (5.2 gal) jugs, Poly Venturi



Parts Breakdown on Page 338

Part#	Description	Price
3375P-05T4	4.5 Gallon Cleanload™ Chemical Eductor, Stainless Steel Venturi	\$1,380.71
3375P-05T5	5.5 Gallon Cleanload™ Chemical Eductor, Stainless Steel Venturi	\$2,050.92
3375P-05T7	7.0 Gallon Cleanload™ Chemical Eductor, Stainless Steel Venturi	\$2,285.89
3376-1170	On-Board Sprayer 7.0 Gallon Cleanload™ Chemical Eductor, Right Hand Flow, Poly Venturi	\$1,254.27
3376-1171	On-Board Sprayer 7.0 Gallon Cleanload™ Chemical Eductor, Left Hand Flow, Poly Venturi	\$1,254.27
3376-1670	Transfer Pump 7.0 Gallon Cleanload™ Chemical Eductor, Right Hand Flow, Poly Venturi	\$1,254.27
3376-1671	Transfer Pump 7.0 Gallon Cleanload™ Chemical Eductor, Left Hand Flow, Poly Venturi	\$1,254.27
3430-0594	Suction Lance, Snap-in attachment for remote loading	\$295.21
3430-0596	Base Kit, for Cleanload™ frame or floor mounting	\$139.37
3371-0038	Poly Venturi, On-Board Sprayer, Right Hand Flow (Includes Flange Gaskets)	\$119.73
3371-0040	Poly Venturi, Transfer Pump, Right Hand Flow (Includes Flange Gaskets)	\$127.96



HYPRO® CLEANLOAD MAX

Large Capacity Eduction System

- Large capacity eduction system with a low ergonomic working height for safe and fast batch mixing and loading of liquid and dry chemicals.
- 40 or 60 gallon, full draining, cone-bottomed tank
- Translucent tank with molded graduations allows user to easily see fluid levels
- 2" or 3" bypass eductor plumbing system allows for direct filling of tank when not educting chemicals
- CycloRinse and ProClean bottle rinse prevent cross contamination of chemicals

PART NO.	DESCRIPTION	PRICE
3378-1640-2BYP	40 Gallon Tank, 2" Bypass, 16mm Eductor for Transfer Pump	\$2,359.74
3378-1640-3BYP	40 Gallon Tank, 3" Bypass, 16mm Eductor for Transfer Pump	\$2,577.92
3378-1660-2BYP	60 Gallon Tank, 2" Bypass, 16mm Eductor for Transfer Pump	\$2,601.42
3378-1660-3BYP	60 Gallon Tank, 3" Bypass, 16mm Eductor for Transfer Pump	\$2,839.74
3371-0045	2" Bypass Assembly Only, 16mm Eductor for Transfer Pump	\$874.21
3371-0046	3" Bypass Assembly Only, 16mm Eductor for Transfer Pump	\$1,258.11
85-HKNIFEKIT	PolyWest Inductor Knife Kit	\$880.69



Sprayer Specialties
Chemical Educator
 For Sprayer Mounted Applications

- 5 Gallon Tank
- Ammonium-Sulfate Ready
- Drops down for ease of use

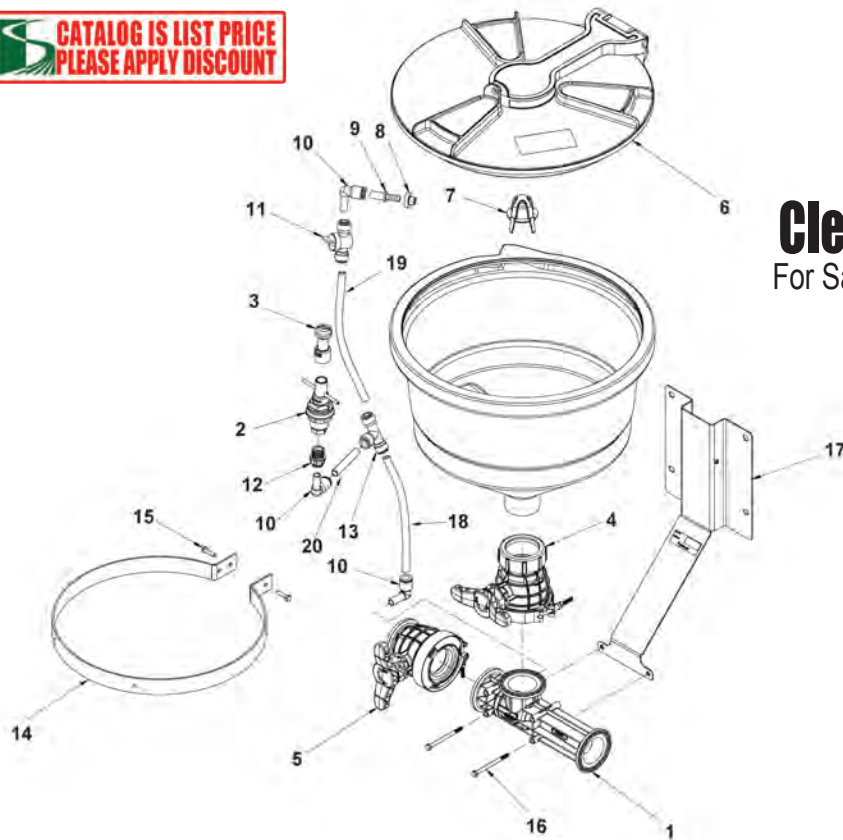


The same knife that is featured in the Handler Chemical Educator, opens chemical containers with speed and efficiency. The Handler Knife is for use with new or existing tanks with a 16" lid size only.

Part#	Chemical Educator Kit Description	Price
CM5-UNV-KIT	Kit Includes: Tank, Brackets, Valving, LESS Hose	\$1,077.41
CM-MOUNT-KIT	Drop Down Mounting Bracket for Chem Mixing Tank	\$332.17

Part#	Price
85-HKNIFEKIT	\$880.69

**CATALOG IS LIST PRICE
 PLEASE APPLY DISCOUNT**



HYPRO®

Cleanload Chemical Educator
 For Safe Loading of Chemicals into Spray Tanks



3376-1170

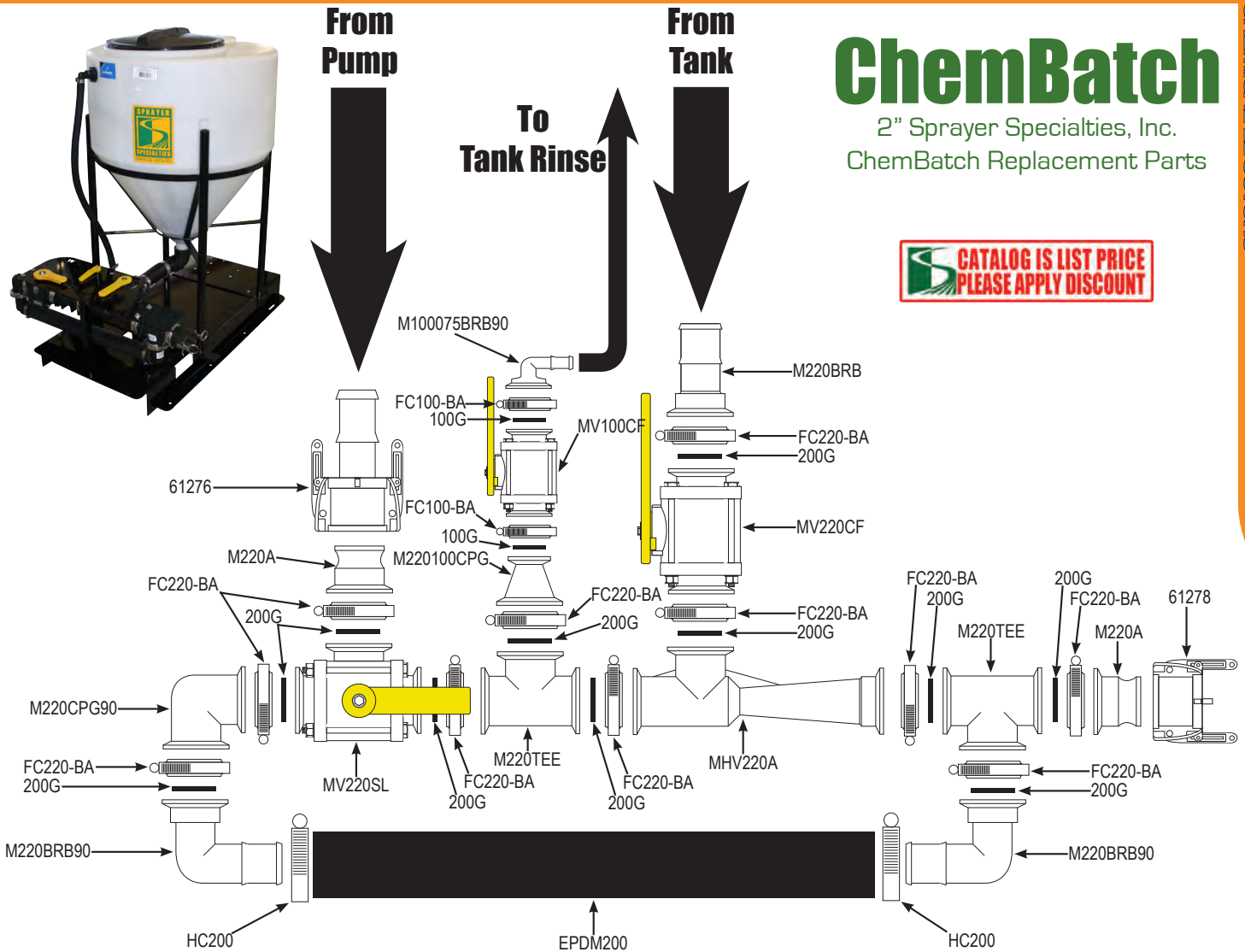
REF NO	QTY REQ'D	PART NUMBER	DESCRIPTION	PRICE
1	1	3371-0036R	Eductor (for Model 3376-0870)	\$114.03
1	1	3371-0037R	Eductor (for Model 3376-0871)	\$114.03
1	1	3371-0038R	Eductor (for Model 3376-1170)	\$114.03
1	1	3371-0039R	Eductor (for Model 3376-1171)	\$119.73
1	1	3371-0040R	Eductor (for Model 3376-1670)	\$114.03
1	1	3371-0041R	Eductor (for Model 3376-1671)	\$114.03
2	1	PV1/2F1/2M-MA	ProClean Container Rinse	\$70.49
3	1	PC1/2F-36075	Nozzle, ProClean Container Rinse	\$70.95
4	1	7250-5000	Tank Valve	\$243.26
5	1	7250-5002	UF Valve	\$230.59
6	1	TL16-0006	Lid Kit	\$75.39
7	1	3350-0180	Strainer	\$35.49
8	1	1700-0253	Grommet	\$16.70

REF NO	QTY REQ'D	PART NUMBER	DESCRIPTION	PRICE
9	1	2404-0413	Hose Barb Fitting	\$11.49
10	3	2404-0414	Elbow Fitting (1/2")	\$27.82
11	1	6JV120120	Two-Way Valve (1/2")	\$26.47
12	1	2404-0386	Fitting	\$16.70
13	1	2404-0415	Tee Fitting (1/2")	\$28.86
14	1	1510-0128	Mounting Ring	\$64.62
15	2	2210-0201	Hex Bolt, M6x1x25	\$4.11
16	2	2210-0200	Hex Bolt, M6x1x80	\$5.28
17	1	1510-0127	Bracket	\$163.44
18	1	2407-0007	Tube Kit - Use P/N 3430-0833	N/A
19	1	2407-0005	Tube Kit - Use P/N 3430-0833	N/A
20	1	2407-0006	Tube Kit - Use P/N 3430-0833	N/A
NS	1	3430-0833	Tube Kit (Includes Ref 18, 19 & 20)	\$80.77
NS	1	CM-MOUNT-KIT	Drop Down Mounting Kit	\$332.17

ChemBatch

2" Sprayer Specialties, Inc.
ChemBatch Replacement Parts

**CATALOG IS LIST PRICE
PLEASE APPLY DISCOUNT**

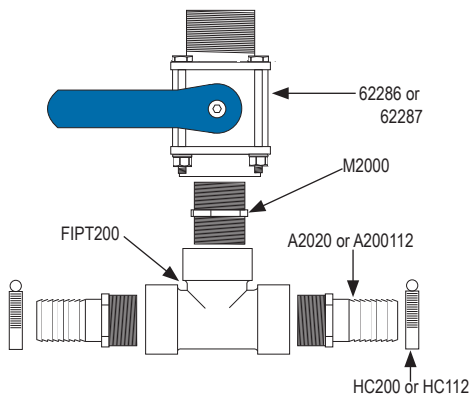


PART NUMBER	DESCRIPTION	PRICE
61276	2" Part C; Female Quick Coupler x Barb	\$25.08
61278	2" Part DC; Quick Coupler Cap	\$25.08
100G	1" Flange Gasket	\$3.53
200G	2" Full Port Flange Gasket	\$5.36
EPDM200	2" ID EPDM Sprayer Hose	\$12.45
FC100-BA	1" Flange Clamp	\$18.77
FC220-BA	2" Full Port Flange Clamp	\$23.03
HC200	2" Worm Gear Hose Clamp	\$1.89
M100075BRB90	1" Flange x 3/4" Hose Barb Elbow	\$4.13
M220100CPG	2" Full Port Flange x 1" Flange Coupler	\$24.64

PART NUMBER	DESCRIPTION	PRICE
M220A	2" Full Port Flange x 2" Male Quick Coupler	\$21.04
M220BRB	2" Full Port Flange x 2" Hose Barb	\$11.47
M220BRB90	2" Full Port Flange x 2" Hose Barb Elbow	\$16.47
M220CPG90	2" Full Port Flange Coupler Elbow	\$21.10
M220TEE	2" Full Port Flange Tee	\$22.32
MHV220A	2" Full Port Flange Venturi	\$185.93
MV100CF	1" Flange Ball Valve	\$60.18
MV220CF	2" Full Port Flange Ball Valve	\$113.52
MV220SL	2" Full Port Flange 3-Way Ball Valve	\$161.37

ChemMixer

1-1/2" or 2" Chem Mixer Plumbing



PART NUMBER	DESCRIPTION	PRICE
62286	2" Compact Full Port Ball Valve - MPT x FPT	\$66.52
62287	2" Compact Full Port Ball Valve - FPT x FPT (60 Gallon Only)	\$66.52
M2000	2" Male Pipe Thread Nipple	\$7.46
FIPT200	2" Female Pipe Thread Tee	\$22.77
A2020	2" Male Pipe Thread x 2" Hose Barb (Qty 2)	\$8.23
A200112	2" Male Pipe Thread x 1-1/2" Hose Barb (Qty 2)	\$16.36
HC200	2" Worm Gear Hose Clamp (Qty 2)	\$1.89
HC112	1-1/2" Worm Gear Hose Clamp (Qty 2)	\$1.89

Grimes, IA **800-351-1587** • Gardner, KS **877-829-8502** • Brimfield, IL **855-778-8500**