



CATALOG IS LIST PRICE
PLEASE APPLY DISCOUNT

FRAME MOUNTED CENTRIFUGAL PUMPS

CLOCKWISE ROTATION (WHEN FACING SHAFT)



PUMPS

Features:

- Suction 1 1/4" FPT - Discharge 1" FPT
- Stainless Steel Shaft and Wear Ring

1 1/4" SUCTION x 1" DISCHARGE

- Counter Clockwise Rotation when Facing Shaft End
- Chemical Resistant Valox® or Optional Cast Iron Impeller
- Standard Viton® Carbon/Ceramic seal or Optional Severe Duty Silicon Carbide Mechanical Seal

PART NUMBER	MAX GPM	MAX PSI	SHAFT DIA	PORT SIZES	LIST PRICE
FMC	70	130	5/8"	Cast Iron frame mounted centrifugal pump for belt drive applications	\$625.35
FMC-CI	70	130	5/8"	Cast Iron frame mounted centrifugal pump for belt drive applications - Cast Iron Impeller	\$716.10
FMSC	70	130	5/8"	Cast Iron frame mounted centrifugal pump for belt drive applications w/ silicon carbide seal	\$730.49
FMSC-CI	70	130	5/8"	Cast Iron frame mounted centrifugal pump for belt drive applications - Cast Iron Impeller w/ silicon carbide seal	\$821.25



Features:

- Suction 1 1/2" FPT - Discharge 1 1/4" FPT
- Stainless Steel Shaft and Wear Ring
- 120 PSI and 46 GPM at 5,200 RPM shaft speed

1 1/2" SUCTION x 1 1/4" DISCHARGE

150 SERIES
HIGH PERFORMANCE

- Counter Clockwise Rotation when Facing Shaft End
- Chemical Resistant Valox® or Optional Cast Iron Impeller
- Standard Viton® Carbon/Ceramic seal or Optional Severe Duty Silicon Carbide Mechanical Seal

PART NUMBER	MAX GPM	MAX PSI	SHAFT DIA	PORT SIZES	LIST PRICE
FMC-150	130	130	5/8"	Cast Iron frame mounted centrifugal pump for belt drive applications	\$630.88
FMC-150-CI	130	130	5/8"	Cast Iron frame mounted centrifugal pump for belt drive applications - Cast Iron Impeller	\$721.64
FMC-150F	130	130	5/8"	Flanged (220x200) Cast Iron frame mounted centrifugal pump for belt drive applications	\$697.29
FMC-150FS	135	120	5/8"	Flanged (220x200) Stainless Steel frame mounted centrifugal pump for belt drive applications	\$1,676.81
FMSC-150	130	130	5/8"	Cast Iron frame mounted centrifugal pump for belt drive applications w/ silicon carbide seal	\$736.03
FMSC-150-CI	130	130	5/8"	Cast Iron frame mounted centrifugal pump for belt drive applications - Cast Iron Impeller w/ silicon carbide seal	\$826.78
FMSC-150F	130	130	5/8"	Flanged (220x200) Cast Iron frame mounted centrifugal pump for belt drive applications w/ silicon carbide seal	\$802.44
FMSC-150FS	135	120	5/8"	Flanged (220x200) Stainless Steel frame mounted centrifugal pump for belt drive applications w/ silicon carbide seal	\$1,781.96



Features:

- Suction 1 1/2" FPT - Discharge 1 1/4" FPT
- Clockwise Rotation when Facing Shaft End
- High Performance Pump: 140 GPM / 160 Max PSI

1 1/2" SUCTION x 1 1/4" DISCHARGE

650
MAX SERIES

- Available WetSeal Technology (WS)
- E-coat Corrosion Protection
- Standard Viton® Carbon/Ceramic seal or Optional Severe Duty Silicon Carbide Mechanical Seal



PART NUMBER	MAX GPM	MAX PSI	SHAFT DIA	PORT SIZES	LIST PRICE
FMC-650	140	160	7/8"	e-Coated Cast Iron frame mounted centrifugal pump for belt drive applications	\$1,300.50
FMC-650F	140	160	7/8"	Flanged (220x200) e-Coated Cast Iron frame mounted centrifugal pump for belt drive applications	\$1,449.92
FMC-650FS	140	160	7/8"	Flanged (220x200) Stainless Steel frame mounted centrifugal pump for belt drive applications	\$2,368.57
FMSC-650	140	160	7/8"	e-Coated Cast Iron frame mounted centrifugal pump for belt drive applications w/ silicon carbide seal	\$1,427.78
FMSC-650F	140	160	7/8"	Flanged (220x200) e-Coated Cast Iron frame mounted centrifugal pump for belt drive applications w/ silicon carbide seal	\$1,577.20



Features:

- Suction 1 1/2" FPT (220 Flange)- Discharge 1 1/4" FPT (200 Flange)
- WetSeal Technology
 - Prevents Run Dry Failure
 - Isolates Seals from Chemicals and Fertilizers

1 1/2" SUCTION x 1 1/4" DISCHARGE

650
MAX SERIES

- Maximum Reliability
- FS Model - 316 Stainless Steel
- Operates at Lower RPM
- Oversized Bearings
- E-coat Corrosion Protection



PART NUMBER	MAX GPM	MAX PSI	SHAFT DIA	PORT SIZES	LIST PRICE
FMCWS-650	140	160	7/8"	e-Coated Cast Iron frame mounted centrifugal pump for belt drive applications w/ WetSeal	\$2,180.41
FMCWS-650F	140	160	7/8"	Flanged (220x200) e-Coated Cast Iron frame mounted centrifugal pump for belt drive applications w/ WetSeal	\$2,329.83
FMCWS-650FS	140	160	7/8"	Flanged (220x200) Stainless Steel frame mounted centrifugal pump for belt drive applications w/ WetSeal	\$3,248.48



Features:

- Suction 2" FPT - Discharge 1 1/2" FPT
- Stainless Steel Shaft
- For High Volume Applications: Capacity to 180 GPM

2" SUCTION x 1 1/2" DISCHARGE

200 SERIES
HIGH FLOW

- Counter Clockwise Rotation when Facing Shaft End
- Chemical Resistant Valox® or Optional Cast Iron Impeller
- Standard Viton® Carbon/Ceramic seal or Optional Severe Duty Silicon Carbide Mechanical Seal

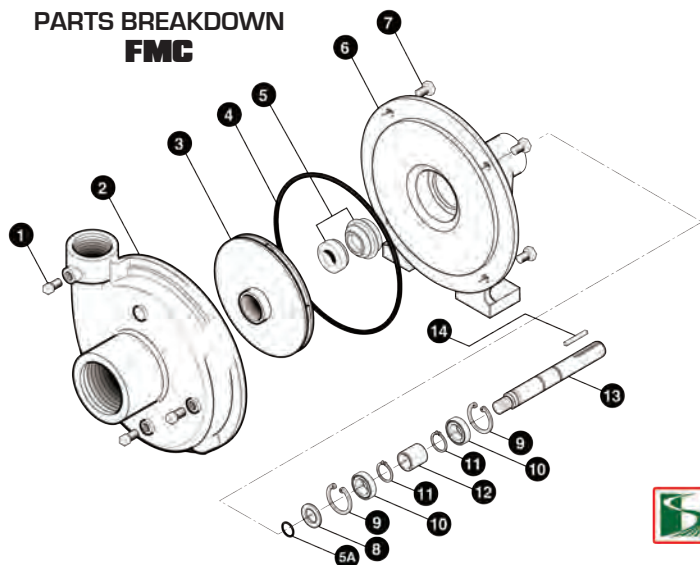
PART NUMBER	MAX GPM	MAX PSI	SHAFT DIA	PORT SIZES	LIST PRICE
FMC-200	200	120	5/8"	Cast Iron frame mounted centrifugal pump for belt drive applications	\$832.32
FMC-200-CI	200	120	5/8"	Cast Iron frame mounted centrifugal pump for belt drive applications - Cast Iron Impeller	\$923.08
FMC-200F	200	120	5/8"	Flanged (300x220) Cast Iron frame mounted centrifugal pump for belt drive applications	\$987.27
FMSC-200	200	120	5/8"	Cast Iron frame mounted centrifugal pump for belt drive applications w/ silicon carbide seal	\$937.47
FMSC-200-CI	200	120	5/8"	Cast Iron frame mounted centrifugal pump for belt drive applications - Cast Iron Impeller w/ silicon carbide seal	\$1,028.22



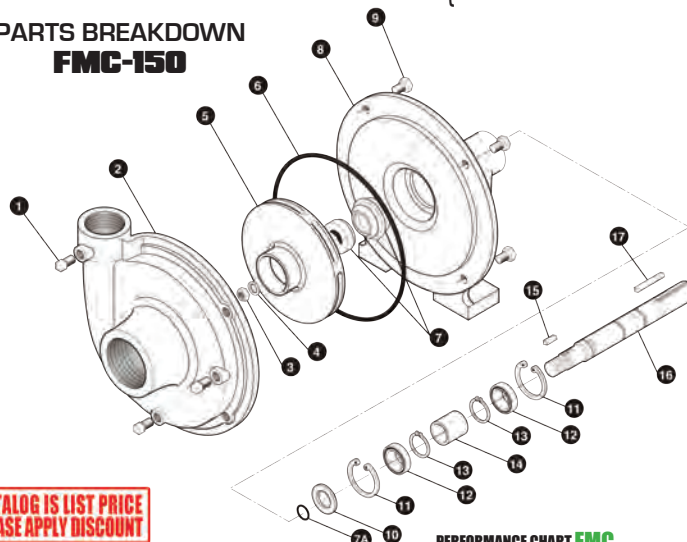
FRAME MOUNTED CENTRIFUGAL PUMPS

CLOCKWISE ROTATION (WHEN FACING SHAFT)

PARTS BREAKDOWN FMC



PARTS BREAKDOWN FMC-150



CATALOG IS LIST PRICE PLEASE APPLY DISCOUNT

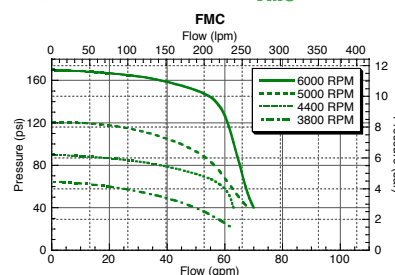
PARTS BREAKDOWN • FMC

REF#	PART#	QTY	DESCRIPTION	LIST PRICE
1	BAC-53	3	Pipe plug, 1/8" NPT	\$.63
1	41120	3	Pipe plug, 1/8" NPT, stainless steel (optional)	\$6.33
2	BAC-12	1	Volute, 1 1/4" x 1"	\$316.74
3	BAC-26-VALOX	1	Impeller, Valox, left hand thread	\$114.03
3	BAC-26-CI	1	Impeller, cast iron, left hand thread (optional)	\$253.40
4**	BAC-4A	1	O-ring, body seal	\$10.14
4	BAC-4	1	Gasket, 4 hole	\$5.07
5*	BAC-7V	1	Seal, mechanical, Viton®, includes 40160 O-ring	\$63.35
5*	BAC-7SC	1	Seal, mechanical, silicon carbide, includes 40160 (optional)	\$215.39
5A**	40160	1	O-ring for BAC-6 shaft	\$1.27
6	BAC-14-F	1	Mounting frame	\$329.41
7	40950	4	Cap screw, 3/8" NC x 3/4" hex head	\$.63
7	40930	4	Cap screw, 3/8" NC x 3/4" hex head, stainless steel (optional)	\$3.17
8	BAC-54	1	Slinger	\$1.90
9	BAC-33	2	Snap ring, internal, BAC-14 mounting frame	\$2.53
10	BAC-37	2	Ball bearing, sealed, BAC-6 shaft	\$25.34
11	BAC-32	2	Snap ring, external, BAC-6 shaft	\$.63
12	BAC-32-S	1	Spacer for BAC-6 shaft	\$7.60
13	BAC-6-SS	1	Shaft, 5/8" diameter, left hand thread, stainless steel	\$158.37
14	BAC-50	1	Key, 3/16" x 3/16" x 1 1/4"	\$1.90
*	RK-FMC	-	Repair kit for FMC series	\$75.39
*	RK-FMCSC	-	Repair kit for FMC series with silicon carbide seal	\$227.42

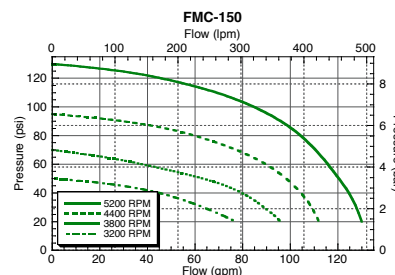
PARTS BREAKDOWN • FMC-150

REF#	PART#	QTY	DESCRIPTION	LIST PRICE
1	BAC-53	4	Pipe plug, 1/8" NPT	\$.63
1	41120	4	Pipe plug, 1/8" NPT, stainless steel (optional)	\$6.33
2	BAC-12-150	1	Volute, 1-1/2" x 1-1/4", cast iron	\$392.76
3	BAC-23-A	1	Nut, 3/8" NF Hex, cad plated locknut	\$3.17
3	BAC-23-B-SS	1	Nut, 3/8" NF, stainless steel (standard on -SS models)	\$1.27
4**	BAC-24-HYD-SS	1	Washer, 3/8", stainless steel	\$1.90
4	BAC-24-B-SS	1	Washer, 3/8", stainless steel, vibration proof (standard on -SS models)	\$8.87
5	BAC-26-150-P	1	Impeller, Valox with keyway	\$114.03
5	BAC-26-150-CI	1	Impeller, cast iron with keyway (optional)	\$272.40
5	BAC-26-150-PI	1	Impeller, polypropylene, keyway (optional)	\$114.03
6**	BAC-4-150	1	O-ring for BAC-12-150 volute seal	\$10.14
7*	BAC-7V	1	Seal, Viton® mechanical seal (includes 40160 o-ring)	\$63.35
7**	BAC-7SC	1	Seal, Silicon carbide mechanical seal (includes 40160 o-ring)	\$215.39
7A**	40160	1	O-ring for BAC-6 shaft	\$1.27
8	BAC-14-150-F	1	Mounting frame	\$411.77
9	40930	4	Cap screw, 3/8" NC x 3/4" Hex head, stainless steel (optional)	\$3.17
9	40950	4	Cap screw, 3/8" NC x 3/4" Hex head	\$.63
10	BAC-54	1	Slinger	\$1.90
11	BAC-33	2	Snap ring, internal, BAC-14 mounting frame	\$2.53
12	BAC-37	2	Bearing, BAC-6 driven shaft	\$25.34
13	BAC-32	2	Snap ring, external, BAC-6 driven shaft	\$.63
14	BAC-32-S	1	Spacer for BAC-6 shaft	\$7.60
15	BACH-25	1	Key, 1/8" x 1/8" x 1/2"	\$1.27
16	BAC-6-150/200-SS	1	Shaft, 5/8" Driven shaft with keyway, stainless steel	\$158.37
17	BAC-50	1	Key, 3/16" x 3/16" x 1-1/4"	\$1.90
*	RK-FMC-150	-	Repair kit for FMC-150 series	\$75.39
*	RK-FMCSC-150	-	Repair kit for FMC-150 series with silicon carbide shaft seal	\$227.42

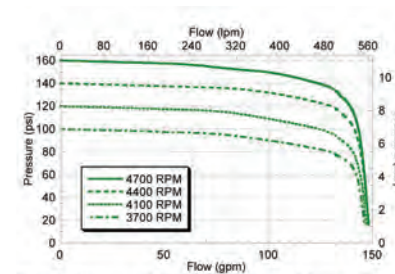
PERFORMANCE CHART FMC



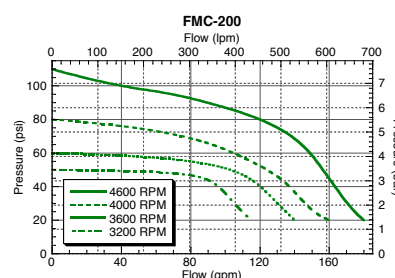
PERFORMANCE CHART FMC-150



PERFORMANCE CHART FMCWS-650



PERFORMANCE CHART FMC-200





CATALOG IS LIST PRICE
PLEASE APPLY DISCOUNT

FRAME MOUNTED CENTRIFUGAL PUMPS

COUNTER CLOCKWISE ROTATION (WHEN FACING SHAFT)



PUMPS

- Features:**
- Suction 1 1/4" FPT - Discharge 1" FPT
 - Designed for lower flow application
 - All Polypropylene corrosion resistant construction

1" SUCTION x 3/4" DISCHARGE

- Clockwise Rotation when Facing Shaft End
- Replaces 12V diaphragm pumps and roller pumps
- Standard Viton® Carbon/Ceramic seal or Optional Severe Duty Silicon Carbide Mechanical Seal

PART NUMBER	MAX GPM	MAX PSI	SHAFT DIA	PORT SIZES	LIST PRICE
FMC-CW-75	27	100	5/8"	Poly frame mounted centrifugal pump for belt drive applications	\$570.01
FMCS-CW-75	27	100	5/8"	Poly frame mounted centrifugal pump for belt drive applications w/ silicon carbide seal	\$675.15



- Features:**
- Suction 1 1/4" FPT - Discharge 1" FPT
 - Stainless Steel Shaft and Wear Ring

1 1/4" SUCTION x 1" DISCHARGE

- Clockwise Rotation when Facing Shaft End
- Chemical Resistant Valox® or Optional Cast Iron Impeller
- Standard Viton® Carbon/Ceramic seal or Optional Severe Duty Silicon Carbide Mechanical Seal

PART NUMBER	MAX GPM	MAX PSI	SHAFT DIA	PORT SIZES	LIST PRICE
FMC-CW	70	130	5/8"	Cast Iron frame mounted centrifugal pump for belt drive applications	\$625.35
FMC-CW-CI	70	130	5/8"	Cast Iron frame mounted centrifugal pump for belt drive applications - Cast Iron Impeller	\$716.10
FMC-CW-SS	70	130	5/8"	Cast Iron frame mounted centrifugal pump for belt drive applications - SS Fitted	\$647.48
FMCS-CW	70	130	5/8"	Cast Iron frame mounted centrifugal pump for belt drive applications w/ silicon carbide seal	\$730.49
FMCS-CW-CI	70	130	5/8"	Cast Iron frame mounted centrifugal pump for belt drive applications - Cast Iron Impeller w/ silicon carbide seal	\$821.25



- Features:**
- Suction 1 1/2" FPT - Discharge 1 1/4" FPT
 - High Performance Pressure to 100 PSI
 - Clockwise Rotation when Facing Shaft End

1 1/2" SUCTION x 1 1/4" DISCHARGE

- Stainless Steel Shaft
- Chemical Resistant Valox® or Optional Cast Iron Impeller
- Standard Viton® Carbon/Ceramic seal or Optional Severe Duty Silicon Carbide Mechanical Seal

PART NUMBER	MAX GPM	MAX PSI	SHAFT DIA	PORT SIZES	LIST PRICE
FMC-CW-150	80	100	5/8"	Cast Iron frame mounted centrifugal pump for belt drive applications	\$630.88
FMC-CW-150-CI	80	100	5/8"	Cast Iron frame mounted centrifugal pump for belt drive applications - Cast Iron Impeller	\$721.64
FMCS-CW-150	80	100	5/8"	Cast Iron frame mounted centrifugal pump for belt drive applications w/ silicon carbide seal	\$736.03
FMCS-CW-150-CI	80	100	5/8"	Cast Iron frame mounted centrifugal pump for belt drive applications - Cast Iron Impeller w/ silicon carbide seal	\$826.78



- Features:**
- Suction 1 1/2" FPT - Discharge 1 1/4" FPT
 - Clockwise Rotation when Facing Shaft End
 - High Performance Pump: 140 GPM / 160 Max PSI

1 1/2" SUCTION x 1 1/4" DISCHARGE

- Available WetSeal Technology
- E-coat Corrosion Protection
- Standard Viton® Carbon/Ceramic seal or Optional Severe Duty Silicon Carbide Mechanical Seal

PART NUMBER	MAX GPM	MAX PSI	SHAFT DIA	PORT SIZES	LIST PRICE
FMC-CW-650	140	160	7/8"	e-Coated Cast Iron frame mounted centrifugal pump for belt drive applications	\$1,300.50
FMCS-CW-650	140	160	7/8"	e-Coated Cast Iron frame mounted centrifugal pump for belt drive applications w/ silicon carbide seal	\$1,427.78
FMCWS-CW-650	140	160	7/8"	e-Coated Cast Iron frame mounted centrifugal pump for belt drive applications w/ Oasis WetSeal	\$2,180.41



- Features:**
- Suction 2" FPT - Discharge 1 1/2" FPT
 - Clockwise Rotation when Facing Shaft End
 - Stainless Steel Shaft

2" SUCTION x 1 1/2" DISCHARGE

- For High Volume Applications: Capacity to 180 GPM
- Chemical Resistant Valox® or Optional Cast Iron Impeller
- Standard Viton® Carbon/Ceramic seal or Optional Severe Duty Silicon Carbide Mechanical Seal

PART NUMBER	MAX GPM	MAX PSI	SHAFT DIA	PORT SIZES	LIST PRICE
FMC-CW-200	200	120	5/8"	Cast Iron frame mounted centrifugal pump for belt drive applications	\$832.32
FMC-CW-200-CI	200	120	5/8"	Cast Iron frame mounted centrifugal pump for belt drive applications w/ silicon carbide seal - Cast Iron Impeller	\$923.08
FMC-CW-200-SS	200	120	5/8"	Cast Iron frame mounted centrifugal pump for belt drive applications - SS Fitted	\$854.46
FMCS-CW-200	200	120	5/8"	Cast Iron frame mounted centrifugal pump for belt drive applications w/ silicon carbide seal	\$937.47
FMCS-CW-200-CI	200	120	5/8"	Cast Iron frame mounted centrifugal pump for belt drive applications w/ silicon carbide seal - Cast Iron Impeller w/ silicon carbide seal	\$1,028.22
FMCS-CW-200-SS	200	120	5/8"	Cast Iron frame mounted centrifugal pump for belt drive applications - SS Fitted w/ silicon carbide seal	\$959.60



- Features:**
- Suction 2" FPT - Discharge 1 1/2" FPT
 - Clockwise Rotation when Facing Shaft End
 - Heavy duty double row ball bearings

2" SUCTION x 1 1/2" DISCHARGE

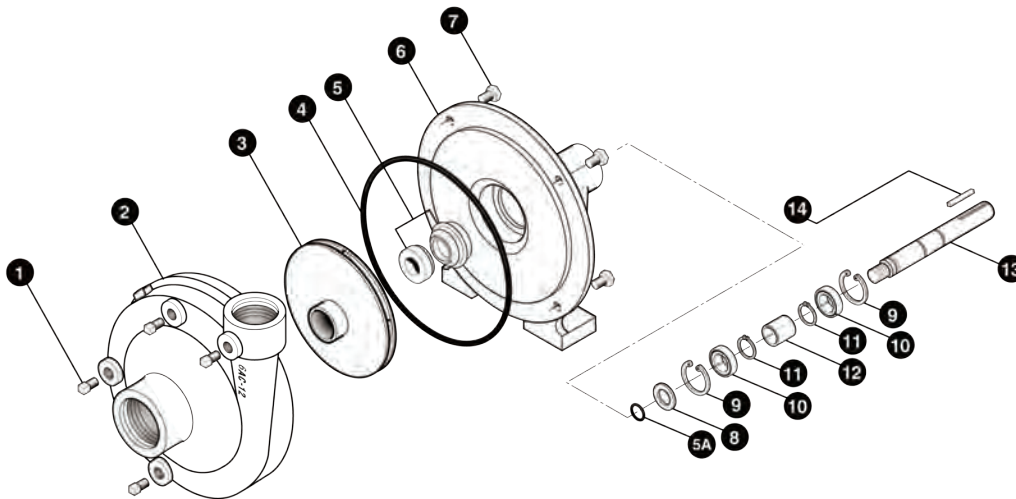
- Larger diameter impeller allows higher pressures at slower speeds
- Easily replaceable mechanical seal cartridge
- Standard Viton® Carbon/Ceramic seal or Optional Severe Duty Silicon Carbide Mechanical Seal

PART NUMBER	MAX GPM	MAX PSI	SHAFT DIA	PORT SIZES	LIST PRICE
FMC-CW-800-DRB	180	170	7/8"	Cast Iron frame mounted centrifugal pump for belt drive applications	\$1,726.62
FMC-CW-800-DRB-SS	180	170	7/8"	Cast Iron frame mounted centrifugal pump for belt drive applications w/ silicon carbide seal - SS Fitted	\$1,748.76
FMCS-CW-800-DRB	180	170	7/8"	Cast Iron frame mounted centrifugal pump for belt drive applications w/ silicon carbide seal	\$1,913.67



FRAME MOUNTED CENTRIFUGAL PUMPS
CLOCKWISE ROTATION (WHEN FACING SHAFT)

ACE PUMPS



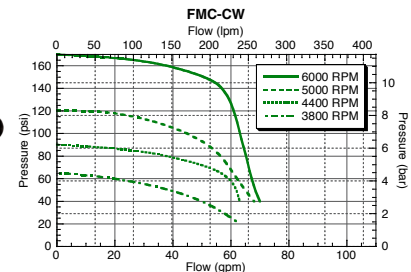
PARTS BREAKDOWN • FMC-CW

REF#	PART#	QTY	DESCRIPTION	LIST PRICE
1	BAC-53	3	Pipe plug, 1/8" NPT	\$.63
1	41120	3	Pipe plug, 1/8" NPT, stainless steel (optional)	\$6.33
2	BAC-12-CW	1	Volute, 1-1/4" x 1", cast iron	\$316.74
3	BAC-26-CW-150-P	1	Impeller, Valox, right hand NF thread	\$114.03
3	BAC-26-CW-150-CI	1	Impeller, cast iron, right hand NF thread (Optional)	\$253.40
4*	BAC-4A	1	O-ring for BAC-12-CW, volute seal	\$10.14
5*	BAC-7V	1	Seal, Viton® mechanical seal, includes 40160 O-ring	\$63.35
5*	BAC-7SC	1	Seal, Silicon carbide mechanical seal, includes 40160 o-ring (optional)	\$215.39
5A*	40160	1	O-ring for BAC-6 shaft	\$1.27
6	BAC-14-F	1	Mounting frame	\$329.41
7	40930	4	Cap screw, 3/8" NC x 3/4" hex head, stainless steel (optional)	\$3.17
7	40950	4	Cap screw, 3/8" NC x 3/4" hex head	\$.63
8	BAC-54	1	Slinger	\$1.90
9	BAC-33	2	Snap ring, internal, BAC-14 mounting frame	\$2.53
10	BAC-37	2	Bearing, BAC-6 driven shaft	\$25.34
11	BAC-32	2	Snap ring, external, BAC-6 shaft	\$.63
12	BAC-32-S	1	Spacer for BAC-6 shaft	\$7.60
13	BAC-6-CW	1	Shaft, 5/8" driven shaft, right hand NF thread (optional)	N/A
13	BAC-6-CW-SS	1	Shaft, 5/8" driven shaft, right hand NF thread, stainless steel	\$177.38
14	BAC-50	1	Key, 3/16" x 3/16" x 1-1/4"	\$1.90
*	RK-FMC		Repair kit for FMC series	\$75.39
*	RK-FMCS		Repair kit for FMC series with silicon carbide shaft seal	\$227.42

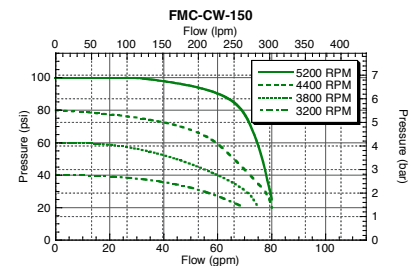
PARTS BREAKDOWN • FMC-CW-150 & 200

REF#	PART#	QTY	DESCRIPTION	LIST PRICE
1	BAC-53	4	Pipe plug, 1/8" NPT	\$.63
1	41120	4	Pipe plug, 1/8" NPT, stainless steel (optional)	\$6.33
2	6AC-12	1	Volute, 1 1/2" x 1 1/4", clockwise rotation, cast iron (FMC-CW-150)	\$392.76
2	7AC-14-4	1	Volute, 2" x 1 1/2", clockwise rotation, cast iron (FMC-CW-200)	\$430.77
3	BAC-26-CW-150-P	1	Impeller, 5 1/2" diameter, right hand NF thread, thermoplastic (FMC-CW-150)	\$114.03
3	BAC-26-CW-150-CI	1	Impeller, 5 1/2" diameter, right hand NF thread, cast iron (optional)	\$253.40
3	BAC-26-CW-200-P	1	Impeller, 5 1/2" diameter, right hand NF thread, thermoplastic (FMC-CW-200)	\$171.04
3	BAC-26-CW-200-CI	1	Impeller, 5 1/2" diameter, right hand NF thread, cast iron (optional)	\$335.75
4*	BAC-4A	1	O-ring for BAC-12 volute seal, effective April '96	\$10.14
4	BAC-4	1	Gasket, 4 hole	\$5.07
5*	BAC-7V	1	Seal, Viton® mechanical seal (includes 40160 O-ring)	\$63.35
5*	BAC-7SC	1	Seal, Silicon carbide mechanical seal (includes 40160 O-ring)(optional)	\$215.39
5A**	40160	1	O-ring for BAC-6 shaft	\$1.27
6	BAC-14-F	1	Mounting frame	\$329.41
7	40930	4	Cap screw, 3/8" NC x 3/4" Hex head, stainless steel (optional)	\$3.17
7	40950	4	Cap screw, 3/8" NC x 3/4" Hex Head	\$.63
8	BAC-54	1	Slinger	\$1.90
9	BAC-33	2	Snap ring, internal, BAC-14 mounting frame	\$2.53
10	BAC-37	2	Bearing, BAC-6 driven shaft	\$25.34
11	BAC-32	2	Snap ring, external, BAC-6 shaft	\$.63
12	BAC-32-S	1	Spacer for BAC-6 driven shaft	\$7.60
13	BAC-6-CW-SS	1	Shaft, 5/8" Driven, right hand NF thread, stainless steel	\$177.38
14	BAC-50	1	Key, 3/16" x 3/16" x 1 1/4"	\$1.90
*	RK-FMC		Repair kit for FMC series	\$75.39
*	RK-FMCS		Repair kit for FMC series with silicon carbide shaft seal	\$227.42

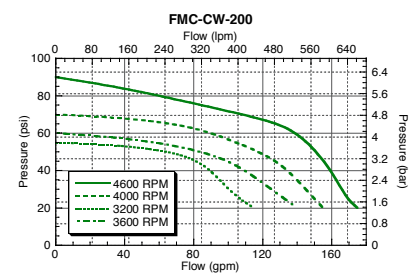
PERFORMANCE CHART FMC-CW



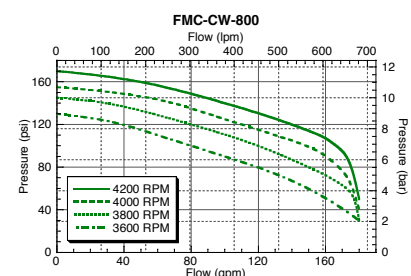
PERFORMANCE CHART FMC-CW-150



PERFORMANCE CHART FMC-CW-200



PERFORMANCE CHART FMC-CW-800



**CATALOG IS LIST PRICE
PLEASE APPLY DISCOUNT**