

TeeJet
TECHNOLOGIES



GPS • GUIDANCE SYSTEMS



MATRIX PRO570GS



MATRIX PRO840GS

MATRIX™ PRO GS

MATRIX™ GUIDANCE

GUIDANCE LIKE YOU'VE NEVER SEEN BEFORE

- **Exclusive RealView Guidance over Video** - Now you can have all the guidance information you need, watch what's ahead and monitor various implement operations on a single console simultaneously for improved accuracy, easy validation of implement performance and reduced stress.
- **NextRow** - Another TeeJet exclusive! - You'll never drive into the wrong row again when making headland turns with NextRow. Enter either swath width or number of rows and row spacing and Matrix Pro will guide you through the turns.
- **Complete User Control** - You choose what you want to see - guidance over video, video only on guidance only. Choose the number of cameras based on your requirements - up to 8 cameras can be used
- **Upgrade at Your Own Pace** - Matrix Pro is auto steer and automatic boom section control (ABSC) ready. Enabling these features in the future is fast, easy and economical.

Features & Benefits

**CATALOG IS LIST PRICE
PLEASE APPLY DISCOUNT**

- Two-way data transfer • "Painted screen" provides graphical display of field coverage, including skips and overlaps • A+ degree heading
- Guidance options outside end points for curved AB guidance modes
- Save and recall multiple guidance lines for future reference and field operations
- Bright color touch screens readable in full sunlight - choose from • Matrix Pro 570GS with 5.7" display • Matrix Pro 840GS with 8.4" display
- Intuitive, easy-to-use display with simple menus and large field image on main screen
- RealView cameras provide crisp video over a wide range of lighting conditions - full sun to total darkness
- Internal WAAS/EGNOS receiver provides reliable GPS signal
- Compatible with CORS or base station RTK solutions in addition to WAAS and OmniStar XP/HP (requires use of additional external receiver)

MATRIX PRO570GS

Part#	Description	Price
90-02814	Matrix 570GS / Patch Antenna / w/o Camera	\$3,735.96
90-02810	Matrix 570GS / Patch Antenna / with Camera	\$4,162.40
90-02815	Matrix 570GS / RXA-30 Antenna / w/o Camera	\$4,277.06
90-02816	Matrix 570GS / RXA-30 Antenna / with Camera	\$4,704.90

MATRIX PRO840GS

Part#	Description	Price
90-02830	Matrix 840GS / Patch Antenna / w/o Camera	\$5,065.63
90-02831	Matrix 840GS / Patch Antenna / with Camera	\$5,493.48
90-02832	Matrix 840GS / RXA-30 Antenna / w/o Camera	\$5,606.73
90-02833	Matrix 840GS / RXA-30 Antenna / with Camera	\$6,033.18



VIDEO CAMERA



COLOR 3-D GUIDANCE



ASSISTED STEERING



AUTOMATIC BOOM CONTROL

Part#	Description	Price	Part#	Description	Price
Camera			Cables		
90-02546	Kit, RealView Camera, w/ Mount w/ 20' Cable	\$445.84	45-05645	Cable, Power, US Style Cigarette Lighter	\$118.90
90-02719	Kit, RealView Camera, w/ Mount w/ 60' Cable	\$580.58	45-05775	Cable, Power, Direct to Battery, 10'	\$132.19
90-02565	Kit, Video Selector w/ 4 Cameras & 20' Extension	\$2,612.52	45-05617	Cable, Camera Extension, 20'	\$193.23
78-08067	Video Selector Module, 4 Channel Video MUX	\$829.24	45-05618	Cable, Camera Extension, 60'	\$254.03
78-08068	Video Selector Module, 8 Channel Video MUX	\$965.37	45-05676	Cable, GPS Antenna Ext. for Patch or RXA-30, 25'	\$254.03
Mounting			45-05626	Cable, Power CAN, RS232 Adapter to Conxall 8 Plug	\$304.97
90-02349	Kit, RAM Mount w/ Suction Cup, Matrix 570GS	\$148.42	45-05786	Cable, RXA-30 Antenna, 20'	\$233.84
90-02700	Kit, RAM Mount w/ Suction Cup, Matrix 840GS	\$193.07	45-05787	Cable, RXA-30 Antenna, 30'	\$345.59
78-50179	Magnetic Mount for Camera	\$71.16	45-05615	Cable, Matrix Speed Output/Sense, 4 Pos	\$118.90
65-05179	Plate, Mounting for Patch Antenna	\$14.30	45-05765	Cable, Matrix Speed Out/Sense In	\$133.77
65-05185	RAM Mount for Camera	\$71.16	45-05396	Cable, Power 3 Pos Amp, 10, 3, 8 Pos WP	\$180.23
Antenna			78-05097	Cable, Pressure to CAN Interface	\$568.01
90-02738	Kit, GPS Patch Antenna w/ Mounting Hardware	\$217.98	45-05887	Cable, Pressure Sensor, 3'	\$56.37
78-50190	Antenna, GPS Patch L1 w/ GLONASS	\$295.25	45-05886	Cable, Pressure Sensor, 25'	\$121.11
78-50186	Antenna, GPS RXA-30, no Cable	\$604.35	Miscellaneous		
90-02720	Kit, RXA-30 Antenna w/ 20' Cable	\$782.68	90-02759	Kit, Tilt Sensor for Matrix Guidance, w/ CAN and Power Cable (45-05626)	\$1,694.84
90-02721	Kit, RXA-30 Antenna w/ 30' Cable	\$842.12			

TeeJet TECHNOLOGIES FIELD PILOT FOR MATRIX PRO GS



FIELD PILOT®



MATRIX PRO GS



HYDRAULIC AUTO STEERING • DOES MORE, COSTS LESS

Adaptable to your field conditions and your location

Rough terrain? Hilly, sloped fields? Tilt compensation and gyro stabilization are standard features and automatically correct side slope positional errors and ensure accuracy in all your field operations.

Certain machines can benefit from different levels of steering aggressiveness on the left and right sides. FieldPilot allows independent left and right adjustments, which means optimum performance and accuracy.

Field Pilot is compatible with CORS or base station RTK solutions in addition to WAAS and OmniSTAR XP/HP.

Easy to use and easy to install

FieldPilot comes with a convenient remote engagement button so you can keep your hands where they belong. An optional foot switch frees up hands even more, making busy headland turns easier to handle.

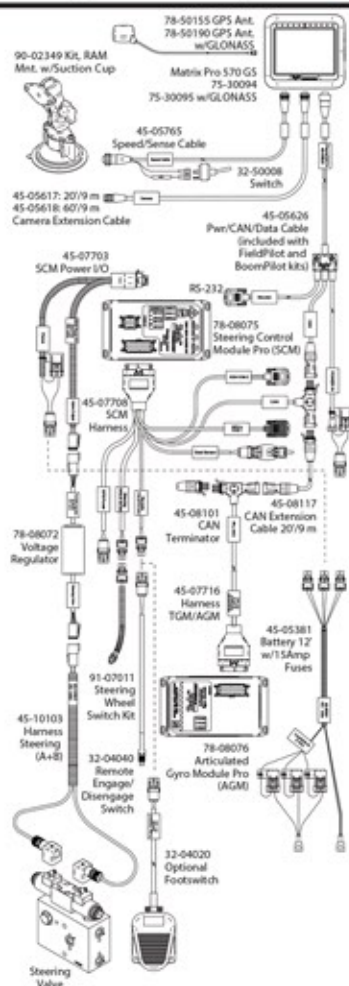
The Matrix interface is easy to learn. Touch screen operation using intuitive icons simplifies set-up and operation. You can configure FieldPilot steering settings in a matter of minutes. The steering set-up is a simple step-by-step process, so you can have your machine steering accurately with minimal effort.

FieldPilot is designed to be owner-installed in about half a day. Each kit includes all the custom-designed brackets, hoses and fittings you'll need to fit the FieldPilot valve and components to your equipment. Kits include excellent instructions with plenty of photos. More than 65 vehicle-specific hook-up kits are available, making FieldPilot compatible with more than 275 tractors and sprayers.

*Matrix Pro GS Guidance Kit Required from Pate 160

FIELD PILOT FOR MATRIX PRO GS

Part#	Description	Price
91-00018	Matrix Field Pilot - New System Kit	\$4,211.89
91-XXXXX	Vehicle Kit - Manufacturer Specific • PRICING VARIES	
32-04020	Engage / Disengage Foot Switch	\$299.96



FIELD PILOT®

FIELDPILOT FOR AUTO STEER READY TRACTORS John Deere & Case IH Kits Available

FIELD PILOT FOR AUTO STEER READY TRACTORS

Part#	Description	Price
91-02700	Vehicle Kit - MX and Magnum Tractors	\$5,455.87
91-02701	Vehicle Kit - 8X10, 8X20, 8X30 Series John Deere	\$5,455.87
91-02702	Vehicle Kit - 8XXX R Series	\$5,455.87

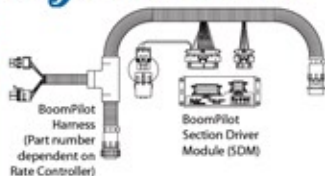
*Matrix Pro GS System Required. Sold Separately



TeeJet

AUTO SECTION CONTROL

TeeJet BoomPilot



Auto Boom Section Control for the Matrix and Matrix Pro

- Plug & Play for most rate controllers
- 3 Programmable Overlaps (0%, 50%, 100%)
- Handles up to 15 sections
- Delay On/Off



Part#	Description	Price
90-02XXX	Section Driver Module and Harness Console/Machine Specific Part Number	\$2,130.05

TeeJet Row Pilot

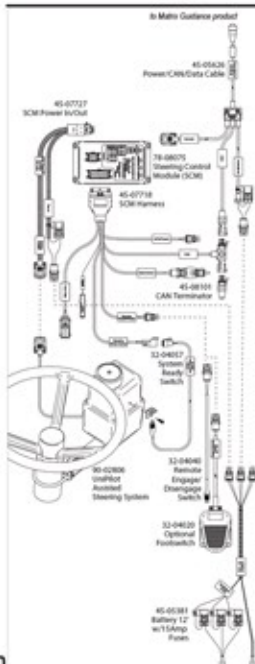


Automatic Section Control Complementing the TruCount Air Clutch for Corn Planters

RowPilot is an automatic section control product that provides planter section control when connected to a CenterLine® 230BP or BoomPilot® Pro device and a Tru Count Air Clutch® system for corn planters. The RowPilot will automatically shut off planter row sections where overlap occurs, saving seed input costs. RowPilot automatically resumes planting when the overlapped area has been exited. With the assistance of GPS information received from the CenterLine 230BP or BoomPilot Pro consoles, RowPilot can operate planters with 8, 12, 16, or 24 rows. The included switchbox allows for the manual operation of planter clutches.

- * Eliminate over planting on end rows and point rows
- * Prevent yield loss by eliminating competitive plants that often lodge, reducing the yield of the desired stand of plants
- * Speed up planting – travel at normal planting speed into end rows
- * Avoid losing seed when planter is raised
- * Reduce stress about the need for accurately lifting and lowering planter on end rows
- * Improve the efficiency of night planting
- * Reduce cost of other inputs, like insecticides, that operate on the same linkage
- * Improve harvest efficiency with rows that are easy to follow.

Part#	Description	Price
90-02571	Row Pilot - New System Kit • Kit Includes: (78-30010) 12 Section Switch Box, (45-05634) Harness, (78-05077) Section Driver Module/Software	\$2,926.39



UNIPILOT

**CATALOG IS LIST PRICE
PLEASE APPLY DISCOUNT**

UniPilot offers the features you need to increase the efficiency, productivity and flexibility of your operation. Through easy installation that fits a wide range of vehicles, UniPilot gives you the portability that other assisted steering systems can't provide. Additionally, the smooth, accurate performance and range of guidance modes will impress you. UniPilot is truly the best value in assisted steering today.



Part#	Description	Price
91-02400	Kit, UniPilot System w/ SCM, ESM, and Mounting Bracket (Matrix not included)	\$8,647.32
90-02806	Kit, UniPilot ESM and Brackets only	\$6,940.99
UniPilot System Options		
28-01030	Friction Wheel, Electric Steering Motor	\$76.15
91-07015	Kit, Universal Mounting Brackets, UniPilot	\$204.87