



FMO2500

FOAM MARKING SYSTEM

Standard 25 Gallon Foam Marker

Features:

- 25 gallon, high density poly tank
- Wet/Dry knob for on-the-go adjustment
- Long-life molded rubber boots
- Disconnect boots for "Strip Foaming"
- Standard with 100' of 1/2" foam hose
- Open-flow system means easy tank mixing
- End-line "foam enhancing" chambers for thicker foam
- 4 - 5/16" molded-in lugs in back of tank for easy mounting
- Lighted control box with left/right switch & indicator lights
- 20' break-away harness (10' x 10')
- Molded-in component housing

Specifications:

Capacity: 25 Gallon
 Power Source: 12 Volt
 Amperage Use: Switched Left - 12 Amps. / Switched Right - 13.5 Amps.
 Running Time per Fill: 8.03 hours
 Dimensions: Width: 22" / Depth: 14" / Height: 31"
 Drop Rate: 14 drops per minute / 370 gallons per hour (by volume)



Part#	Description	Price
FMO2500	25 Gallon Standard System	\$3,450.56



HO-FMO2500

HIGH OUTPUT FOAM MARKING SYSTEM

High-Output 25 Gallon Foam Marker

Features:

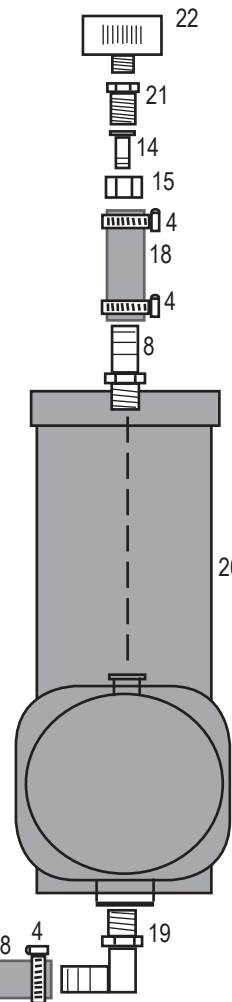
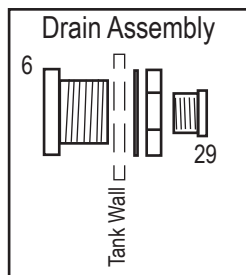
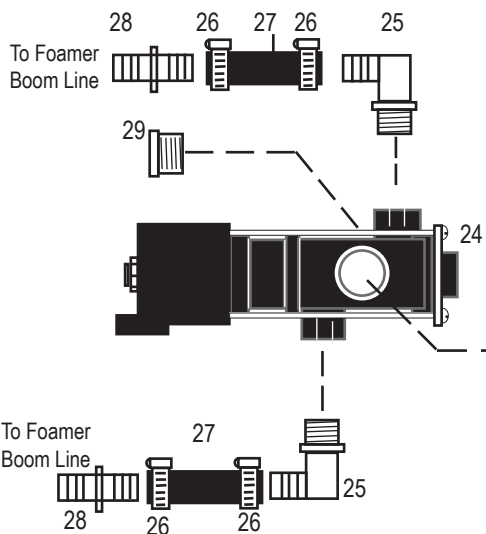
- 25 gallon, high density poly tank
- Wet/Dry knob for on-the-go adjustment
- Long-life molded rubber boots
- Disconnect boots for "Strip Foaming"
- Standard with 100' of 3/4" foam hose
- Open-flow system means easy tank mixing
- End-line "foam enhancing" chambers for thicker foam
- 4 - 5/16" molded-in lugs in back of tank for easy mounting
- Lighted control box with left/right switch & indicator lights
- 20' break-away harness (10' x 10')
- Molded-in component housing

Specifications:

Capacity: 25 Gallon
 Power Source: 12 Volt
 Amperage Use: Switched Left - 19 Amps. / Switched Right - 20.5 Amps.
 Running Time per Fill: 4.5 hours
 Dimensions: Width: 22" / Depth: 14" / Height: 31"
 Drop Rate: 17 drops per minute /
 528 gallons per hour (by volume)

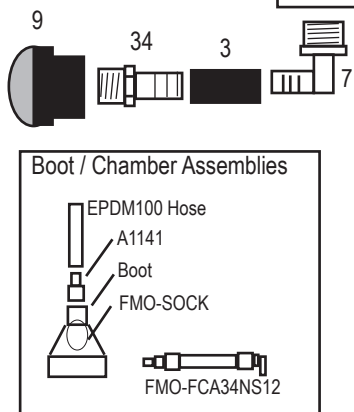
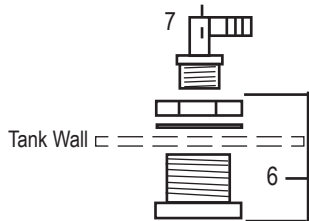
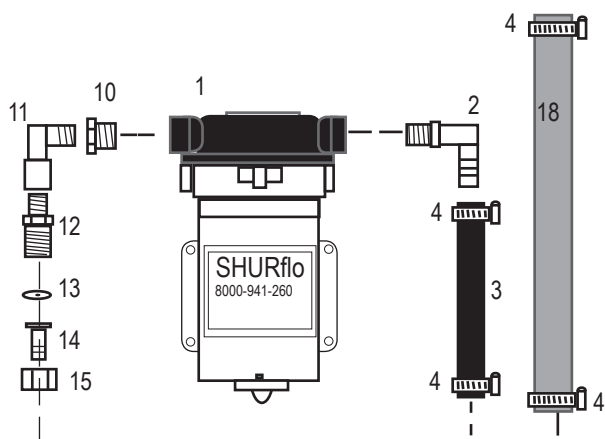


Part#	Description	Price
HO-FMO2500	25 Gallon High Output System	\$3,704.27



FMO2500 FOAM MARKING SYSTEM

PARTS BREAKDOWN



1	8000-941-260	Shurflo 12 Volt	\$212.35
2	EL3812	3/8" Npt x 1/2 Barb	\$1.87
3	EPDM12	1/2" Rubber Hose	\$1.94
4	HC38	3/8" Clamp	\$1.01
5	EL3438	3/4" Npt x 3/8" Barb El	\$2.57
6	NORFITT34	3/4" Tank Fitting Assm.	\$21.84
7	EL3412	3/4" Npt x 1/2 Barb El	\$2.55
8	A1838	3/8" Npt x 3/8" Barb	\$0.98
9	RVSTR38	3/8" Strainer	\$14.82
10	RB3814	Rdcr. Bushing 3/8" x 1/4"	\$4.76
11	SE14	1/4" Street Elbow	\$4.64
12	1/4TT-NYB	1/4" Female Nozzle Body	\$3.61
13	CP4916-31	Orifice Plate	\$4.17
14	K840038	3/8" Hose Shank	\$1.41
15	NC	Nozzle Cap	\$0.96
16	11750-PP-5	Check Valve	\$7.47
17	NBI38	3/8" Straight Nozzle Body I	\$2.13
18	BVT38	3/8" Braided Vinyl Tubing	\$1.11
19	EL1838	1/8" Npt x 3/8" Barb El	\$1.73
20	FMO-COMP	Thomas Air Comprsr. / Std	\$806.58
21	1/4T-NYB	Male Adapter	\$3.70
22	FMO-COMP-CF	Compressor Filter	\$32.91
23	YB38	3/8" Y Barb	\$6.45
24	26324-144F	Solenoid Valve	\$237.03
25	EL1212	1/2" NPT x 1/2" Barb	\$1.94
26	HC12	1/2" Clamp	\$1.58
27	EPDM12	1/2" Rubber Hose	\$1.94
28	TM1200	Hose Connector 1/2"	\$1.15
29	F3400	3/4" Pipe Plug	\$4.87
30	SOL25FMT	25 Gallon Foamer Tank	\$323.21
31	FMO-DOOR	Door Kit with Screws Etc.	\$53.10
32	FMO-MP-NS	Internal Mount Plate	\$32.67
34	A3812	Fitting	\$1.10