



## 115880 E-CHEMSAVER® ELECTRIC SOLENOID SHUTOFF

The 115880 E-ChemSaver® is a direct replacement to the 55295 E-ChemSaver®



The 115880 e-ChemSaver is a solenoid actuated shutoff compatible with a wide range of TeeJet nozzle bodies equipped with a diaphragm check valve. It can be used for end of boom nozzles as well as individual tip shutoff and PWM controls.

- Valve is normally closed and opens when solenoid is energized.
- Use with most diaphragm check valve equipped with TeeJet nozzle bodies.
- 1/4 second response time
- 2-Pin MetriPack connector molded into body for a clean, weather-tight electrical connection
- Wetted materials include stainless steel and Viton
- 100 PSI maximum spraying pressure at minimum voltage
- 0.6 GPM at 5 PSI pressure drop and 0.9 GPM at 10 PSI pressure drop
- Offered in 12-Volt DC version
- Current draw of 0.9 AMPS at 12-Volts

PART NO.	VOLTAGE (DC)	FOR USE WITH TEEJET NOZZLE BODY	LIST PRICE
115880-1-12-05	12	QJ8360, QJT8360, 8360, QJ17560A, QJP19011, QJ200, QJ300, QJ360E, QJ39685 13431, 24216A, 24230A, 24231A, Push-to-Connect Series w/ 0.5M Metri-Pack Cable	\$261.10
115880-2-12-05	12	QJ360C, QJ360F, QJ370, QJ22187, QJ8355, 8355 w/ 0.5M Metri-Pack Cable	\$261.10
115880-4-12-05	12	QJS Series, <b>LESS CABLE</b>	\$261.10
98552-05		2 Wire, 0.5M Metri-Pack Cable	\$20.20
98552-15		2 Wire, 1.5M Metri-Pack Cable	\$26.03
98552-30		2 Wire, 3.0M Metri-Pack Cable	\$33.90



## TEXAS INDUSTRIAL REMCOR SOLENOID VALVES

### 1999A SERIES

#### Series 1999A

- Maximum Pressure: 175 PSI
- GPM: 0 - 18
- Pressure Drop: 5 PSI at 18 GPM
- Voltage: 12-Volt DC
- Standard Current Draw: 1.1 AMPS
- Valve: Normally Closed
- Diaphragm/Seat/Seals: Viton®
- 1" FPT Inlet / MPT Bypass Line; 3/4" FPT Boom Outlet
- Terminals: .25" Spade / Weather Pack Available (WP)



PART NO.	DESCRIPTION	LIST PRICE
1999A-1	Solenoid Valve	\$208.34
1999A-WP	Solenoid Valve (WP)	\$209.51
<b>REPLACEMENT PARTS</b>		
2045	Repair Kit, Old Style Viton	\$126.31
2517	Repair Kit, "A", Viton	\$94.75
2518	Repair Kit, "A", Aflas	\$136.37
2515	Coil Assembly	\$125.26

### 2500B SERIES

#### Series 2500B

- Maximum Pressure: 100 PSI
- GPM: 0 - 10
- Pressure Drop: 5 PSI at 10 GPM
- Voltage: 12-Volt DC
- Standard Current Draw: 2 AMPS
- Valve: Normally Closed
- Diaphragm/Seat/Seals: Viton®
- 3/4" FPT Inlet / MPT Bypass Line; 1/2" FPT Boom Outlet
- Terminals: .25" Spade / Weather Pack Available (WP)



PART NO.	DESCRIPTION	LIST PRICE
2500B	Solenoid Valve	\$154.27
2500B-WP	Solenoid Valve (WP)	\$155.91
<b>REPLACEMENT PARTS</b>		
2352	Repair Kit	\$49.48

### 2201A SERIES

#### Series 2201A

- Maximum Pressure: 125 PSI
- GPM: 0 - 1
- Pressure Drop: 5 PSI at 1 GPM
- Voltage: 12-Volt DC
- Standard Current Draw: 1.1 AMPS
- Valve: Normally Closed
- Diaphragm/Seat/Seals: Viton®
- 1/4" FPT Inlet / Outlet
- Terminals: .25" Spade / Weather Pack Available (WP)



PART NO.	DESCRIPTION	LIST PRICE
2201A	Solenoid Valve	\$116.67
2201A-WP	Solenoid Valve (WP)	\$120.27

### 2203A SERIES

#### Series 2203A

- Maximum Pressure: 175 PSI
- GPM: 0 - 5
- Pressure Drop: 3.5 PSI at .5 GPM
- Voltage: 12-Volt DC
- Standard Current Draw: .85 AMPS
- Valve: Normally Closed
- Diaphragm/Seat/Seals: Viton®
- 1/4" FPT Inlet / Outlet
- Terminals: .25" Spade / Weather Pack Available (WP)



PART NO.	DESCRIPTION	LIST PRICE
2203A	Solenoid Valve	\$101.12
2203A-WP	Solenoid Valve (WP)	\$104.89

### 2100C SERIES

#### Series 2100C

- Maximum Pressure: 125 PSI
- GPM: 0 - 10
- Pressure Drop: 7.5 PSI at 10 GPM
- Voltage: 12-Volt DC
- Standard Current Draw: 2 AMPS
- Valve: Normally Closed
- Diaphragm/Seat/Seals: Viton®
- 3/4" FPT Inlet / MPT Bypass Line; 1/2" FPT Boom Outlet
- Terminals: .25" Spade / Weather Pack Available (WP)



PART NO.	DESCRIPTION	LIST PRICE
2100C	Solenoid Valve	\$156.44
2100C-WP	Solenoid Valve (WP)	\$159.33

### 2601A SERIES

#### Series 2601A

- Type: Direct Operating On/Off
- Maximum Pressure: 125 PSI
- GPM: 0 - 1
- Pressure Drop: 5 PSI at 1 GPM
- Voltage: 12-Volt DC
- Standard Current Draw: 1.1 AMPS
- Valve: Normally Closed
- Diaphragm/Seat/Seals: Viton®
- 1/4" FPT Inlet / 1/4" Turn Nozzle Body Outlet
- Terminals: Weather Pack Available (WP)



PART NO.	DESCRIPTION	LIST PRICE
2601A	Solenoid Valve	\$127.76

### 2204A SERIES

#### Series 2204A

- Type: 3-Way Direct Operating
- Maximum Pressure: 55 PSI
- GPM: 0 - 5
- Pressure Drop: 5 PSI at .5 GPM
- Voltage: 12-Volt DC
- Standard Current Draw: .85 AMPS
- Valve: Bottom Normally Closed  
Upper Normally Open
- Diaphragm/Seat/Seals: Viton®
- 1/4" FPT Inlet / Outlet
- Terminals: .25" Spade / Weather Pack Available (WP)



PART NO.	DESCRIPTION	LIST PRICE
2204A	Solenoid Valve	\$120.45
2204A-WP	Solenoid Valve (WP)	\$122.82



# TeeJet Solenoid Valves

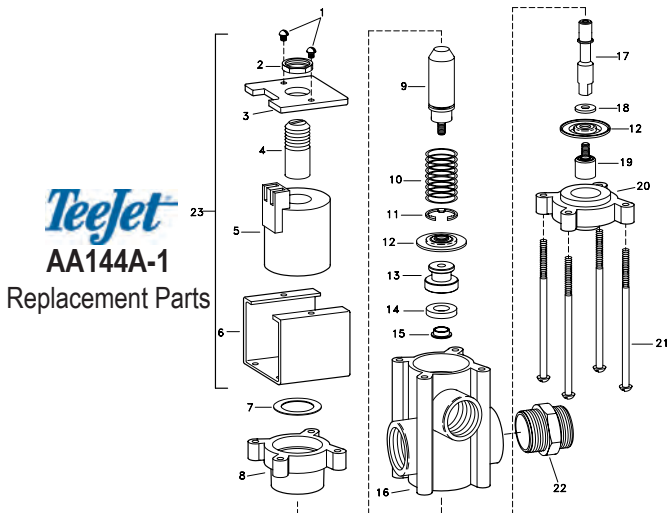


## AA144A Valve for Pressures up to 100 PSI

- 10 GPM flow with only 5 PSI pressure drop.
- Can be ganged with other 144A DirectoValve control valves.
- 2.5 amp current draw.
- Polypropylene body for chemical resistance.
- Fabric reinforced diaphragms.
- 3/4" inlet, 1/2" outlet
- Also available as 2 or 3 unit assembly.

Part#		Price
AA144A-1	1 Solenoid	\$207.24
AA144A-2	Group of 2 Solenoids	\$419.81
AA144A-3	Group of 3 Solenoids	\$632.42

Parts Breakdown Below



TeeJet  
AA144A-1  
Replacement Parts



## AA145H Control Valves

- For pressures to 100 PSI;
- 15 GPM flow with 5 PSI pressure drop.
- Can be ganged with other 145H DirectoValve control valves.
- 2.9 amp current draw
- Fiberglass reinforced Nylon body.

Part#	Price
AA145H-1 1 Solenoid	\$474.48

Parts Breakdown Below



## AA144A-1-3 Control Valves

The 3-way solenoid-operated DirectoValve control valve bypasses boom float to maintain constant spraying pressure when one or more boom sections are shut off. To maintain pressure with a 23520 Throttling Valve, Outlet 2 must be throttled to match the total capacity of the nozzles on that boom section.

Part#	Price
AA144A-1-3 1 Solenoid	\$281.99



## AA144P Control Valves

- 10 GPM flow with 5 PSI pressure drop.
- 2.5 amp current draw
- Polypropylene body for chemical resistance.
- Encapsulated coil and magnetic circuit.

Part#	Price
AA144P-1 1 Solenoid	\$285.61



## Type 23520

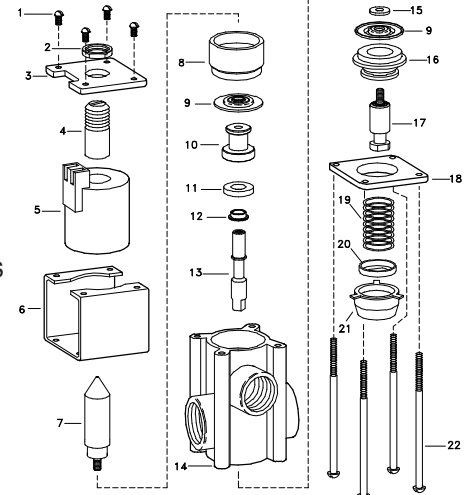
- Pressures to 150 PSI
- 1/2" and 3/4" NPT conn.
- 10 PSI pressure drop at 6 GPM flow rate for 1/2"; 18 GPM for 3/4" size.

For Regulating Bypass on AA144A-1-3

Part#	Price
23520-1/2-PP 1/2"	\$40.01
23520-3/4-PP 3/4"	\$40.01



# TeeJet AA145H-1 Replacement Parts



Item No.	Part No.	Description	Price
1	CP7698-SS	Screw, Stainless Steel (4 Req'd)	\$2.46
2	CP18602-IENP	Jam Nut, Steel	\$16.28
3	CP18603-1-I	Coil Cover	\$18.24
4	CP18618-IENP	Armature Stop	\$47.68
5	CP18605-NYB	Coil Assembly, Nylon Encapsulated	\$145.43
6	CP18623-1-I	Strap, Sub-Assembly	N/A
7	CP18606-IENP	Armature, Steel	\$74.80
8	CP18607-NYB	Upper Diaphragm Housing, Nylon	\$47.28
*9	CP18621-EPR	Diaphragm, EPDM (2 Req'd)(145H-1)	\$15.69
*9	CP18621-VI	Diaphragm, Viton (2 Req'd)(145H-1-VI)	\$30.95
10	CP18610-SS	Seat Washer Retainer, Stainless Steel	\$26.47
*11	CP18611-EPR	Seat Washer, EPDM (145H-1)	\$14.56
*11	CP18611-VI	Seat Washer, Viton (145H-1-VI)	\$22.53
12	CP18612-SS	Spacer, Stainless Steel	\$5.45
13	CP18613-SS	Stem, Stainless Steel	\$26.25
14	CP18601-1-NYB	Body, Nylon	\$31.81
15	CP18609-SS	Washer, Stainless Steel	\$7.99
16	CP18614-NYB	Lower Diaphragm Housing, Nylon	\$48.73
17	CP18617-SS	Lower Diaphragm Piston, Stainless Steel	\$19.33
18	CP18615-I	Bottom Plate	N/A
19	CP25831-302SS	Spring, 302 Stainless Steel	\$17.09
20	CP18620-304SS	Spring Retainer, 304 Stainless Steel	\$9.90
**21	CP18622-EPR	Boot, EPDM Rubber	\$12.88
22	CP18619-SS	Screw, Stainless Steel (4 Req'd)	\$6.95
PK-AB145H-KIT		Spare Parts Kit (Includes items marked with *)	\$67.05
AB145H-VI-KIT		Spare Parts Kit (Includes items marked with *)	\$96.06

Item No.	Part No.	Description	Price
1	CP14933-SS	Screw, Stainless Steel (2 Req'd)	\$2.09
2	CP15168-IENP	Jam Nut	\$6.96
3	CP15166-I	Coil Cover	\$6.10
4	CP15161-IENP	Armature Stop	\$14.85
5	CP15163-NYB	Coil Assembly, Nylon Encapsulated	\$68.61
6	CP14927-3-I	Strap, Steel, Nitrotec Finish	\$11.32
7	CP15169-302SS	Washer, Stainless Steel	\$2.70
8	CP15164-NYB	Upper Diaphragm Housing, Nylon	\$7.26
9	CP15170-IENP	Armature	\$27.39
**10	CP15167-302SS	Spring, Stainless Steel	\$7.28
11	CP14813-1-IENP	Retaining Ring	\$2.76
*12	CP36101-EPR	Diaphragm, EPDM (Standard)	\$9.73
**12	CP36101-VI	Diaphragm, Viton (Optional)	\$21.90
13	CP14807-SS	Seat Washer Retainer, Stainless Steel	\$22.17
*14	CP14802-EPR	Seat Washer, EPDM (Standard)	\$7.52
**14	CP14802-VI	Seat Washer, Viton (Standard)	\$26.41
15	CP14811-SS	Spacer, Stainless Steel	\$6.38
16	CP14801-PP	Body, Polypropylene (NPT)	\$19.68
17	CP14812-SS	Stem, Stainless Steel	\$25.07
18	CP14806-SS	Washer, Stainless Steel	\$7.33
19	CP15162-SS	Lower Diaphragm Piston, Stainless Steel	\$13.94
20	CP15165-NYB	Lower Diaphragm Housing	\$27.01
21	CP14819-SS	Screw, Stainless Steel (4 Req'd)	\$2.46
22	CP21737-NYB	Connecting Nipple (Use for Multiple Units)	\$6.28
23	15905	Coil Sub-Assembly (Contains items 1-6)	\$81.64
PK-AB144A-1-KIT		Spare Parts Kit (Includes items marked with *)	\$37.23
PK-AB144A-1-VI-KIT		Spare Parts Kit (Includes items marked with **)	\$55.69