

DirectoValve® Manual Control Valve

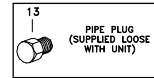
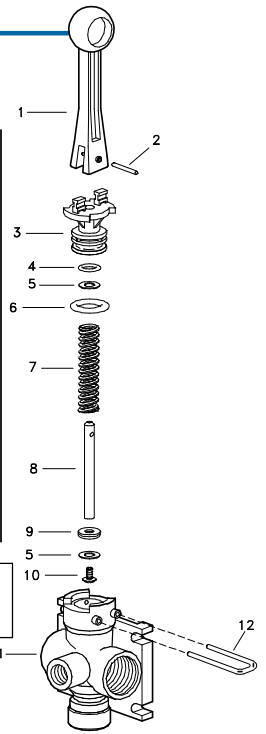


Model 6B

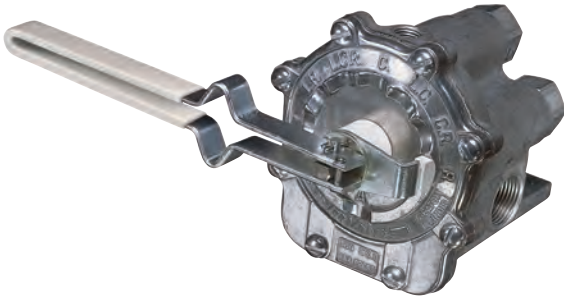
- Molded of corrosion resistant materials; all wetted parts are polypropylene, stainless steel and polyethylene.
- Maximum pressure of 150 PSI.
- Large capacity, 12 GPM pressure drop.
- Molded-in mounting flange and 1/4" NPT gauge port.
- Valves can be ganged together using hex nipple for multiple boom control.
- Easily repaired without removing valve from spray line.

Part#	Description	Price
AA6B	Manual Control Valve	\$68.16

Item No.	Part No.	Description	Price
1	CP36301-NY	Handle, Nylon	\$7.52
2	CP36308-SS	Groove Pin, S.S.	\$1.70
3	CP36302-PP	Body Insert, Poly	\$6.76
*4	CP7717-2/108-VI	O-Ring, Viton	\$6.76
5	CP36307-PPB	Washer, Poly (2)	\$2.49
*6	CP7717-2/209-VI	O-Ring, Viton	\$11.20
7	CP36306-302SS	Spring, S.S.	\$4.45
8	CP36304-SS	Stem, S.S.	\$8.00
*9	CP38726-VI	Shut-Off Washer	\$9.61
10	CP38725-SS	Phillips Head Screw	\$2.59
11	CP36303-PP	Body, Polypropylene	\$22.03
12	CP36309-302SS	Retaining Clip, S.S.	\$4.31
13	8400-1/4-PPB	Pipe Plug (NPT)	\$1.99
PK-AB6B-KIT Spare Parts Kit (Includes all items marked *)			\$28.62



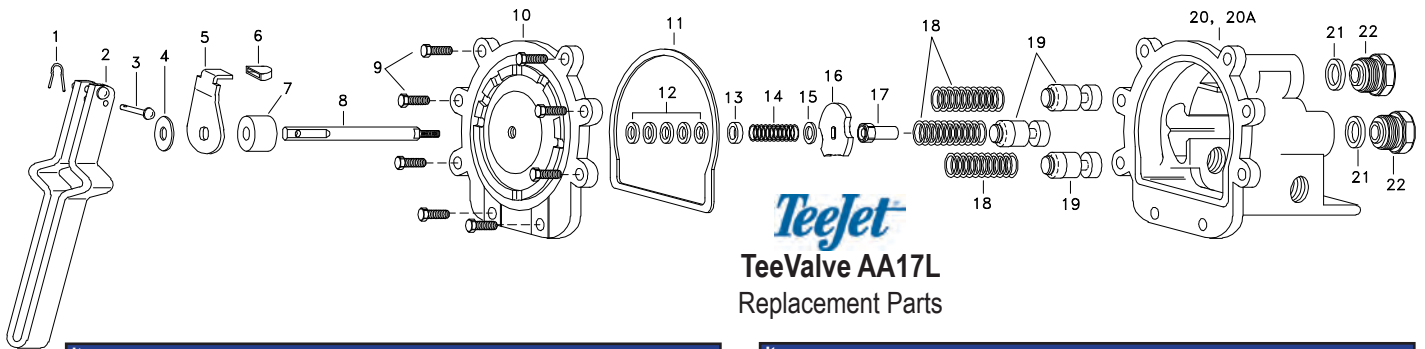
TeeValve® Control Valves



Model AA17L For Selective Control of Three-Section Boom Sprayers at Pressures up to 300 PSI.

- Use to open any of three boom sections lines in any desired combination.
- Raise lever to open, lower lever to close the valve without changing the indexed position.
- Aluminum construction with stainless steel and plastic internal parts for maximum corrosion resistance.
- 3/4" Inlet/Outlet, 3 Boom Outlet & Accessory Outlet

Part#	Description	Price
AA17L	Manual Control Valve	\$173.11



TeeValve AA17L Replacement Parts

Item No.	Part No.	Description	Price
*1	CP8012-1/2-SS	1/16" x 1/2" Cotter Pin	\$2.09
2	CP6849-1-I-ZP	Handle and Rivet Sub-Asb	\$12.26
*3	CP7206-I-ZP	Rivet, Steel, Zinc Plated	\$7.31
*4	CP6976-I-ZP	Handle Washer, Steel, Zinc Plated	\$5.23
5	CP12128-I-ZP	Selector Shield, Steel, Zinc Plated	\$8.10
*6	CP12127-CE	Selector Shield Tip, Celcon	\$5.38
7	CP12129-CE	Spacer, Celcon	\$7.23
8	CP6972-SS	Main Stem, Stainless Steel	\$14.44
*9	CP20607-I-ZP	Hex Head Screw (1/4-20x3/4) (8 Req'd)	\$3.01
10	CP12126-AL	Cover Plate, Aluminum	\$67.58
*11	CP6975-BU	Gasket, Buna-N	\$11.67
*12	CP5809-LEA	Packing, Thermo-Leather (5 Req'd)	\$2.09

Item No.	Part No.	Description	Price
13	CP12130-SS	Packing Gland, Stainless Steel	\$10.36
14	CP7254-SS	Main Spring, Stainless Steel	N/A
15	CP7987-SS	Washer, Stainless Steel	N/A
16	CP6971-AL	Selector Cam, Aluminum	\$5.86
17	CP6973-SS	Guide Nut, Stainless Steel	N/A
18	CP6959-SS	Valve Spring, Stainless Steel (3 Req'd)	\$4.39
19	CP6956-CE	Valve Stem, Celcon (3 Req'd)	\$5.41
20	CP6934-3/4-AL	Body, Aluminum (For AA17L)	\$78.72
*21	CP6958-POL	Seat Plate, Polyethylene (3 Req'd)	\$8.95
22	CP7902-AL	Outlet Adapter, Aluminum (3 Req'd)	\$13.13
PK-AB17-KIT Spare Parts Kit (Includes all items marked with *)			\$48.06

MANUAL PRESSURE RELIEF/REGULATING VALVES

DirectoValve®

Piston-Type Pressure Relief/Regulating Valves Bypasses excess liquid. Adjustable to maintain control of line pressure at any pressure within the valve's operating range. Selected pressure setting firmly held in place by locknut. Extra large valve passages to handle large flows.



Model 23120

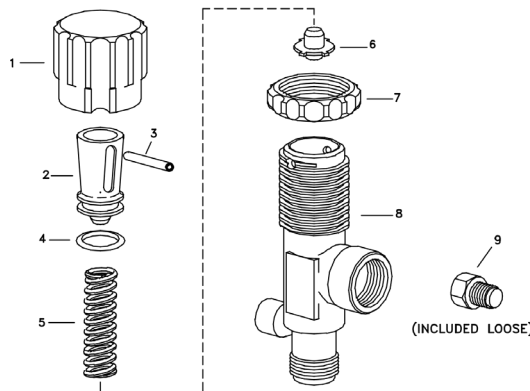
- 302 stainless steel spring and EPDM O-ring
- Excellent chemical resistance.
- 1/4" port for pressure gauge pipe plug included.

MODEL 23120

PART NO.	DESCRIPTION	PRESSURE RANGE	LIST PRICE
23120-1/2-PP	1/2" Inlet/Outlet • Polypropylene	150 PSI	\$46.17
23120-3/4-PP	3/4" Inlet/Outlet • Polypropylene	150 PSI	\$46.17
PK-AB23120-KIT	Repair Kit		\$22.79

REPLACEMENT PARTS

ITEM	PART NO.	DESCRIPTION	LIST PRICE
1	CP23122-NY	Adjusting Cap, Nylon	\$14.79
2	CP23124-PP	Spring Retainer, Polypropylene	\$7.52
3*	CP23126-302SS	Retaining Pin, Type 302 Stainless Steel	\$4.67
4*	CP7717-15-EPR	O'ring, EPDM Rubber	\$4.41
5*	CP23127-302SS	Spring, Type 302 Stainless Steel	\$10.60
6	CP23125-PP	Guide Seat, Polypropylene	\$5.82
7	CP23123-PP	Lockring, Polypropylene	\$7.93
8	CP23128-PP	Body, Polypropylene for 23120-1/2-PP	\$27.82
8	CP23121-PP	Body, Polypropylene for 23120-3/4-PP	\$27.82
9	F1400	Pipe Plug for Gauge Port	\$9.94
*	PK-AB23120-KIT	Spare Parts Kit (Includes all items marked with *)	\$22.79



Model 6815

- Available with pressure ratings 50, 300 or 700 PSI
- Other models for high pressures up to 1,200 PSI are also available
- Brass also available with hardened stainless steel seat
- * Specify PSI when ordering

MODEL 6815

PART NO.	DESCRIPTION	PRESSURE RANGE	LIST PRICE
6815-1/2-50	1/2" Inlet/Outlet • Brass	50 PSI	\$98.34
6815-1/2-300	1/2" Inlet/Outlet • Brass	300 PSI	\$98.34
6815-1/2-700	1/2" Inlet/Outlet • Brass	700 PSI	\$98.34
6815-3/4-50	3/4" Inlet/Outlet • Brass	50 PSI	\$98.34
6815-3/4-300	3/4" Inlet/Outlet • Brass	300 PSI	\$98.34
6815-3/4-700	3/4" Inlet/Outlet • Brass	700 PSI	\$98.34
PK-AB6815-300-KIT	Repair Kit		\$21.42



Model 110

- Removable bonnet for servicing unit without removing valve from line
- Available in multiple sizes and pressure ranges



MODEL 110

PART NO.	DESCRIPTION	PRESSURE RANGE	LIST PRICE
AA110-1/4-50	1/4" Inlet/Outlet • Brass	50 PSI	\$74.03
AA110-1/4-150	1/4" Inlet/Outlet • Brass	150 PSI	\$74.03
AA110-1/4-300	1/4" Inlet/Outlet • Brass	300 PSI	\$74.03
AA110-1/4-700	1/4" Inlet/Outlet • Brass	700 PSI	\$74.03
AA110-3/8-50	3/8" Inlet/Outlet • Brass	50 PSI	\$74.03
AA110-3/8-150	3/8" Inlet/Outlet • Brass	150 PSI	\$74.03
AA110-3/8-300	3/8" Inlet/Outlet • Brass	300 PSI	\$74.03
AA110-3/8-700	3/8" Inlet/Outlet • Brass	700 PSI	\$74.03
AA110-1	1 1/4" Inlet/Outlet • Brass	150 PSI	\$327.55
AA110-1-AL	1 1/4" Inlet/Outlet • Brass	150 PSI	\$210.44
AA110-1-1/4	1 1/2" Inlet/Outlet • Brass	150 PSI	\$336.48
AA110-1-1/4-AL	1 1/4" Inlet/Outlet • Brass	150 PSI	\$228.09
AA110-1-1/2	1 1/2" Inlet/Outlet • Brass	150 PSI	\$336.48
AA110-1-1/2-AL	1 1/2" Inlet/Outlet • Brass	150 PSI	\$228.09



Model 8460

- Flow rate to 56 GPM for 1/2" and 70 GPM for 3/4"
- 8460-*-50 uses stainless steel springs with 8460-*
- * uses steel springs - responsive to pressure range of each valve.
- Extra large valve passages to handle full flow from supply line.
- Positive locknut to hold adjustment screw firmly in place. Not affected by jarring and vibration.

MODEL 8460 DIAPHRAGM-TYPE

PART NO.	DESCRIPTION	PRESSURE RANGE	LIST PRICE
8460-1/2-50	1/2" Inlet/Outlet • Nylon/Aluminum	50 PSI	\$84.74
8460-1/2	1/2" Inlet/Outlet • Nylon/Aluminum	300 PSI	\$84.74
8460-3/4-50	3/4" Inlet/Outlet • Nylon/Aluminum	50 PSI	\$84.74
8460-3/4	3/4" Inlet/Outlet • Nylon/Aluminum	300 PSI	\$84.74
PK-AB8460-KIT	Repair Kit		\$30.60