

HYPRO®

PUMPS

BIG TWIN PISTON PUMPS • Series 5206 & 5210

Features:

- Port size: 3/4" NPT
- Max. fluid temperature: 140°F
- Pump Shaft Rotation: bi-rotational
- Cups: Leather standard (fabric-reinforced (F) and Buna-N (R) available)
- Recommended to be used with Pulsation Dampener 3375-0017-2
- Weight: 18 lbs



Features:

- Port size: 3/4" NPT
- Max. fluid temperature: 140°F
- Pump Shaft Rotation: bi-rotational
- Cups: Leather standard (fabric-reinforced (F) and Buna-N (R) available)
- Recommended to be used with Pulsation Dampener 3375-0015-2
- Weight: 18 lbs



SERIES 5206 PISTON PUMP

PART NO.	MAX GPM	MAX PSI	MAX RPM	CUPS	SHAFT OUTPUT	LIST PRICE
5206C	8	400	800	Leather	1" Solid Shaft	\$1,168.89
5206C-F	8	400	800	Fabric	1" Solid Shaft	\$1,165.79
5206C-FL	8	400	800	Fabric	1" Solid Shaft	\$1,188.72
5206C-R	8	400	800	Buna-N	1" Solid Shaft	\$1,165.39
5206C-H	8	400	800	Leather	1-3/8" Hollow Shaft	\$1,168.89
5206C-FH	8	400	800	Fabric	1-3/8" Hollow Shaft	\$1,165.39

SERIES 5210 PISTON PUMP

PART NO.	MAX GPM	MAX PSI	MAX RPM	CUPS	SHAFT OUTPUT	LIST PRICE
5210C	10	400	600	Leather	1" Solid Shaft	\$1,168.89
5210C-F	10	400	600	Fabric	1" Solid Shaft	\$1,165.39
5210C-R	10	400	600	Buna-N	1" Solid Shaft	\$1,165.39
5210C-H	10	400	600	Leather	1-3/8" Hollow Shaft	\$1,168.89
5210C-HR	10	400	600	Buna-N	1-3/8" Hollow Shaft	\$1,188.72
5210C-FH	10	400	600	Fabric	1-3/8" Hollow Shaft	\$1,188.72

5206 PERFORMANCE CHART

Pressure in PSI	@400 RPM		@500 RPM		@540 RPM		@600 RPM		@700 RPM		@840 RPM	
	GPM	HP	GPM	HP	GPM	HP	GPM	HP	GPM	HP	GPM	HP
25	3.9	.26	4.9	.29	5.4	.31	6.0	.34	7.0	.40	8.0	.46
100	3.9	.40	5.0	.46	5.4	.50	6.0	.56	7.0	.65	7.9	.74
200	4.0	.66	5.0	.75	5.4	.81	6.0	.90	6.9	1.1	7.8	1.2
300	3.9	.89	5.0	1.1	5.3	1.2	5.9	1.3	6.9	1.5	7.7	1.7
400	3.9	1.1	4.9	1.4	5.3	1.5	5.9	1.6	6.9	1.9	7.7	2.2

5210 PERFORMANCE CHART

Pressure in PSI	@400 RPM		@500 RPM		@540 RPM		@600 RPM	
	GPM	HP	GPM	HP	GPM	HP	GPM	HP
25	7.3	.39	8.9	.57	9.4	.66	10.0	.73
100	7.3	.69	8.9	.87	9.4	.94	9.9	1.10
200	7.2	1.2	8.8	1.5	9.3	1.6	9.9	1.7
300	7.2	1.7	8.8	2.0	9.3	2.2	9.8	2.3
400	7.2	2.1	8.7	2.6	9.2	2.7	9.8	3.0

PISTON STACK PARTS KIT

PART NO.	DESCRIPTION	LIST PRICE
3430-0037	Leather Cup Kit. Consists of two each of the following parts: No.2220-0013 Piston Cap Screw (Ref. 6A), No. 2270-0012 Washer (Ref. 6B), No. 1720-0030 O-Ring (Ref. 6C), No. 2150-0001 Leather Cup (Ref. 6D), No. 1720-0065 O-Ring (Ref. 6E) and No. 1440-0012 Seal Ring (Ref. 6F).	\$64.24
3430-0039	Same as Leather Cup Kit except with two No. 2150-0012 Fabric Cups	\$119.91
3430-0189	Same as Leather Cup Kit except with two No. 2150-0042 Rubber Cups	\$101.46

CRANKSHAFT ASSEMBLIES

SUB-ASSEMBLIES Include Grease Fitting (Ref. 12), Crankshaft with cam bearing (Ref. 13 or 14) and Crankpin Retainer (Ref. 16).

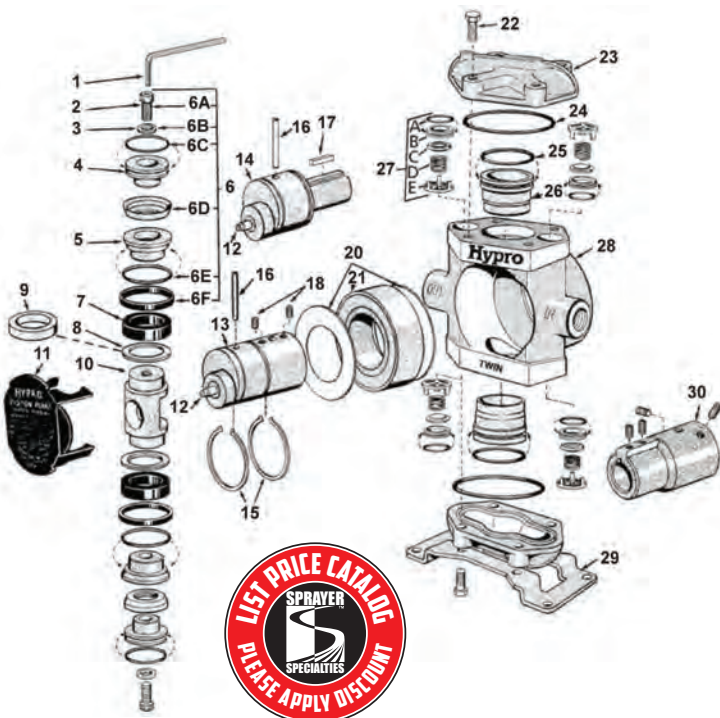
COMPLETE ASSEMBLIES Include Sub-Assembly components plus Retaining Rings (Ref. 15), slinger rings (Ref. 20) and Bearing (Ref. 21).

with 1-3/8" Hollow PTO Shaft (Ref.13)

PUMP MODEL	SUB-ASSEM PART NO	LIST PRICE	PUMP MODEL	PUMP ASSEMBLY	LIST PRICE
5206C-H	5503-5206	\$653.56	5206C-H	5501-5206	\$836.71
5210C-H	5503-5210	\$412.43	5210C-H	5501-5206	\$836.71

with 1" Solid Shaft (Ref.14)

PUMP MODEL	SUB-ASSEM PART NO	LIST PRICE	PUMP MODEL	PUMP ASSEMBLY	LIST PRICE
5206C-H	5003-5206	\$457.23	5206C-H	5001-5206	\$639.06
5210C-H	5003-5210	\$403.20	5210C-H	5001-5210	\$588.99



REF NO.	QTY REQ'D	PART NO.	DESCRIPTION	LIST PRICE
1	1	3020-0008	Allen Wrench (Optional)	\$1.10
2	2	2220-0013	Piston Cap Screw	\$2.36
3	2	2270-0012	Washer	\$1.33
4	2	1830-0039	Piston Cup Spreader	\$34.68
5	2	1410-0054	Cup Backing Plate	\$44.47
6	1	3430-0037	Piston Stack Parts Kit (Leather)(Standard)	\$64.24
6	1	3430-0039	Piston Stack Parts Kit (Fabric)(5200-F)	\$119.91
6	1	3430-0189	Piston Stack Parts Kit (Buna-N)(5200-R)	\$101.46
7	2	1440-0005	Piston Guide	N/A
8	2	1410-0018	Support Ring for 5210 Models Only	\$3.09
9	2	1410-0020	Support Ring for 5206 Models Only	\$30.07
10	1	0503-5200	Connecting Rod	\$172.61
11	1	0602-5200	Safety Cover	\$8.26
12	1	2405-0006A	Grease Fitting Assembly	\$17.71
13	1	See Listing	Crankshaft (Hollow Shaft Models)	N/A
14	1	See Listing	Crankshaft (Solid Shaft Models)	N/A
15	2	1810-0001	Retainer Ring	\$2.29

REF NO.	QTY REQ'D	PART NO.	DESCRIPTION	LIST PRICE
16	1	1600-0013	Crankpin Retainer	\$1.41
17	1	1610-0005	Key (Solid Shaft Models)	\$2.28
18	2	2230-0003	Set Screw	\$1.28
20	2	1410-0006	Slinger Ring	\$4.05
21	1	2005-0006	Main Bearing	\$179.20
22	8	2210-0062	Cylinder Head Bolt	\$1.41
23	2	0203-5200CB	Cylinder Head	\$103.77
24	2	1720-0028	O-ring - for cylinder head	\$2.23
25	2	1720-0019	O-ring - for cylinder sleeve	\$1.33
26	2	3550-0007	Cylinder Sleeve	\$189.74
27	4	3400-0038	Valve Assembly - Consists of: O-ring (Ref. A), Valve Seat (Ref. B), Valve Poppet (Ref. C), Valve Spring (Ref. D) and Valve Spring Retainer (Ref. E)	\$37.27
28	1	0100-5200C	Body	\$334.68
29	1	1510-0024	Base	\$39.48
30	1	1320-0081	Adapter-Adapts 1" solid shaft to 1-3/8" 6-spline PTO hollow shaft (includes set screws)	\$108.05

HYPRO®

SMALL TWIN PISTON PUMPS • Series 5320C

Features:

- Port size: 1/2" NPT
- Max. fluid temperature: 180°F
- Pump Shaft Rotation: bi-rotational
- Injector head available 3396-0006
- Models 5321 and 5322 require a pulsation dampener (such as 3375-0012 pulse hose) on the discharge side
- Weight: 11 lbs



Features:

- Port size: 1/2" NPT
- Max. fluid temperature: 140°F
- Pump Shaft Rotation: bi-rotational
- Cups: Buna-N standard
- Model 5324 requires a pulsation dampener (such as 3375-0012 pulse hose) on the discharge side
- Injector head available 3396-0006
- Weight: 11 lbs



SERIES 5320C PISTON PUMP

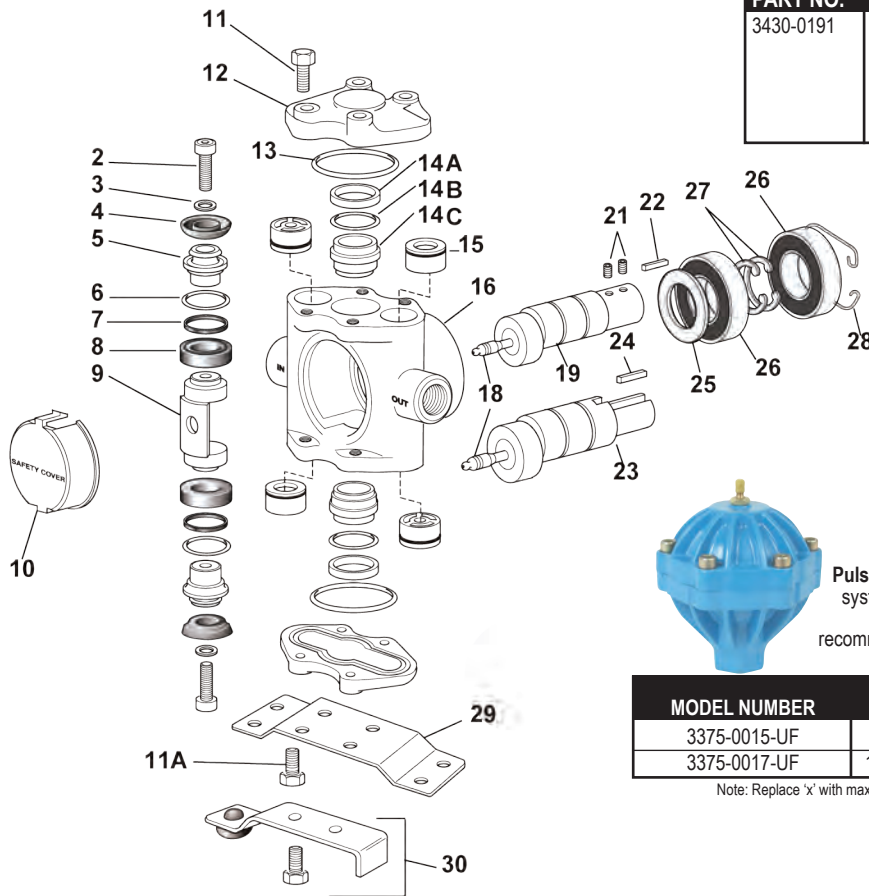
PART NO.	MAX GPM	MAX PSI	MAX RPM	SHAFT OUTPUT	LIST PRICE
5321C	2.2	1000	1800	5/8" OD Solid Shaft	\$718.60
5322C	2.2	1000	1800	5/8" OD Solid Shaft	\$718.60
5321C-H	2.2	1000	1800	5/8" ID Hollow Shaft	\$704.60
5322C-H	2.2	1000	1800	5/8" ID Hollow Shaft	\$704.60

SERIES 5324C PISTON PUMP

PART NO.	MAX GPM	MAX PSI	MAX RPM	CUPS	SHAFT OUTPUT	LIST PRICE
5324C	2.9	800	1800	Buna-N	5/8" OD Solid Shaft	\$704.60
5324C-H	2.9	800	1800	Buna-N	5/8" ID Hollow Shaft	\$718.60

PISTON PARTS KIT

PART NO.	DESCRIPTION	LIST PRICE
3430-0191	Piston Stack Parts Kit. Consists of two each of the following parts: No. 2220-0012 Cap Screw (Ref. 2), No. 2270-0011 Washer (Ref. 3), No. 2150-0047 Cup (Ref. 4), No. 1720-0029 O-ring (Ref. 6), No. 1440-0059 Seal Ring (Ref. 7) and No. 1440-0060 Guide (Ref. 8).	\$138.35



Pulsation Dampeners These quality-built pulsation dampeners protect your system from damage due to pulsation and vibration. Choose the size and capacity that meets your system's needs. In most applications, the recommended dampener charge is 1/2 of the operating pressure with a 2-piston pump and 2/3 of the operating pressure with a 3-piston pump.

MODEL NUMBER	INLET	CHARGE PSI	MAX GPM	FOR MODELS	LIST PRICE
3375-0015-UF	1" (F)NPT	200-1000	35	2500 Series	\$737.89
3375-0017-UF	1/2" (F)NPT	200-1000	6	2000 Series	\$463.82

Note: Replace 'x' with maximum charge designation; Example: 3375-0015-8 = 800 psi, 3375-0017-7 = 700 psi
Available in 100 psi increments from 200 psi to 1000 psi

REF NO.	QTY REQ'D	PART NO.	DESCRIPTION	LIST PRICE
2	2	2220-0012	Piston Cap Screw	\$1.53
3	2	2270-0011	Washer	\$1.41
4	2	2150-0047	Cup	\$12.54
5	2	1830-0092	Cup Holder	\$17.09
6	2	1720-0029	O-ring	\$1.33
7	2	1440-0059	Seal Ring	\$13.30
8	2	1440-0060	Guide	\$46.45
9	1	0500-5324	Connecting Rod	\$173.93
10	1	0608-5300	Safety Cover	\$3.33
11	*	2210-0063	Head Bolt	\$1.53
11A	4	2210-0064	Head Bolt	\$1.53
12	2	0201-5300CK	Cylinder Head (Cast-Iron)	\$52.38
13	2	1720-0038	O-ring	\$1.53
14	1	3430-0210	Ni-Resist Cylinder Sleeve Assembly	N/A
14A	2	1830-0033	Retainer	N/A
14B	1	1720-0079	O-ring	\$1.33
14C	1	3550-0028	Sleeve	\$78.40

REF NO.	QTY REQ'D	PART NO.	DESCRIPTION	LIST PRICE
15	1 set	3430-0197	Valve Assemblies	\$71.48
16	1	0108-5300C	Body (Cast Iron)	\$173.93
18	1	2405-0006A	Grease Fitting	\$17.71
19	1	5501-5321	Hollow Shaft	\$179.20
21	2	2230-0017	Set Screw for Hollow Shaft Pump	\$2.29
22	1	1610-0011	Key for Hollow Shaft Pump	\$2.23
23	1	0500-5321	Solid Shaft Sub-Assembly	N/A
24	1	1610-0007	Key for Solid Shaft Pump	\$1.53
25	1	2130-0007	Shield	\$2.23
26	2	2008-0001	Bearing	\$21.18
27	2	1810-0013	Retaining Ring (shaft)	\$1.33
28	1	1820-0025	Retaining Ring (housing)	\$5.36
29	1	1510-0041	Mounting Base for Solid Shaft Pump	\$34.68
30	1	3420-0030	Torque Arm Kit	N/A



Features:

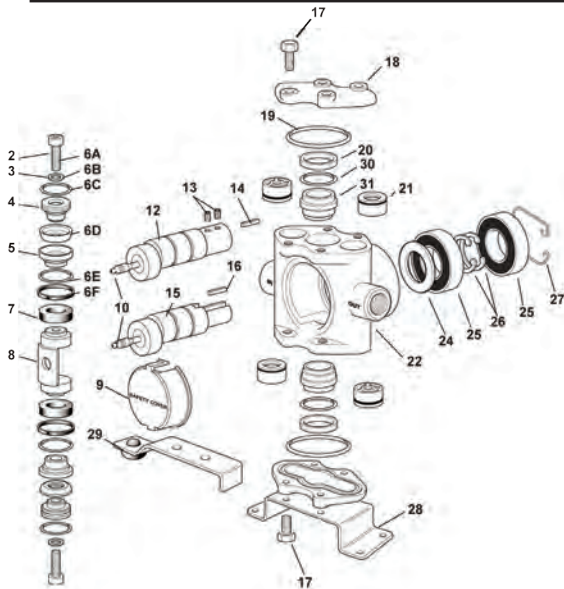
- Port size: 1/2" inlet, 1/2" outlet
- Max. fluid temperature: 140°F
- Pump Shaft Rotation: bi-rotational
- Cups: Leather (-X) standard for 5300 Series (Buna-N (-RX), Teflon® (-CX) available)
- Models require a pulsation dampener (such as a 3375-0012 pulse hose) on the discharge side
- Injector head available (sold separately part number 3396-0014)
- Weight: 10 lbs

PART NO.	MAX GPM	MAX PSI	MAX RPM	CUPS	SHAFT OUTPUT	LIST PRICE
5315C-X	1.5	500	1800	Leather	5/8" OD Solid Shaft	\$669.61
5315C-RX	1.5	500	1800	Buna-N	5/8" OD Solid Shaft	\$669.61
5315C-CX	1.5	500	1800	Teflon®	5/8" OD Solid Shaft	\$701.10
5320C-X	2.2	500	1800	Leather	5/8" OD Solid Shaft	\$669.61
5320C-RX	2.2	500	1800	Buna-N	5/8" OD Solid Shaft	\$657.94
5320C-CX	2.2	500	1800	Teflon®	5/8" OD Solid Shaft	\$713.93
5325C-X	2.5	500	1800	Leather	5/8" OD Solid Shaft	\$715.10
5325C-RX	2.5	500	1800	Buna-N	5/8" OD Solid Shaft	\$734.93
5325C-CX	2.5	500	1800	Teflon®	5/8" OD Solid Shaft	\$748.93
5330C-X	3	500	1800	Leather	5/8" OD Solid Shaft	\$669.61
5330C-RX	3	500	1800	Buna-N	5/8" OD Solid Shaft	\$669.61
5330C-CX	3	500	1800	Teflon®	5/8" OD Solid Shaft	\$713.93

PART NO.	MAX GPM	MAX PSI	MAX RPM	CUPS	SHAFT OUTPUT	LIST PRICE
5315C-HX	1.5	500	1800	Leather	5/8" ID Hollow Shaft	\$657.94
5315C-HRX	1.5	500	1800	Buna-N	5/8" ID Hollow Shaft	\$657.94
5315C-CHX	1.5	500	1800	Teflon®	5/8" ID Hollow Shaft	\$713.93
5320C-HX	2.2	500	1800	Leather	5/8" ID Hollow Shaft	\$657.94
5320C-HRX	2.2	500	1800	Buna-N	5/8" ID Hollow Shaft	\$657.94
5320C-CHX	2.2	500	1800	Teflon®	5/8" ID Hollow Shaft	\$713.93
5325C-HX	2.5	500	1800	Leather	5/8" ID Hollow Shaft	\$657.94
5325C-HRX	2.5	500	1800	Buna-N	5/8" ID Hollow Shaft	\$669.61
5330C-HX	3	500	1800	Leather	5/8" ID Hollow Shaft	\$669.61
5330C-HRX	3	500	1800	Buna-N	5/8" ID Hollow Shaft	\$657.94
5330C-CHX	3	500	1800	Teflon®	5/8" ID Hollow Shaft	\$713.93

PERFORMANCE CHART

Pressure in PSI	5315		5320		5325		5330	
	@1725 RPM GPM	HP	@1725 RPM GPM	HP	@1725 RPM GPM	HP	@1725 RPM GPM	HP
50	1.56	.12	2.22	.21	2.56	.25	3.02	.37
100	1.52	.15	2.18	.28	2.54	.37	3.01	.49
200	1.50	.28	2.16	.43	2.52	.52	3.00	.74
300	1.47	.35	2.12	.57	2.50	.68	2.98	.92
400	1.45	.43	2.11	.71	2.10	.82	2.96	1.11
500	1.44	.56	2.10	.83	2.44	.96	2.94	1.23



PISTON STACK PARTS KIT

PART NO.	DESCRIPTION	LIST PRICE
3430-0007	Leather Cup Kit. Consists of two each of the following parts: No. 2220-0012 Piston Cap Screw (Ref. 6A), No. 2270-0011 Washer (Ref. 6B), No. 1720-0029 O-ring (Ref. 6C), No. 2150-0002 Leather Cup (Ref. 6D), No. 1720-0039 O-Ring (Ref. 6E), and No. 1440-0008 Seal Ring (Ref.6F).	\$35.06
3430-0009	Same as Leather Cup Kit except with No. 2150-0005 Rubber Cups	\$28.77

PISTON STACK & GUIDE PARTS KIT

PART NO.	DESCRIPTION	LIST PRICE
3430-0008	Leather Cup & Guide Kit. Consists of Leather Cup Kit No. 3430-0007 plus two No. 1440-0004 Piston Guides (Ref. 7)	\$53.04
3430-0010	Rubber Cup & Guide Kit. Consists of Rubber Cup Kit No. 3430-0009 plus two No. 1440-0004 Piston Guides (Ref. 7)	\$46.12
3430-0046	Teflon® Cup & Guide Kit. Consists of Teflon® Cup Stack Kit plus two Piston Guides	\$95.20

REF NO.	QTY REQ'D	PART NO.	DESCRIPTION	LIST PRICE
2	2	2220-0012	Piston Cap Screw	\$1.53
3	2	2270-0011	Washer	\$1.41
4	2	1830-0017	Piston Cup Spreader	\$5.75
5	2	1410-0030	Cup Backing Plate	\$6.93
6	1	-	Piston Stack Parts Kit (see listing above)	N/A
7	2	1440-0004	Piston Guide	\$8.79
8	1	0502-5300	Connecting Rod	\$92.24
9	1	0608-5300	Safety Cover	\$3.33
10	1	2405-0006A	Grease Fitting Assembly	\$17.71
12A	1	5501-5315	Pump 5315C-H Hollow Shaft with 5/8" (I.D.)	\$189.74
12B	1	5501-5320	Pump 5320C-H Hollow Shaft with 5/8" (I.D.)	\$177.88
12C	1	5501-5325	Pump 5325C-H Hollow Shaft with 5/8" (I.D.)	\$217.41
12D	1	5501-5330	Pump 5330C-H Hollow Shaft with 5/8" (I.D.)	\$214.78
12E	1	5500-5315	Pump 5315C-H Hollow Shaft with 5/8" (I.D.)	\$272.75
12F	1	5500-5320	Pump 5320C-H Hollow Shaft with 5/8" (I.D.)	\$272.75
12G	1	5500-5325	Pump 5325C-H Hollow Shaft with 5/8" (I.D.)	\$272.75
12H	1	5500-5330	Pump 5330C-H Hollow Shaft with 5/8" (I.D.)	\$272.75
13	2	2230-0017	Set Screw for Hollow Shaft	\$2.29
14	1	1610-0011	Spline Key for Hollow Shaft	\$2.23

REF NO.	QTY REQ'D	PART NO.	DESCRIPTION	LIST PRICE
15A	1	5001-5315	Pump 5315C Solid Shaft with 5/8" (O.D.)	\$270.12
15A	1	5001-5320	Pump 5320C Solid Shaft with 5/8" (O.D.)	\$358.40
15A	1	5001-5330	Pump 5330C Solid Shaft with 5/8" (O.D.)	\$251.67
15A	1	5000-5315	Pump 5315C Solid Shaft with 5/8" (O.D.)	\$313.60
15A	1	5000-5320	Pump 5320C Solid Shaft with 5/8" (O.D.)	\$416.38
15A	1	5000-5330	Pump 5330C Solid Shaft with 5/8" (O.D.)	\$307.01
16	1	1610-0007	Spline Key for Solid Shaft	\$1.53
17	8	2210-0062	Cylinder Head Bolt	\$1.41
18	2	0204-5300CK	Cylinder Head (Cast Iron)	\$49.74
19	2	1720-0038	O-ring for Cylinder Head	\$1.53
20	1	3430-0209	Sleeve Assembly	\$137.04
21	1 set	3430-0197	Valve Assemblies	\$71.48
22	1	0108-5300C	Body (Cast Iron)	\$173.93
24	1	2130-0007	Bearing Shield	\$2.23
25	2	2008-0001	Main Bearing (Ball Bearing)	\$21.18
26	2	1810-0013	Bearing Retainer Ring (shaft)	\$1.33
27	1	1820-0025	Bearing Retainer Ring (housing)	\$5.36
28	1	1510-0056	Mounting Base	\$16.98
29	1	2820-0040	Torque Arm - for Electric Motor Mounting	\$23.60
30/31	1	3430-0209	Ni-Resist Sleeve Kit	\$137.04