

HYPRO®

GEAR DRIVEN CENTRIFUGAL PUMPS

Series 900C-O

Features:

- Planetary oil-bath gear drive
- Port sizes: 1-1/2" NPT inlet, 1-1/4" NPT outlet
- Max. fluid temperature: 140°F / 60° C
- Housing: Cast Iron
- Impeller: Nylon
- Pump shaft rotation: Counter clockwise when looking at the shaft end
- Pump seals: Viton® / ceramic standard; Life Guard silicon carbide (B) available.
- Weight: 44 lbs.



Cast Iron Gear Driven Centrifugal Pumps

PART NUMBER	MAX GPM	MAX PSI	MAX RPM	PORT SIZES	PUMP SEALS	PTO OUTPUT	LIST PRICE
9006C-O	117	78	600	1-1/2" FPT Inlet x 1-1/4" FPT Outlet	Viton® / Ceramic	1 3/8" 6 spline 540 rpm female	\$1,600.30
9006C-O-B	117	78	600	1-1/2" FPT Inlet x 1-1/4" FPT Outlet	Life Guard Silicon Carbide	1 3/8" 6 spline 540 rpm female	\$1,751.66
9008C-O	110	75	1000	1-1/2" FPT Inlet x 1-1/4" FPT Outlet	Viton® / Ceramic	1 3/8" 21 spline 1000 rpm female	\$1,700.82
9016C-O	117	78	600	1-1/2" FPT Inlet x 1-1/4" FPT Outlet	Viton® / Ceramic	1" solid shaft	\$1,580.66
9016C-O-U	117	78	600	220 x 200 Universal Flange	Viton® / Ceramic	1" solid shaft	\$1,645.36
9018C-O	110	75	1000	1-1/2" FPT Inlet x 1-1/4" FPT Outlet	Viton® / Ceramic	1" solid shaft	\$1,673.09
9018C-O-U	110	75	1000	220 x 200 Universal Flange	Viton® / Ceramic	1" solid shaft	\$1,736.64
9028C-O	110	75	1000	1-1/2" FPT Inlet x 1-1/4" FPT Outlet	Viton® / Ceramic	1 3/4" 20 spline 1000 rpm	\$1,973.51

Seal and O-Ring Kits

PART NUMBER	DESCRIPTION	LIST PRICE
3430-0334	Seal and o-ring repair kit (Viton® / Ceramic)	\$71.15
3430-0591	Life Guard silicon carbide seal kit	\$320.19

9006C-O, 9016C-O

RPM	GPM at 20 PSI	GPM at 30 PSI	GPM at 40 PSI	GPM at 50 PSI	GPM at 60 PSI	GPM at 70 PSI
500	97	86	71	47		
540	106	96	87	70	47	
600	117	113	104	96	82	63

9008C-O, 9018C-O, 9028C-O

RPM	GPM at 20 PSI	GPM at 30 PSI	GPM at 40 PSI	GPM at 50 PSI	GPM at 60 PSI	GPM at 70 PSI
800	82	70	53			
900	96	88	76	60	24	
1000	110	102	96	86	70	46

HYPRO®



Features:

- Planetary oil-bath gear drive
- Port sizes: 1-1/2" NPT inlet, 1-1/4" NPT outlet
- Max. fluid temperature: 140°F / 60° C
- Housing: Cast Iron • Impeller: Nylon
- Pump shaft rotation: Counter clockwise when looking at the shaft end
- Pump seals: Viton® / ceramic standard
- Weight: 62 lbs.

GEAR DRIVEN CENTRIFUGAL PUMPS

Series 900C-O-SP



Cast Iron Gear Driven Centrifugal Pumps

PART NUMBER	MAX GPM	MAX PSI	MAX RPM	PORT SIZES	PUMP SEALS	PTO OUTPUT	LIST PRICE
9006C-O-SP	119	77	600	1-1/2" FPT Inlet x 1-1/4" FPT Outlet	Viton® / Ceramic	1 3/8" 6 spline 540 rpm female	\$2,145.67
9016C-O-SP	119	77	600	1-1/2" FPT Inlet x 1-1/4" FPT Outlet	Viton® / Ceramic	1" solid shaft	\$2,123.72
9028C-O-SP	117	69	1000	1-1/2" FPT Inlet x 1-1/4" FPT Outlet	Viton® / Ceramic	1 3/4" 20 spline 1000 rpm	\$2,518.88

Seal and O-Ring Kits / Chamber Kits

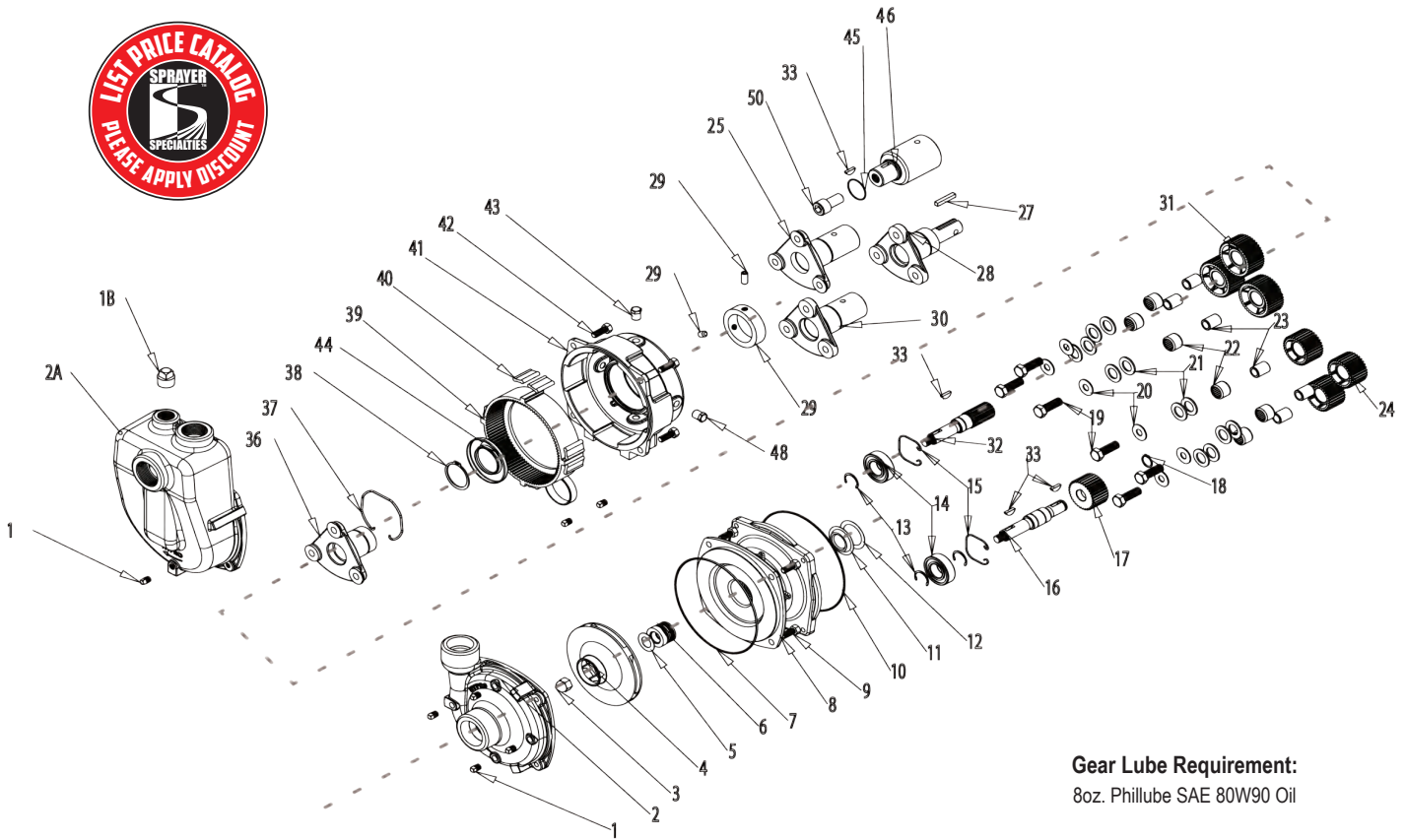
PART NUMBER	DESCRIPTION	LIST PRICE
3430-0334	Seal and o-ring repair kit (Viton® / Ceramic)	\$71.15
3430-0591	Life Guard silicon carbide seal kit	\$320.19
3430-0480SP	Self priming chamber kit	\$484.90

9006C-O-SP, 9016C-O-SP

RPM	GPM at 10 PSI	GPM at 20 PSI	GPM at 30 PSI	GPM at 40 PSI	GPM at 50 PSI	GPM at 60 PSI	GPM at 70 PSI
500	101	95	77	51	12		
540	111	109	94	74	47	11	
600	119	118	112	97	79	54	23

9028C-O-SP

RPM	GPM at 10 PSI	GPM at 20 PSI	GPM at 30 PSI	GPM at 40 PSI	GPM at 50 PSI	GPM at 60 PSI
800	91	81	57	19		
940	105	101	84	60	25	
1000	117	114	104	87	65	33



Gear Lube Requirement:
8oz. Phillube SAE 80W90 Oil

PART NUMBER	DESCRIPTION	LIST PRICE
3430-0334	Standard Seal Kit Contains: (1) Gasket (Ref. 5), (1) mechanical seal (Ref. 6), (1) O-ring (Ref. 7)	\$71.15
3430-0591	Silicon Carbide Seal Kit Contains: (1) Silicon Carbide mechanical seal (Ref. 6), (1) O-ring (Ref. 7)	\$320.19

REF NO.	QTY REQ'D	PART NO.	DESCRIPTION	LIST PRICE
1	4	2406-0016	Drain Plug - Replaced 2406-0007	\$11.14
1B	1	2406-0001	Drain Plug	\$4.51
2	1	0150-9000C	Pump Casing (w/ SS wear ring)	\$317.56
2A	1	3430-0480SP	Pump Casing (Self-Priming Units)	\$484.90
3	1	2253-0001	Impeller Nut	\$8.86
4	1	0400-9000P	Impeller (Nylon)	\$76.42
5	1	1700-0101	Gasket	\$7.77
6	1	2120-0010	Mechanical Seal (Optional Buna-N)	\$44.14
6	1	3430-0334	Mechanical Seal (Standard Viton)(KIT)	\$71.15
7	1	1720-0083	O-Ring	\$4.71
8	1	0752-9000C	Mounting Flange Adapter	\$374.21
9	4	2210-0020	Hex Head Capscrew	\$1.28
10	1	1720-0139	O-Ring	\$4.57
11	1	2130-0018	Bearing Lip Seal	\$34.80
12	1	1700-0098	Gasket	\$1.38
13		1810-0013	Retaining Ring (1) required for 540 rpm, (2) required for 1-3/8" and (3) required for 1-3/4" 1000 rpm	\$1.33
14	1	2008-0001	Ball Bearing	\$21.18
15	1	1820-0025	Retaining Ring	\$5.36
15	3	2210-0046	Capscrew	\$5.45
16	1	0500-9002	Impeller Shaft (1000 rpm)	\$317.56
17	1	3900-0013	Sun Gear (1000 rpm)	\$262.21
18	1	1810-0011	Retaining Ring (1000 rpm)	\$1.74
19	3	2210-0046	Hex Head Capscrew	\$5.45
20	3	2270-0003	Washer	\$1.38
21	6	2265-0003	Thrust Washer	\$1.91
22	3	2007-0052	Bearing (included with driver gear)	\$13.78
23	3	2007-0022	Bearing Inner Race	\$8.62

REF NO.	QTY REQ'D	PART NO.	DESCRIPTION	LIST PRICE
24	3	3900-0040	Driver Gear w/ Bearing (1000 rpm) 39 teeth, Dia 2.6"	\$79.06
25	1	0562-9002D	Driver Hub (Model 9008C-O)	\$393.98
26	1	0501-9018D	Driver Hub (Model 9018C-O)	\$364.99
27	1	1610-0005	Key	\$2.28
28	1	0501-9016D	Driver Hub (Model 9016C-O)	\$291.20
29	1	3435-0058	Locking Collar Kit (hollow shaft)	\$68.19
30	1	0562-9000D	Driver Hub (Model 9006C-O)	\$276.71
31	3	3900-0039	Driver Gear w/ Bearing (540 rpm) 39 teeth, Dia 2.6"	\$53.04
32	1	3900-0010	Impeller Shaft/Pinion Gear (540 rpm)	\$276.71
33		1610-0012	Woodruff Key-(1) req'd for 540 (2) req'd for 1000 rpm	\$1.74
34	1	2220-0035	Capscrew (Model 9028C)	\$14.29
35	1	2403-0012	Bushing (Model 9028C)	\$62.26
36	1	0501-9018D1	Driver Hub (Model 9028C)	\$383.44
37	1	1800-0014	Retaining Ring	\$30.08
38	1	1810-0001	Retaining Ring	\$2.29
39	1	3900-0009	Ring Gear	\$110.12
40	8	1450-0004	Cushion Bumper	\$1.44
41	1	0754-9000C	Gear Casing	\$258.26
42	4	2210-0026	Hex Head Capscrew	\$1.41
43	1	2404-0193	Breather Vent	\$30.08
44	1	2102-0025	Oil Seal	\$21.40
45	1	1720-0022	O-Ring	\$1.33
46	1	0550-1322F4	Driver Hub (9028C-O) 1-3/4" Hub 20 Teeth	\$488.85
47	1	3430-0190	Locking Collar Kit (Model 9028C)	\$90.59
48	4	2406-0019	Oil Plug	\$2.32
49	1	1520-0034	Mounting Clip	\$109.37
50	1	2220-0035	Capscrew	\$14.29
	1	2005-0006	Bearing	\$179.20