

PART NO.	DESCRIPTION	LIST PRICE
3430-0476	Repair Kit For 540 RPM Drives consists of: (1) Poly V-Belt (Ref. 46), (1) O-ring (Ref. 5), (1) Mechanical Seal (Ref. 6), (1) Gasket (Ref. 17)	\$193.70

PART NO.	DESCRIPTION	LIST PRICE
3430-0477	Repair Kit For 1000 RPM Drives consists of: (1) Poly V-Belt (Ref. 46), (1) O-ring (Ref. 5), (1) Mechanical Seal (Ref. 6), (1) Gasket (Ref. 17)	\$180.52

PART NO.	DESCRIPTION	LIST PRICE
3430-0332	Mechanical Seal Kit Includes Items 5, 6 & 17	\$78.73
3430-0589	Silicon Carbide Seal Kit Includes Items 5 & 6	\$305.70

REF NO.	QTY REQ'D	PART NO.	DESCRIPTION	LIST PRICE
19	2	2001-0006	Driver Shaft Bearings	\$29.09
20	1	1810-0012	Driver Shaft Bearing Retainer Ring	\$2.67
21	1	1410-0094	Bearing Spacer	\$45.13
22	1	2840-0053	End Cap (label)	\$30.33
23	1	1820-0032	Bearing Bore Retaining ring	\$5.30
24	1	3115-0031	Driver Pulley (540 RPM)	\$442.73
24	1	3115-0032	Driver Pulley (1000 RPM)	\$391.34
24	1	3115-0033	Driver Pulley (1000 RPM, 1 3/4" Shaft)	\$508.62
25	1	1610-0033	Key (Driver Pulley)	\$10.66
25	1	1610-0034	Key (Driver Pulley, 1 3/4" Shaft)	\$2.98
26	1	1810-0031	Retaining Ring (Driver Pulley)	\$5.59
26	1	1810-0032	Retaining Ring (Dr. Pulley-1 3/4" Shaft)	\$12.61
27	1	0555-9400F1	Shaft - 540 RPM (3430-0207 kit used on 0555-9400F & 0556-9400F shafts)	\$541.56
27	1	0556-9400F	Shaft - 1000 RPM (3430-0207 kit used on 0555-9400F & 0556-9400F shafts)	\$686.50
27	1	0557-9400F	Shaft - 1 3/4" 1000 RPM (3430-0190 kit used on 0557-9400F shaft)	\$1,019.87
28	1	0555-9400F1	Shaft-540 Quick Coupler	\$541.56
28A	3	3250-0004	Locking Ball	\$1.70
28B	1	1900-0115	Collar Spring	\$26.90
28C	1	1400-0021	Collar	\$84.33
29	1	3430-0843	Shaft Kit (1" Solid) *REPLACES 0503-9400	\$254.31
30	1	3115-0034	Driven Pulley (5/8" Diameter Bore)	\$168.66
31	2	2230-0003	Set Screw for Driven Pulley	\$1.28
32	1	0706-9400C	Idler Bracket (Cast Iron Pumps)	\$127.48
33	1	2405-0003	Grease Zerk Fitting - Not Available	N/A
34	1	1810-0036	Retaining Ring (Idler Bracket, Cast Iron)	\$7.11
35	1	3115-0036	Idler Pulley	\$74.12
36	1	1410-0095	Spacer (Idler Pulley)	\$10.54
37	1	1820-0013	Retaining Ring (Idler Pulley)	\$1.66
38	1	1900-0156	Torsion Spring (Idler for Cast Iron)	\$23.57
39	1	2210-0111	Idler Bolt / Shaft	\$4.85
40	1	2840-0075	Belt Shield	\$38.81
41	1	2840-0076	Belt Shield	\$38.81
42	1	1520-0062	Bracket for Belt Shield	\$22.91
43	1	2210-0021	Attachment Bolt for Shield	\$1.30
44	4	2240-0017	Assembly Bolts for Shield	\$1.44
45	4	2252-0002	Assembly Nuts for Shield	\$1.38
46	1	3100-0006	Poly V-Belt (540 RPM)	\$115.29
46	1	3100-0005	Poly V-Belt (1000 RPM)	\$103.11
47	2	2210-0055	Bolts for Pump to Bracket	\$1.08
48	2	2260-0006	Lock Washers for Bracket Bolts	\$1.10
49	2	1600-0070	Roll Pin	\$1.30

REF NO.	QTY REQ'D	PART NO.	DESCRIPTION	LIST PRICE
1	4	2406-0016	Drain Plug - Replaced 2406-0007	\$11.54
2	1	0150-9000C	Pump Casing (Model 9403C)	\$317.56
2	1	0150-9000S1	Pump Casing (Model 9403S)	\$558.69
2	1	0150-9200C	Pump Casing (Model 9402C)	\$350.50
2A	1	3430-0480SP	Pump Casing (Model 9403C-SP)	\$484.90
3	1	2253-0002	Impeller Nut	\$7.68
3	1	3430-0825	Impeller Nut (Model 9403S)	\$38.81
4	1	0401-9100P	Impeller (Nylon)(standard)	\$66.54
4	1	0402-9100P	Impeller (Polypropylene)(9403S std)	\$73.46
5	1	1720-0083	O-ring	\$4.71
6	1	2120-0008	Mechanical Seal (Buna-N)	\$40.52
6	1	3430-0332	Mechanical Seal - Kit Only	\$78.73
6	1	3430-0589	Mechanical Seal (Silicon Carbide) - Kit Only	\$305.70
8	1	1410-0056	Slinger Ring	\$1.74
9	1	0750-9200C3	Mounting Flange	\$238.50
9	1	0756-9200S	Mounting Flange (Model 9403S)	\$840.66
10	1	6031-0252	Nameplate - Not Available	N/A
11	4	2210-0020	Bolt	\$1.28
11	4	2210-0125	Bolt (Model 9403S)	\$2.45
12	3	2000-0010	Ball Bearing	\$14.29
13	1	1610-0015	Key	\$2.45
14	1	3430-0844	Pump Shaft	\$184.47
15	1	1610-0004	Key	\$2.36
16	1	1820-0013	Bearing Retainer	\$1.66
17	1	1700-0100	Gasket	\$6.54
18	1	0703-9400D	Pedestal Bracket	\$440.10

9403C-540, 9403S-540

RPM	GPM at 20 PSI	GPM at 30 PSI	GPM at 40 PSI	GPM at 50 PSI	GPM at 60 PSI	GPM at 70 PSI	GPM at 80 PSI	GPM at 90 PSI	GPM at 100 PSI
450	107	99	86	50					
500	121	116	106	93	76	42			
540	129	127	120	111	98	80	50		
600	140	138	135	130	121	112	94	73	40

9403C-1000, 9403S-1000

RPM	GPM at 20 PSI	GPM at 30 PSI	GPM at 40 PSI	GPM at 50 PSI	GPM at 60 PSI	GPM at 70 PSI	GPM at 80 PSI	GPM at 90 PSI	GPM at 100 PSI
800	115	106	96	80	56				
900	129	127	120	111	98	80	50		
1000	140	139	137	133	128	119	100	76	46

9403C-540-SP

RPM	GPM at 10 PSI	GPM at 20 PSI	GPM at 30 PSI	GPM at 40 PSI	GPM at 50 PSI	GPM at 60 PSI	GPM at 70 PSI	GPM at 80 PSI	GPM at 90 PSI
500	114	113	101	83	60	27			
540	120	119	116	102	85	62	32		
600	120	120	120	119	110	97	78	54	24

9403C-1000-SP

RPM	GPM at 10 PSI	GPM at 20 PSI	GPM at 30 PSI	GPM at 40 PSI	GPM at 50 PSI	GPM at 60 PSI	GPM at 70 PSI	GPM at 80 PSI	GPM at 90 PSI
800	111	109	94	74	47	21			
900	120	119	116	102	85	62	32		
1000	120	120	120	119	110	97	78	54	24

Features:

- Closed coupled, gas engine-driven
- Max. fluid temperature: 140°F
- Housing: Cast Iron
- Impeller: Nylon
- Pump seals: Viton®/ceramic standard; Life Guard silicon carbide (B) available
- Available with PowerPro, Briggs & Stratton® or Honda® engines



Cast Iron Gas Engine-Driven Centrifugal Pumps

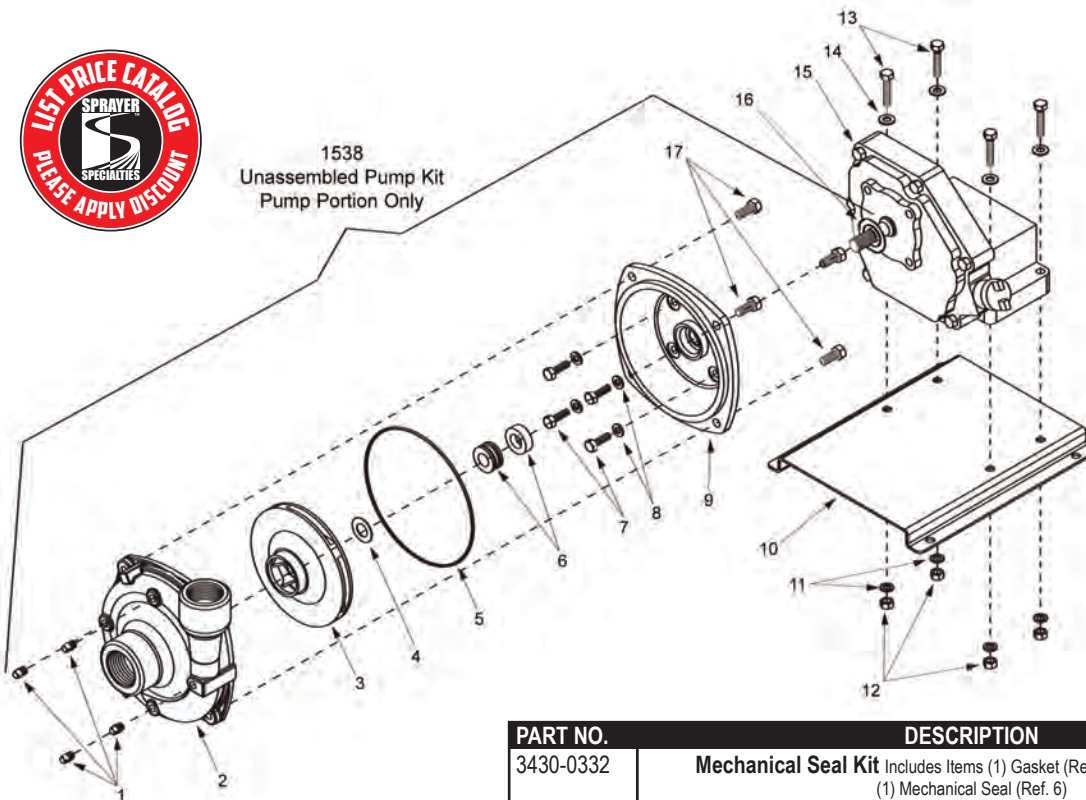
PART NUMBER	MAX GPM	MAX PSI	PORT SIZES	PUMP SEALS	ENGINE MFG & HP	LIST PRICE
1521C-65	110	80	1-1/2" FPT Inlet x 1-1/4" FPT Outlet	Viton® / Ceramic	PowerPro® 6.5 HP	\$1,713.53
1521C-65M	110	80	1-1/2" FPT Inlet x 1-1/4" FPT Outlet	Viton® / Ceramic	PowerPro® 6.5 HP w/ Mounting Base	\$1,773.62
1536	110	75	1-1/2" FPT Inlet x 1-1/4" FPT Outlet	Viton® / Ceramic	Briggs & Stratton® 5.5 HP	\$1,678.87
1539	110	75	1-1/2" FPT Inlet x 1-1/4" FPT Outlet	Viton® / Ceramic	Briggs & Stratton® 5.5 HP without Mounting Base	\$1,643.05
1537	110	80	1-1/2" FPT Inlet x 1-1/4" FPT Outlet	Viton® / Ceramic	Honda® 5.5 HP	\$2,563.94
1540	110	80	1-1/2" FPT Inlet x 1-1/4" FPT Outlet	Viton® / Ceramic	Honda® 5.5 HP without Mounting Base	\$2,587.05
1538			1-1/2" FPT Inlet x 1-1/4" FPT Outlet	Viton® / Ceramic	LESS Motor - must use 5/8" threaded shaft engine	\$768.37

1521C-65, 1521C-65M

1536, 1539

1537, 1540

GPM at 10 PSI	GPM at 20 PSI	GPM at 30 PSI	GPM at 40 PSI	GPM at 50 PSI	GPM at 60 PSI	GPM at 70 PSI	GPM at 10 PSI	GPM at 20 PSI	GPM at 30 PSI	GPM at 40 PSI	GPM at 50 PSI	GPM at 60 PSI	GPM at 10 PSI	GPM at 20 PSI	GPM at 30 PSI	GPM at 40 PSI	GPM at 50 PSI	GPM at 60 PSI	GPM at 70 PSI
110	106	96	88	80	60	30	110	106	96	87	73	50	110	106	96	88	80	60	30



PART NO.	DESCRIPTION	LIST PRICE
3430-0332	Mechanical Seal Kit Includes Items (1) Gasket (Ref. 4), (1) O-ring (Ref. 5), (1) Mechanical Seal (Ref. 6)	\$78.73
3430-0589	Silicon Carbide Seal Kit Includes Items (1) O-ring (Ref. 5), (1) Mechanical Seal (Ref. 6)	\$305.70

REF NO.	QTY REQ'D	PART NO.	DESCRIPTION	LIST PRICE
1	4	2406-0016	Drain Plug - Replaced 2406-0007	\$11.54
2	1	0152-9000C	Pump Casing (includes SS wear ring)	\$299.11
3	1	0402-9200P	Impeller - Nylon	\$175.25
4	1	1700-0100	Gasket	\$6.54
5	1	1720-0083	O-ring	\$4.71
6	1	3430-0332	Mechanical Seal (Optional Buna-N)	\$78.73
6	1	3430-0589	Mechanical Seal (Standard Viton)(KIT)	\$305.70
7	4	2210-0098	Bolt	\$3.56
8	4	1700-0119	Seal	\$9.44
9	1	0703-9200C	Flange	\$262.21
10	1	1510-0083	Mounting Plate	\$126.50
11	4	2260-0002	Lockwasher	\$1.34
12	4	2250-0003	Nut	\$1.34

REF NO.	QTY REQ'D	PART NO.	DESCRIPTION	LIST PRICE
13	4	2210-0021	Bolt	\$1.30
14	4	2270-0040	Washer	\$1.08
15	1	2541-0033	Briggs & Stratton® Engine - 135232-0032-01*	\$1,291.14
15	1	2541-0046	PowerPro Engine - 6.5 HP	\$486.41
16	1	1410-0088	Bearing Shield (5 HP Briggs)	\$29.37
16	1	1410-0105	Bearing Shield (5.5 HP Briggs)	\$24.66
17	4	2210-0020	Bolt	\$1.28

HYPRO®

GAS ENGINE-DRIVEN CENTRIFUGAL PUMPS

HYPRO PUMPS

Features:

- Closed coupled, gas engine-driven
- Max. fluid temperature: 140°F
- Housing: Cast Iron
- Impeller: Nylon
- Pump seals: Viton®/ceramic standard; Life Guard silicon carbide (B) available
- Available with PowerPro or Honda® engines



Cast Iron Gas Engine-Driven Centrifugal Pumps

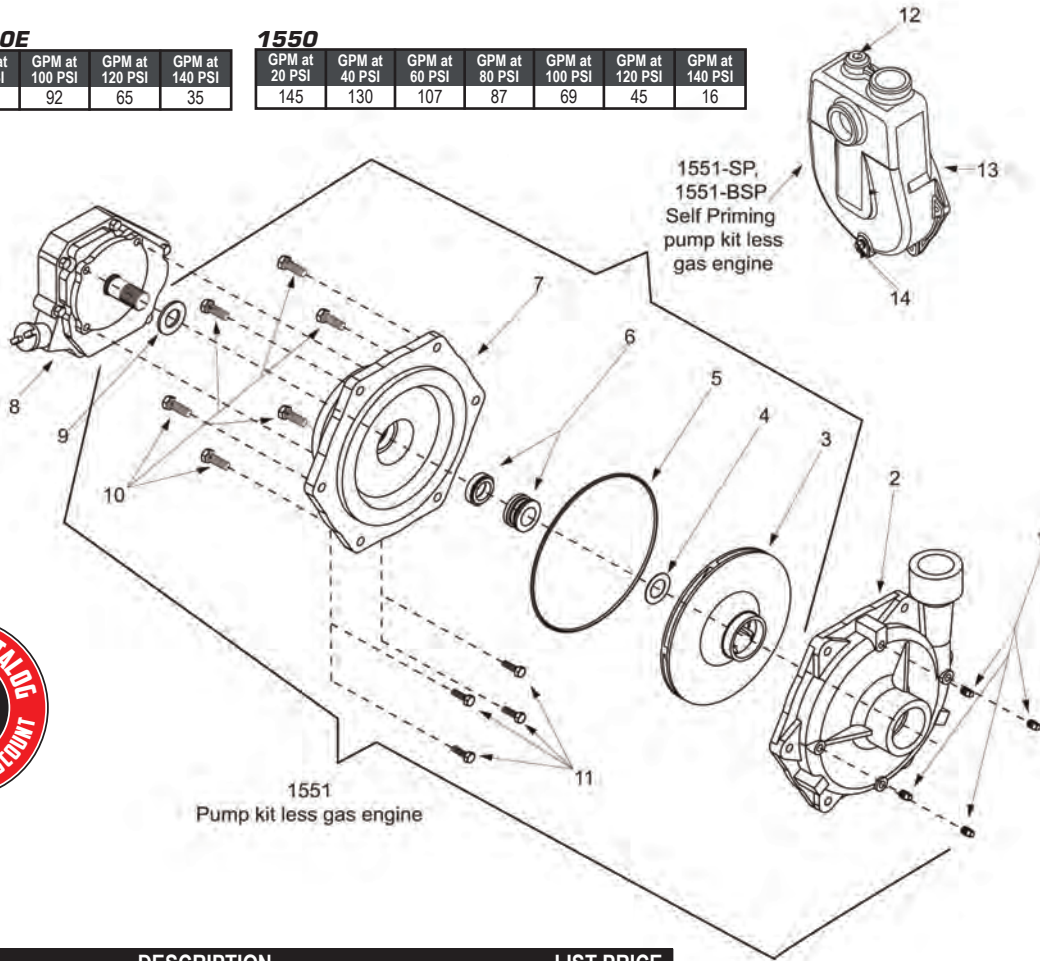
PART NUMBER	MAX GPM	MAX PSI	PORT SIZES	PUMP SEALS	ENGINE MFG & HP	LIST PRICE
1552C-130E	170	150	2" FPT Inlet x 1-1/2" FPT Outlet	Viton® / Ceramic	PowerPro® 13 HP w/ Electric Start	\$3,357.44
1550	150	140	2" FPT Inlet x 1-1/2" FPT Outlet	Viton® / Ceramic	Honda® 9 HP	\$4,027.90
1550-SP	155	135	2" FPT Inlet x 2" FPT Outlet	Viton® / Ceramic	Self-Priming - Honda® 9 HP	\$4,978.63
1551			2" FPT Inlet x 1-1/2" FPT Outlet	Viton® / Ceramic	LESS Motor - must use threaded shaft engine	\$1,454.71
1551-SP			2" FPT Inlet x 2" FPT Outlet	Viton® / Ceramic	LESS Motor - must use threaded shaft engine	\$2,404.49

1552C-130, 1552C-130E

GPM at 20 PSI	GPM at 40 PSI	GPM at 60 PSI	GPM at 80 PSI	GPM at 100 PSI	GPM at 120 PSI	GPM at 140 PSI
170	166	148	120	92	65	35

1550

GPM at 20 PSI	GPM at 40 PSI	GPM at 60 PSI	GPM at 80 PSI	GPM at 100 PSI	GPM at 120 PSI	GPM at 140 PSI
145	130	107	87	69	45	16



PART NO.	DESCRIPTION	LIST PRICE
3430-0464	Mechanical Seal Kit 1550, 1551 and 1552 Includes Items (1) Gasket (Ref. 4), (1) O-ring (Ref. 5), (1) Mechanical Seal (Ref. 6)	\$346.54

REF NO.	QTY REQ'D	PART NO.	DESCRIPTION	LIST PRICE
1	4	2406-0016	Drain Plug - Replaced 2406-0007	\$11.54
2	1	0153-9200C	Pump Casing (includes SS wear ring)	N/A
3	1	0404-9200P	Impeller (Nylon)	\$454.59
4	1	1700-0121	Gasket	\$13.56
5	1	1720-0180	O-ring	\$6.46
6	1	2120-0034	Mechanical Seal - Viton	\$336.00
7	1	0707-9200C	Flange	\$511.25

REF NO.	QTY REQ'D	PART NO.	DESCRIPTION	LIST PRICE
8	1	2541-0051	13 HP Power Pro (Electric Start)	\$1,152.35
9	1	1410-0091	Slinger Ring	\$6.66
10	6	2210-0086	Bolt	\$1.71
11	4	2210-0098	Bolt	\$3.56
12	1	2406-0034	Priming Port Plug - Self Priming (Standard)	\$7.89
13	1	0152-9075C	Pump Casing - Self Priming (Standard NPT)	\$2,046.32
14	1	2406-0002	Drain Plug - Self Priming	\$3.99

HYPRO®

GAS ENGINE-DRIVEN CENTRIFUGAL PUMPS

Features:

- Max. fluid temperature: 140°F
- Housing: Cast Iron
- Impeller: Nylon
- Pump seals: Viton®/ceramic standard; Life Guard silicon carbide (B) available
- Available with PowerPro, Briggs & Stratton® or Honda® engines
- Fill Port 3/4" NPT



Cast Iron Gas Engine-Driven Centrifugal Pumps

PART NUMBER	MAX GPM	MAX PSI	PORT SIZES	PUMP SEALS	ENGINE MFG & HP	LIST PRICE
1522C-65SP	130	65	2" FPT Inlet x 2" FPT Outlet	Viton® / Ceramic	PowerPro® 6.5 HP	\$2,663.31
1536-SP	100	65	2" FPT Inlet x 2" FPT Outlet	Viton® / Ceramic	Briggs & Stratton® 5.5 HP	\$2,227.71
1539-SP	100	65	2" FPT Inlet x 2" FPT Outlet	Viton® / Ceramic	Briggs & Stratton® 5.5 HP without mounting base	\$2,190.73
1537-SP	106	75	2" FPT Inlet x 2" FPT Outlet	Viton® / Ceramic	Honda® 5.5 HP	\$3,197.13
1540-SP	106	75	2" FPT Inlet x 2" FPT Outlet	Viton® / Ceramic	Honda® 5.5 HP without mounting base	\$3,160.16
1538-SP			2" FPT Inlet x 2" FPT Outlet	Viton® / Ceramic	LESS Motor - must use 5/8" threaded shaft engine	\$1,324.15

1522C-65SP

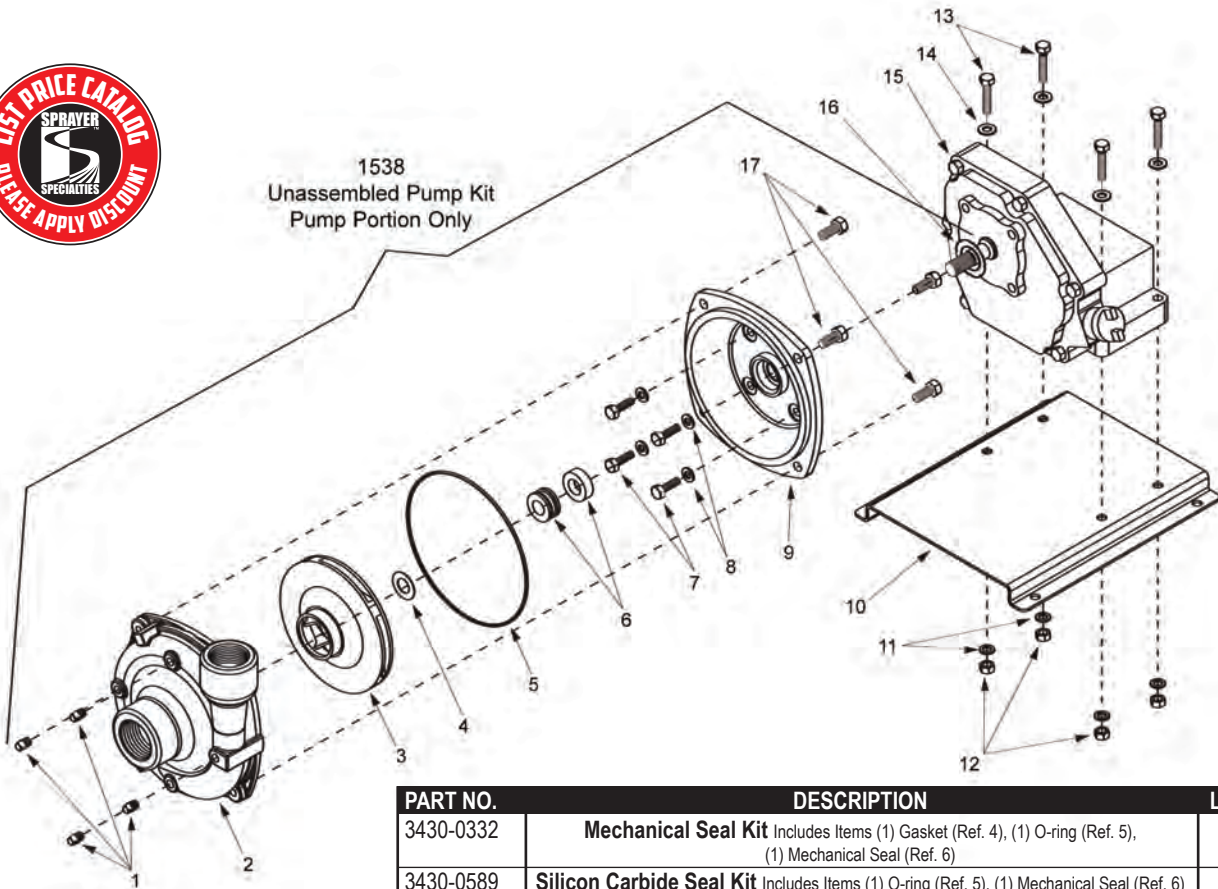
GPM at 0 PSI	GPM at 10 PSI	GPM at 20 PSI	GPM at 30 PSI	GPM at 40 PSI	GPM at 50 PSI	GPM at 60 PSI	GPM at 65 PSI
130	121	108	93	76	56	34	0

1536-SP, 1539-SP

GPM at 10 PSI	GPM at 20 PSI	GPM at 30 PSI	GPM at 40 PSI	GPM at 50 PSI	GPM at 60 PSI
92	81	67	55	40	15

1537-SP, 1540-SP

GPM at 10 PSI	GPM at 20 PSI	GPM at 30 PSI	GPM at 40 PSI	GPM at 50 PSI	GPM at 60 PSI
98	87	73	60	44	21



PART NO.	DESCRIPTION	LIST PRICE
3430-0332	Mechanical Seal Kit Includes Items (1) Gasket (Ref. 4), (1) O-ring (Ref. 5), (1) Mechanical Seal (Ref. 6)	\$78.73
3430-0589	Silicon Carbide Seal Kit Includes Items (1) O-ring (Ref. 5), (1) Mechanical Seal (Ref. 6)	\$305.70

REF NO.	QTY REQ'D	PART NO.	DESCRIPTION	LIST PRICE
1	4	2406-0001	Drain Plug	\$4.51
2	1	0152-9070C	Pump Casing (includes SS wear ring)	\$1,160.86
3	1	0402-9200P	Impeller - Nylon	\$175.25
4	1	1700-0100	Gasket	\$6.54
5	1	1720-0083	O-ring	\$4.71
6	1	3430-0332	Mechanical Seal - Kit Only	\$78.73
6	1	3430-0589	Mechanical Seal (Silicon Carbide) Kit only	\$305.70
7	4	2210-0098	Bolt	\$3.56
8	4	1700-0119	Seal	\$9.44
9	1	0703-9200C	Flange	\$262.21
10	1	1510-0083	Mounting Plate	\$126.50

REF NO.	QTY REQ'D	PART NO.	DESCRIPTION	LIST PRICE
11	4	2260-0002	Lock Washer	\$1.34
12	4	2250-0003	Nut	\$1.34
13	4	2210-0021	Bolt	\$1.30
14	4	2270-0040	Washer	\$1.08
15	1	2541-0033	Briggs & Stratton® Engine *135232-0035-01	\$1,291.14
15	1	2541-0034	Honda® Engine	\$2,654.86
16	1	1410-0088	Bearing Shield (5 HP Briggs)	\$29.37
16	1	1410-0105	Bearing Shield (5.5 HP Briggs)	\$24.66
17	4	2210-0020	Bolt	\$1.28
18	1	2406-0002	Prime Port Plug	\$3.99