

BANJ VENTURI KITS

Liquid Handling Products

Installs on discharge side of pump which keeps pump & water tank free of chemical contamination. Available in 2" and 3" plumbing (Venturi is necked to 2" Full Port Flow on both 2" & 3" Kits). Flanged Manifold plumbing components. Kits come unassembled.

VENTURI KITS

PART NUMBER	DESCRIPTION	LIST PRICE
MIS220HBAK	2" Full Port Venturi Kit - Unassembled (Pictured)	\$865.14
MIS300HBAK	3" Full Port Venturi Kit - Unassembled	\$1,494.31

POLYPROPYLENE INDUCTORS

PART NUMBER	DESCRIPTION	LIST PRICE
HV200	2" MPT Poly Venturi - Threaded	\$210.95
MHV200	2" Flanged Poly Venturi w/ 1 1/2" Port	\$193.35
MHV220A	2" Full Port Flanged Poly Venturi	\$194.32
M200TEEV075	2" Standard Port Flange Tee with Venturi	\$81.77
MV301CF	3" Flanged Ball Valve - Used in MIS300HBAK	\$300.18



Parts Breakdown on Page # 342



HYPRO® Cleanload Chemical Eductor

For Safe Loading of Chemicals into Spray Tanks

The Hypro Cleanload is a self-contained eduction system that allows the operator to mix liquid and dry chemicals safely and quickly. The Cleanload is available in three different hopper capacities to suit a variety of applications:

- 3375 Series Cleanload, 4.5 gallon version provides convenient loading capabilities in a compact configuration, Stainless Steel Venturi
- 3375 Series Cleanload, 5.5 gallon version is the most compact full-feature models and will hold a full 20-35 pound bag of dry material, Stainless Steel Venturi
- 3375 Series Cleanload, 7.0 gallon version features a wider 16-inch lid, hold a full 51 pound bag of dry material, and can be used to rinse large 20-liter (5.2 gal) jugs, Stainless Steel Venturi
- 3376 Series Cleanload, 7.0 gallon features a 16" lid, holds a full 51 pound bag of dry material, and can be use to rinse large 20-liter (5.2 gal) jugs, Poly Venturi



Parts Breakdown on Page 340

Part#	Description	Price
3375P-05T4	4.5 Gallon Cleanload™ Chemical Eductor, Stainless Steel Venturi	\$1,435.94
3375P-05T5	5.5 Gallon Cleanload™ Chemical Eductor, Stainless Steel Venturi	\$2,132.96
3375P-05T7	7.0 Gallon Cleanload™ Chemical Eductor, Stainless Steel Venturi	\$2,377.33
3376-1170	On-Board Sprayer 7.0 Gallon Cleanload™ Chemical Eductor, Right Hand Flow, Poly Venturi	\$1,304.45
3376-1171	On-Board Sprayer 7.0 Gallon Cleanload™ Chemical Eductor, Left Hand Flow, Poly Venturi	\$1,304.45
3376-1670	Transfer Pump 7.0 Gallon Cleanload™ Chemical Eductor, Right Hand Flow, Poly Venturi	\$1,304.45
3376-1671	Transfer Pump 7.0 Gallon Cleanload™ Chemical Eductor, Left Hand Flow, Poly Venturi	\$1,304.45
3430-0594	Suction Lance, Snap-in attachment for remote loading	\$304.06
3430-0596	Base Kit, for Cleanload™ frame or floor mounting	\$143.55
3371-0038	Poly Venturi, On-Board Sprayer, Right Hand Flow (Includes Flange Gaskets)	\$123.33
3371-0040	Poly Venturi, Transfer Pump, Right Hand Flow (Includes Flange Gaskets)	\$131.80



HYPRO® CLEANLOAD MAX

Large Capacity Eduction System

- Large capacity eduction system with a low ergonomic working height for safe and fast batch mixing and loading of liquid and dry chemicals.
- 40 or 60 gallon, full draining, cone-bottomed tank
- Translucent tank with molded graduations allows user to easily see fluid levels
- 2" or 3" bypass eductor plumbing system allows for direct filling of tank when not educting chemicals
- CycloRinse and ProClean bottle rinse prevent cross contamination of chemicals

PART NO.	DESCRIPTION	PRICE
3378-1640-2BYP	40 Gallon Tank, 2" Bypass, 16mm Eductor for Transfer Pump	\$2,454.13
3378-1640-3BYP	40 Gallon Tank, 3" Bypass, 16mm Eductor for Transfer Pump	\$2,681.04
3378-1660-2BYP	60 Gallon Tank, 2" Bypass, 16mm Eductor for Transfer Pump	\$2,705.47
3378-1660-3BYP	60 Gallon Tank, 3" Bypass, 16mm Eductor for Transfer Pump	\$2,953.33
3371-0045	2" Bypass Assembly Only, 16mm Eductor for Transfer Pump	\$909.18
3371-0046	3" Bypass Assembly Only, 16mm Eductor for Transfer Pump	\$1,308.43

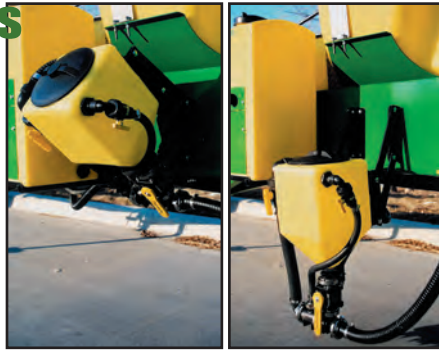
*Inductor Knife Kits are NOT available for the Hypro® Cleanload Max



Sprayer Specialties Chemical Eductor

For Sprayer Mounted Applications

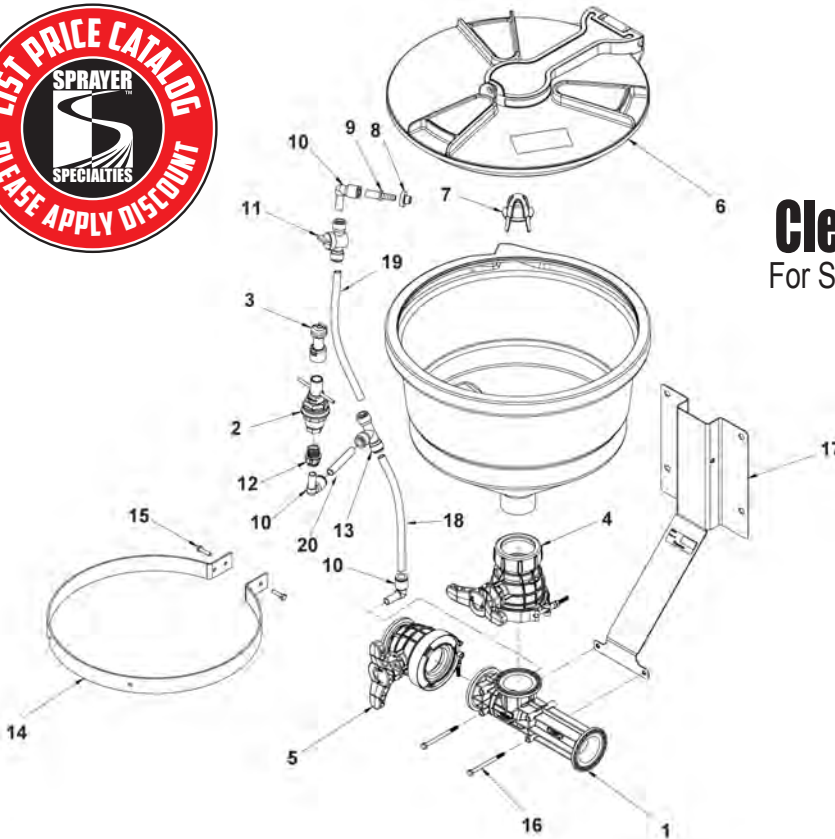
- 5 Gallon Tank
- Ammonium-Sulfate Ready
- Drops down for ease of use



The same knife that is featured in the Handler Chemical Inductor, opens chemical containers with speed and efficiency. The Handler Knife is for use with new or existing tanks with a 16" lid size only.

Part#	Price
85-HKNIFEKIT	\$890.41

Part#	Chemical Eductor Kit Description	Price
CM5-UNV-KIT	Kit Includes: Tank, Brackets, Valving, LESS Hose	\$1,107.01
CM-MOUNT-KIT	Drop Down Mounting Bracket for Chem Mixing Tank	\$340.05



HYPRO® Cleanload Chemical Eductor

For Safe Loading of Chemicals into Spray Tanks



REF NO	QTY REQ'D	PART NUMBER	DESCRIPTION	PRICE
1	1	3371-0036R	Eductor (for Model 3376-0870)	\$117.45
1	1	3371-0037R	Eductor (for Model 3376-0871)	\$117.45
1	1	3371-0038R	Eductor (for Model 3376-1170)	\$117.45
1	1	3371-0039R	Eductor (for Model 3376-1171)	\$123.33
1	1	3371-0040R	Eductor (for Model 3376-1670)	\$117.45
1	1	3371-0041R	Eductor (for Model 3376-1671)	\$117.45
2	1	PV1/2F1/2M-MA	ProClean Container Rinse	\$73.31
3	1	PC1/2F-36075	Nozzle, ProClean Container Rinse	\$73.79
4	1	7250-5000	Tank Valve	\$250.56
5	1	7250-5002	UF Valve	\$237.51
6	1	TL16-0006	Lid Kit	\$78.40
7	1	3350-0180	Strainer	\$36.55
8	1	1700-0253	Grommet	\$17.21

REF NO	QTY REQ'D	PART NUMBER	DESCRIPTION	PRICE
9	1	2404-0413	Hose Barb Fitting	\$11.83
10	3	2404-0414	Elbow Fitting (1/2")	\$14.35
11	1	6JV120120	Two-Way Valve (1/2")	\$26.47
12	1	2404-0386	Fitting	\$17.21
13	1	2404-0415	Tee Fitting (1/2")	\$29.72
14	1	1510-0128	Mounting Ring	\$66.55
15	2	2210-0201	Hex Bolt, M6x1x25	\$4.23
16	2	2210-0200	Hex Bolt, M6x1x80	\$5.45
17	1	1510-0127	Bracket	\$168.34
18	1	2407-0007	Tube Kit - Use P/N 3430-0833	N/A
19	1	2407-0005	Tube Kit - Use P/N 3430-0833	N/A
20	1	2407-0006	Tube Kit - Use P/N 3430-0833	N/A
NS	1	3430-0833	Tube Kit (Includes Ref 18, 19 & 20)	\$83.19
NS	1	CM-MOUNT-KIT	Drop Down Mounting Kit	\$340.05